



**Sound Bar  
Barre de son  
Barra de Sonido**

**SR-C30A  
ATS-C300**

---

**Safety Brochure**

**EN**

---

**Brochure sur la Sécurité**

**FR**

---

**Folleto de seguridad**

**ES**

**IMPORTANT**

Please record the serial number of this unit in the space below.

**Model**

---

**Serial No.**

---

The serial number is located on the bottom or rear of the unit. Retain this Owner's Manual in a safe place for future reference.

(1024 Ser.No)

- This applies only to products distributed by YAMAHA CANADA MUSIC

**CAN ICES-3 (B)/NMB-3(B)**

(can\_b\_02)

# FCC INFORMATION (U.S.A.)

## 1. **IMPORTANT NOTICE: DO NOT MODIFY THIS UNIT!**

This product, when installed as indicated in the instructions contained in this manual, meets FCC requirements. Modifications not expressly approved by Yamaha may void your authority, granted by the FCC, to use the product.

## 2. **IMPORTANT:** When connecting this product to accessories and/ or another product use only high quality shielded cables. Cable/s supplied with this product **MUST** be used. Follow all installation instructions. Failure to follow instructions could void your FCC authorization to use this product in the USA.

## 3. **NOTE:** This product has been tested and found to comply with the requirements listed in FCC Regulations, Part 15 for Class “B” digital devices. Compliance with these requirements provides a reasonable level of assurance that your use of this product in a residential environment will not result in harmful interference with other electronic devices. This equipment generates/uses radio frequencies and, if not installed and used according to the instructions found in the users manual, may cause interference harmful to the operation of other electronic devices. Compliance with FCC regulations does not guarantee that interference will not occur in all installations. If this product is found to be the source of interference, which can be determined by turning the unit “OFF” and “ON”, please try to eliminate the problem by using one of the following measures:

- Relocate either this product or the device that is being affected by the interference.
- Utilize power outlets that are on different branch (circuit breaker or fuse) circuits or install AC line filter/s.
- In the case of radio or TV interference, relocate/reorient the antenna. If the antenna lead-in is 300 ohm ribbon lead, change the lead-in to co-axial type cable.

If these corrective measures do not produce satisfactory results, please contact the local retailer authorized to distribute this type of product. If you can not locate the appropriate retailer, please contact Yamaha Corporation of America, 6600 Orangethorpe Ave., Buena Park CA90620 The above statements apply **ONLY** to those products distributed by Yamaha Corporation of America or its subsidiaries.

(0529-M02 FCC class B)

# COMPLIANCE INFORMATION STATEMENT (Supplier’s declaration of conformity procedure)

Responsible Party : Yamaha Corporation of America  
Address : 6600 Orangethorpe Avenue, Buena Park, CA 90620  
Telephone : 714-522-9011  
Type of Equipment : Sound Bar  
Model Name : SR-C30A, ATS-C300

This device complies with Part 15 of FCC Rules. Operation is subject to the following two conditions: (1) this device may not cause harmful interference, and (2) this device must accept any interference received, including interference that may cause undesired operation.

(0529-M06 FCC sDoc)

## **NOTICE (For U.S.A.)**

- This equipment complies with FCC radiation exposure limits set forth for an uncontrolled environment and meets the FCC radio frequency (RF) Exposure Guidelines. This equipment should be installed and operated keeping the radiator at least 20 cm or more away from person’s body.
- This transmitter must not be co-located or operated in conjunction with any other antenna or transmitter.

## **NOTICE (For Canada)**

- This equipment complies with ISED radiation exposure limits set forth for an uncontrolled environment and meets RSS-102 of the ISED radio frequency (RF) Exposure rules. This equipment should be installed and operated keeping the radiator at least 20 cm or more away from person’s body.
- This device contains licence-exempt transmitter(s)/receiver(s) that comply with Innovation, Science and Economic Development Canada’s licence-exempt RSS(s). Operation is subject to the following two conditions:
  - 1. This device may not cause interference.
  - 2. This device must accept any interference, including interference that may cause undesired operation of the device.

# PRECAUTIONS

## PLEASE READ CAREFULLY BEFORE USE. BE SURE TO FOLLOW THESE INSTRUCTIONS.

The precautions listed below are to prevent risk of harm to the user and others, as well as to prevent property damage, and to help the user use this unit properly and safely. Be sure to follow these instructions.

After reading this manual, be sure to keep it in a safe place where it can be referenced at any time.

- Be sure to request inspections or repairs from the dealer where you purchased the unit or from qualified Yamaha service personnel.
- Yamaha cannot be held responsible for injury to you or damage of the products caused by improper use or modifications to the unit, or data that is lost or destroyed.
- This product is for ordinary homes. Do not use for applications requiring high reliability, such as managing lives, health care or high-value assets.



### **WARNING**

This content indicates “risk of serious injury or death.”

### **If you notice any abnormality**

- If any of the following abnormalities occur, immediately turn off the power and disconnect the power plug.
  - The power cord/plug is damaged.
  - An unusual smell, unusual sound or smoke is emitted from the unit.
  - Foreign material or water gets into the interior of the unit.

- There is a loss of sound during use.
- There is a crack or damage in the unit.

Continued use could cause electric shocks, a fire, or malfunctions. Immediately request an inspection or repair from the dealer where you purchased the unit from qualified Yamaha service personnel.

### **Power supply**

- Do not do anything that could damage the power cord.
  - Do not place it near a heater.
  - Do not bend it excessively or alter it.
  - Do not scratch it.
  - Do not place it under a heavy object.Using the power cord with the core of the cord exposed could cause electric shocks or a fire.
- Do not touch the power plug or cord if there is a chance of lightning. Failure to observe this may cause electric shocks.
- Use this unit with the power supply voltage printed on it. Failure to connect to an appropriate AC outlet may cause a fire, electric shocks, or malfunctions.
- Be sure to use the supplied AC adaptor and power cord. Failure to observe the above may cause a fire, burns, or malfunctions.
- Do not use the supplied AC adaptor and power cord for other units. Failure to observe the above may cause a fire, burns, or malfunctions.
- Check the electric plug periodically and remove any dirt or dust which may have accumulated on it. Failure to observe this may cause a fire or electric shocks.
- When setting up the unit, make sure that the AC outlet you are using is easily accessible. If some trouble or malfunction occurs, immediately turn off the power switch and disconnect the plug from the AC outlet. Even when the power switch is turned off, as long as the power cord is not unplugged from the wall AC outlet, the unit will not be disconnected from the power source.
- If not using the unit for long periods of time, be sure to pull the power plug from the AC outlet. Failure to observe this may cause a fire or malfunctions.

## Installation

---

- Install in the manner instructed in the manual.  
Falling or toppling may result in injury or damage.

## Do not disassemble

---

- Do not disassemble or modify this unit.  
Failure to observe this may cause a fire, electric shocks, injury, or malfunctions.

## Water warning

---

- Do not expose the unit to rain, use it near water or in damp or wet conditions, or place on it any containers (such as vases, bottles or glasses) containing liquids which might spill into any openings or places where water may drop. A liquid such as water getting into the unit may cause a fire, electric shocks, or malfunctions.
- Never insert or remove an electric plug with wet hands. Do not handle this unit with wet hands.  
Failure to observe this may cause electric shocks or malfunctions.

## Fire warning

---

- Do not place any burning items or open flames near the unit, since they may cause a fire.

## Handling caution

---

- Be careful not to drop or apply strong impact to this unit.  
Failure to observe this may cause electric shocks, a fire, or malfunctions.

## Battery for the remote control

---



- **DO NOT INGEST BATTERY, CHEMICAL BURN HAZARD**  
The remote control supplied with this product contains a coin/button cell battery. If the coin/button cell battery is swallowed, it can cause severe internal burns in just 2 hours and can lead to death.  
Keep new and used batteries away from children. If the battery compartment does not close securely, stop using the product and keep it away from children.  
If you think batteries might have been swallowed or placed inside any part of the body, seek immediate medical attention.

- Do not disassemble a battery.  
If the contents of the battery get on your hands or in your eyes, it can cause blindness or chemical burns.
- Do not dispose of a battery in fire.
- Do not expose the battery to conditions of extreme low air pressure, cold or heat (such as in direct sunlight or a fire) or excessive dust or humidity.  
Doing so may result in the battery bursting, causing a fire or injury.
- Do not attempt to recharge batteries that are not intended to be charged.  
Charging could cause the battery to burst or leak, which can cause blindness, chemical burns, or injury.
- If the batteries do leak, avoid contact with the leaked fluid.  
If the battery fluid should come in contact with your eyes, mouth, or skin, wash immediately with water and consult a doctor. Battery fluid is corrosive and may possibly cause loss of sight or chemical burns.

## Wireless unit

---

- Do not use this unit near medical devices or inside medical facilities.  
Radio waves from this unit may affect electro-medical devices.
- Do not use this unit within 15 cm (6 in) of persons with a heart pacemaker implant or a defibrillator implant.  
Radio waves from this unit may affect electro-medical devices, such as a heart pacemaker implant or defibrillator implant.



## CAUTION

This content indicates “risk of injury.”

---

### Power supply

- Do not cover or wrap the AC adaptor with a cloth or blanket. Failure to observe this may trap heat, causing deformation in the case or a fire.
- Do not use an AC outlet where the power plug fits loosely when inserted. Failure to observe this may cause a fire, electric shocks, or burns.
- When disconnecting the power plug, always hold the plug itself and not the cord. Pulling by the cord can damage it and cause electric shocks or a fire.
- Insert the power plug firmly all the way into the AC outlet. Using the unit when it is not plugged in sufficiently can cause dust to accumulate on the plug, causing a fire or burns.

---

### Installation

- Do not place the unit in an unstable position where it might accidentally drop or fall over and cause injuries.
- When installing this unit, do not obstruct heat dissipation.
  - Do not cover it with any cloth.
  - Do not install it on a carpet or rug.
  - Do not block this unit's ventilation holes (cooling slits). (Refer to Fig. 1 on page 6.)
  - Do not install the unit in other ways than indicated.
  - Do not use the device in a confined, poorly-ventilated location.Failure to observe the above may trap heat inside the unit, causing a fire or malfunctions. Ensure that there is adequate space around the sound bar: at least 10 cm (4 in) on top, 10 cm (4 in) on the sides, and 10 cm (4 in) on the rear. Ensure that there is adequate space around the subwoofer: at least 20 cm (8 in) on top, 20 cm (8 in) on the sides, and 20 cm (8 in) on the rear.
- Do not install the unit in places where it may come into contact with corrosive gases or salt air or places that have excessive smoke or steam. Doing so may result in malfunction.
- Avoid being near the unit during a disaster, such as an earthquake.

Since the unit may turn over or fall and cause injury, quickly move away from the unit and go to a safe place.

- Before moving this unit, be sure to turn off the power switch and disconnect all connection cables. Failure to observe this may damage the cables or cause you or someone else to trip and fall.
- For proper mounting the sound bar on a wall, make sure to have it done by the dealer from where you purchased the unit or by qualified service personnel. Failure to observe this may cause the installation to fall and result in injury. Installation requires special skills and experience.

---

### Hearing loss

- Do not use the unit for a long period of time at a high or uncomfortable volume level, since this can cause permanent hearing loss. If you experience any hearing loss or ringing in the ears, consult a physician.
- Before connecting the unit to other devices, turn off the power for all devices. Failing to do so may result in hearing loss, electric shock, or device damage.

---

### Maintenance

- Remove the power plug from the AC outlet before cleaning the unit. Failure to observe this may cause electric shocks.

---

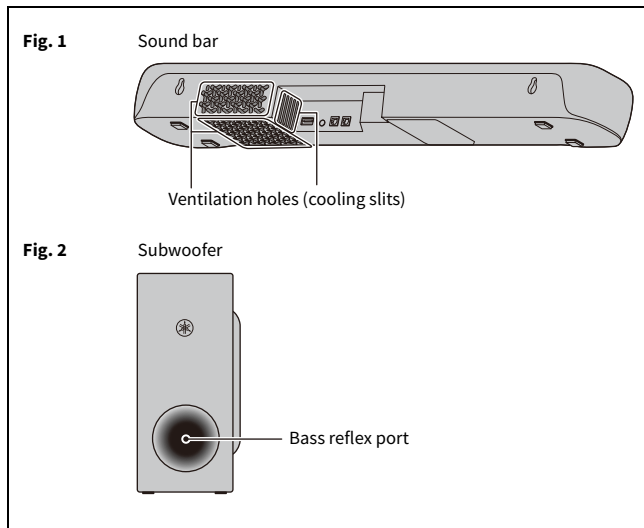
### Handling caution

- Do not insert your hand or fingers into the bass reflex port of the subwoofer. (Refer to Fig. 2 on page 6.) Failure to observe this may cause injury.
- Do not insert foreign materials such as metal or paper into the ventilation holes (cooling slits) of the sound bar and the bass reflex port of the subwoofer. (Refer to Figs. 1 and 2 on page 6.) Failure to observe this may cause a fire, electric shocks, or malfunctions.
- Keep small parts out of the reach of infants. Your children may accidentally swallow them.
- Do not do the following:
  - stand on or sit on the equipment.
  - put heavy items on top of the equipment.

- place the equipment in a stack.
  - apply unreasonable force to buttons, switches, input/output terminals, etc.
  - hang on the sound bar installed on a wall.
  - lean against the sound bar installed on a wall.
- Failure to observe this may cause injuries or damage to the equipment.
- Avoid pulling the connected cables to prevent injuries or damage to the unit by causing it to fall.

## Battery for the remote control

- Do not use batteries other than specified batteries.  
Doing so may cause fire or burns, or result in fluid leakage that may cause skin inflammation.
- Do not put in a pocket or bag, carry, or store batteries together with pieces of metal.  
The battery could short, burst, or leak, causing a fire or injury.
- Always make sure all batteries are inserted in conformity with the +/- polarity markings.  
Failure to do so might result in a fire, burns, or inflammation due to fluid leaks.
- When the batteries run out, or if the unit is not to be used for a long time, remove the batteries from the remote control to prevent possible leakage of the battery fluid.
- When storing or discarding batteries, insulate the terminal area by applying tape, or some other protection.  
Mixing them with other batteries or metal objects can cause a fire, burns, or inflammation due to fluid.



## Notice

Indicates points that you must observe in order to prevent product failure, damage or malfunction and data loss.

### Power supply

- If not using the unit for a long period of time, be sure to pull the power plug from the outlet. Even if this unit is turned off by [⏻](Standby/On), a minute current is still flowing.

## Installation

---

- Do not use this unit in a location that is exposed to direct sunlight that becomes extremely hot, such as near a heater, or extremely cold, or that is subject to excessive dust or vibration. Failure to observe this may cause the unit's panel to become deformed, the internal components to malfunction, or for operation to become unstable.
- If using a wireless function, avoid installing this unit near metal walls or desks, microwave ovens, or other wireless network devices. Obstructions could shorten the transmission distance.

## Connections

---

- If connecting external units, be sure to thoroughly read the manual for each unit and connect them in accordance with the instructions. Failure to properly handle a unit in accordance with the instructions could cause malfunctions.
- Do not connect this unit to industrial units. This unit has been designed to connect to a consumer-use unit. Connection to an industrial unit could cause this unit to malfunction.

## Handling

---

- Do not place vinyl, plastic, or rubber products on this unit. Failure to observe this may cause discoloration or deformation in the panel of this unit.
- If the ambient temperature changes drastically (such as during unit transportation or under rapid heating or cooling) and there is a chance condensation may have formed in the unit, leave the unit for several hours without turning on the power until it is completely dry before use. Using the unit while there is condensation can cause malfunctions.

## Maintenance

---

- When cleaning the unit, use a dry, soft cloth. Using chemicals such as benzine or thinner, cleaning agents, or chemical scrubbing cloths can cause discoloration or deformation.

## Speakers

---

- Do not touch the speaker units. Failure to observe this may damage the speaker units.

## Disposal or transfer

---

- Be sure to discard used batteries in accordance with local regulations.
- If you plan to transfer ownership of this product, include this document and the supplied accessories along with the product.
- Follow the rules of your local authority to dispose of this product and its accessories.

This product contains a battery that contains perchlorate material. Perchlorate Material—special handling may apply, See [www.dtsc.ca.gov/hazardouswaste/perchlorate](http://www.dtsc.ca.gov/hazardouswaste/perchlorate).  
\* This applies only to products distributed by Yamaha Corporation of America.

(0583 Perchlorate)



# Information

## About functions included in the unit

---

- Air may be blown out from the bass reflex port. (Refer to Fig. 2 on page 6.) This is not a malfunction. This occurs particularly often when outputting music with heavy bass.

## About the name plate of the unit

---

- Sound bar

The model number, serial number, power requirements, etc., may be found on or near the name plate, which is at the bottom of the unit. You should note this serial number in the space provided below and retain this manual as a permanent record of your purchase to aid identification in the event of theft.

**Model No.**

---

**Serial No.**

---

(bottom\_en\_02)

**AVIS (Pour le Canada)**

- Cet équipement est conforme aux limites d'exposition aux rayonnements énoncées pour un environnement non contrôlé et respecte les règles d'exposition aux fréquences radioélectriques (RF) CNR-102 de l'ISDE. Cet équipement doit être installé et utilisé en gardant une distance de 20 cm ou plus entre le radiateur et le corps humain.
- L'émetteur/récepteur exempt de licence contenu dans le présent appareil est conforme aux CNR d'Innovation, Sciences et Développement économique Canada applicables aux appareils radio exempts de licence. L'exploitation est autorisée aux deux conditions suivantes :
  - 1. L'appareil ne doit pas produire de brouillage;
  - 2. L'appareil doit accepter tout brouillage radioélectrique subi, même si le brouillage est susceptible d'en compromettre le fonctionnement.

<b>CAN ICES-3 (B)/NMB-3(B)</b>
--------------------------------

(can\_b\_02)

# PRÉCAUTIONS D'USAGE

## LISEZ ATTENTIVEMENT AVANT DE PROCÉDER À TOUTE UTILISATION. VEILLEZ À SUIVRE CES INSTRUCTIONS.

**Les mises en garde énumérées ci-dessous sont destinées à prévenir les risques pour l'utilisateur et les tiers, à éviter les dommages matériels et à aider l'utilisateur à se servir de l'appareil correctement et en toute sécurité. Assurez-vous de suivre ces instructions.**

Après avoir consulté ce manuel, conservez-le dans un endroit sûr de façon à pouvoir vous y reporter facilement.

- Veillez à faire inspecter ou réparer l'appareil par le revendeur auprès duquel vous l'avez acheté ou par un technicien Yamaha qualifié.
- Yamaha ne peut être tenu responsable des dommages corporels ou matériels causés par une mauvaise utilisation ou par des modifications apportées à l'appareil.
- Ce produit est conçu pour un usage courant dans les résidences standard. Ne l'utilisez pas pour des applications nécessitant une haute fiabilité, telles que la gestion des gestes essentiels à la vie, des soins de santé ou des biens de grande valeur.



## AVERTISSEMENT

Ce contenu indique « un risque de blessures graves ou de mort ».

### En cas d'anomalie

- Si l'un des problèmes suivants se produit, coupez immédiatement l'alimentation et retirez la fiche d'alimentation.
    - Le cordon/la fiche d'alimentation est endommagé(e).
    - Une odeur inhabituelle, un bruit bizarre ou de la fumée se dégage de l'appareil.
    - Un corps étranger ou de l'eau a pénétré à l'intérieur de l'appareil.
    - Une brusque perte de son est survenue durant l'utilisation de l'appareil.
    - L'appareil est fissuré ou endommagé.
- En continuant d'utiliser l'appareil dans ces conditions, vous risquez de provoquer des décharges électriques, un incendie ou des dysfonctionnements. Faites immédiatement inspecter ou réparer l'appareil par le revendeur auprès duquel vous l'avez acheté ou par un technicien Yamaha qualifié.

### Alimentation

- Ne faites rien qui pourrait endommager le cordon d'alimentation.
    - Ne le placez pas à proximité d'un radiateur.
    - Évitez de le plier excessivement ou de le modifier.
    - Évitez de l'érafler.
    - Ne placez pas dessus d'objets lourds.
- L'utilisation du cordon d'alimentation en ayant le conducteur du cordon exposé pourrait provoquer des décharges électriques ou un incendie.
- En cas de risque d'impact de foudre à proximité de l'appareil, évitez de toucher la fiche d'alimentation.

Le non-respect de cette consigne peut entraîner des chocs électriques.
  - Assurez-vous d'utiliser l'appareil avec la tension d'alimentation qui y est imprimée.

L'absence de raccordement à une prise secteur appropriée pourrait provoquer un incendie, des chocs électriques ou des dysfonctionnements.
  - Veillez à utiliser l'adaptateur secteur et le cordon d'alimentation fournis.

Le non-respect des consignes précédentes risque d'entraîner un incendie, des brûlures ou des dysfonctionnements.

- Évitez de recourir à un adaptateur secteur et à un cordon d'alimentation fournis avec d'autres appareils.  
Le non-respect des consignes précédentes risque d'entraîner un incendie, des brûlures ou des dysfonctionnements.
- Vérifiez périodiquement l'état de la prise électrique, dépoussiérez-la et nettoyez-la en prenant soin de retirer toutes les impuretés qui pourraient s'y accumuler.  
Le non-respect de cette consigne peut entraîner un incendie ou des chocs électriques.
- Lors de l'installation de l'appareil, assurez-vous que la prise secteur que vous utilisez est facilement accessible.  
En cas de problème ou de dysfonctionnement, désactivez immédiatement l'interrupteur d'alimentation et retirez la fiche de la prise secteur. Même lorsque l'interrupteur d'alimentation est en position désactivée, l'appareil n'est pas déconnecté de la source d'électricité tant que le cordon d'alimentation reste branché à la prise murale.
- Si vous prévoyez de ne pas utiliser l'appareil pendant une longue période de temps, assurez-vous de retirer la fiche d'alimentation de la prise secteur.  
Le non-respect de cette consigne peut entraîner un incendie ou des dysfonctionnements.

## Installation

---

- Installez-le selon les instructions fournies dans le manuel.  
La chute ou le renversement du produit peut entraîner des blessures ou des dommages matériels.

## Démontage interdit

---

- Ne tentez pas de démonter ou de modifier l'appareil.  
Le non-respect de cette procédure risque d'entraîner un incendie, des chocs électriques, des blessures ou des dysfonctionnements.

## Avertissement relatif à la présence d'eau

---

- N'exposez pas l'appareil à la pluie, ne l'utilisez pas près d'une source d'eau ou dans un milieu humide et ne posez pas dessus des récipients (tels que des vases, des bouteilles ou des verres) contenant des liquides qui risqueraient de s'infiltrer par

les ouvertures ou de dégouliner. Toute infiltration de liquide tel que de l'eau à l'intérieur de l'appareil risque de provoquer un incendie, des chocs électriques ou des dysfonctionnements.

- N'essayez jamais de retirer ou d'insérer une fiche électrique avec les mains mouillées. Ne manipulez pas l'appareil en ayant les mains mouillées.  
Le non-respect de cette procédure risque d'entraîner des chocs électriques ou des dysfonctionnements.

## Prévention contre les incendies

---

- Ne placez pas d'objets brûlants ou de flammes nues à proximité de l'appareil, au risque de provoquer un incendie.

## Précautions d'utilisation

---

- Veillez à ne pas faire tomber l'appareil et à ne pas lui appliquer une pression excessive.  
Le non-respect de cette procédure risque d'entraîner des chocs électriques, un incendie ou des dysfonctionnements.

## Pile de la télécommande

---



- N'AVEZ PAS LES PILES SOUS PEINE DE BRÛLURE CHIMIQUE.  
La télécommande fournie avec ce produit contient une pile bouton. Si la pile bouton est avalée, elle peut provoquer de graves brûlures internes en seulement 2 heures et entraîner la mort.  
Tenez les piles neuves et usées hors de portée des enfants. Si le compartiment des piles ne se ferme pas complètement, cessez d'utiliser le produit et tenez-le hors de portée des enfants.  
Si vous pensez que des piles ont pu être avalées ou placées à l'intérieur du corps humain, consultez immédiatement un médecin.
- Ne démontez pas la pile.  
Tout contact du contenu des piles avec les mains ou les yeux peut entraîner la cécité ou provoquer des brûlures chimiques.
- Ne jetez pas la pile au feu.

- Évitez d'exposer la pile à des conditions comme une pression d'air extrêmement faible, à un froid ou à une chaleur extrême (comme les rayons directs du soleil ou un feu) ou à une poussière ou une humidité excessive. Cela pourrait causer l'explosion des piles et provoquer un incendie ou des blessures.
- Ne tentez pas de recharger une pile non rechargeable. La charge risque de provoquer une explosion ou une fuite de la pile, ce qui pourrait causer la cécité, des brûlures chimiques ou des blessures.
- En cas de fuite du liquide des piles, évitez tout contact avec ce liquide. En cas de contact avec les yeux, la bouche ou la peau, rincez-vous immédiatement à l'eau claire et consultez un médecin. Le liquide présent dans les piles est corrosif et peut provoquer la cécité ou des brûlures chimiques.

## Appareil sans fil

---

- N'utilisez pas cet appareil à proximité d'appareils médicaux ou au sein d'établissements médicaux. Les ondes radio transmises par l'unité peuvent affecter les appareils électro-médicaux.
- N'utilisez pas cet appareil à moins de 15 cm des personnes disposant d'un stimulateur cardiaque ou d'un défibrillateur. Les ondes radio émanant de cette unité peuvent affecter le fonctionnement des équipements électro-médicaux tels que les stimulateurs cardiaques ou les défibrillateurs cardiaques.



## ATTENTION

Ce contenu indique « un risque de blessures ».

## Alimentation

---

- Ne couvrez jamais l'adaptateur secteur d'un tissu ou d'une couverture. Le non-respect de cette consigne risque de provoquer une rétention de chaleur à l'intérieur de l'appareil, susceptible de déformer celui-ci ou de provoquer un incendie.

- N'utilisez pas une prise secteur dans laquelle la fiche d'alimentation ne peut pas s'insérer fermement. Le non-respect de cette consigne peut entraîner un incendie, des chocs électriques ou des brûlures.
- Lorsque vous débranchez la fiche d'alimentation, tenez toujours la fiche elle-même, pas le cordon. Si vous tirez sur le cordon, vous risquez de l'endommager et de provoquer des chocs électriques ou un incendie.
- Introduisez complètement la fiche d'alimentation dans la prise secteur. L'utilisation de l'appareil alors que la fiche d'alimentation n'est pas complètement insérée dans la prise peut entraîner une accumulation de poussière sur la fiche et provoquer un incendie ou des brûlures.

## Installation

---

- Ne placez pas l'appareil dans une position instable afin d'éviter qu'il ne tombe ou se renverse accidentellement et ne provoque des blessures.
- Lors de l'installation de cet appareil, n'obstruez pas les orifices prévus pour la dissipation de la chaleur.
  - Évitez de couvrir l'appareil avec un tissu.
  - N'installez pas l'appareil sur une moquette ou un tapis.
  - Évitez d'obstruer les orifices de ventilation (fentes de refroidissement) de l'appareil. (Reportez-vous à la Fig. 1 à la page 6.)
  - N'installez pas l'appareil d'une autre façon que celle indiquée.
  - N'utilisez pas l'appareil dans un lieu clos, mal aéré.
 Le non-respect de ce qui précède risque d'entraîner une rétention de chaleur à l'intérieur de l'appareil, susceptible de provoquer un incendie ou des dysfonctionnements. Assurez-vous qu'il y a un espace suffisant autour de la barre de son : au moins 10 cm en haut, 10 cm sur les côtés et 10 cm au dos. Assurez-vous qu'il y a un espace suffisant autour du caisson de basses : au moins 20 cm en haut, 20 cm sur les côtés et 20 cm au dos.
- N'installez pas l'appareil dans un emplacement où il pourrait entrer en contact avec des gaz corrosifs ou de l'air à haute teneur en sel ou être exposé à des fumées ou à des vapeurs excessives. Cela pourrait provoquer des dysfonctionnements.
- Évitez d'être à proximité de l'appareil lors de la survenue d'une catastrophe naturelle telle qu'un tremblement de terre. Compte tenu du risque de renversement ou de chute de l'appareil pouvant entraîner des blessures, pensez à vous éloigner rapidement de l'appareil et à vous réfugier dans un lieu sûr.

- Avant de déplacer l'appareil, veillez à désactiver l'interrupteur d'alimentation et à déconnecter tous les câbles de connexion.  
Le non-respect de cette consigne peut entraîner l'endommagement des câbles ou provoquer le trébuchement et la chute de l'utilisateur, s'il s'agit de vous-même ou d'autres personnes.
- Pour un montage correct de la barre de son sur un mur, veillez à le confier au revendeur auprès duquel vous avez acheté l'appareil ou à un technicien qualifié.  
Le non-respect de cette consigne peut provoquer la chute de l'installation et entraîner des blessures. L'installation nécessite des compétences spéciales et de l'expérience.

## Perte de capacités auditives

---

- N'utilisez pas l'appareil de manière prolongée à un niveau sonore trop élevé ou inconfortable pour l'oreille, au risque d'endommager irrémédiablement votre ouïe. Si vous constatez une baisse d'acuité auditive ou que vous entendez des sifflements, consultez un médecin.
- Avant de raccorder l'appareil à d'autres dispositifs, mettez tous les dispositifs concernés hors tension.  
Le non-respect de ces mesures peut provoquer une perte d'acuité auditive, entraîner un risque d'électrocution ou endommager l'équipement.

## Entretien et soins

---

- Retirez la fiche d'alimentation de la prise secteur avant de procéder au nettoyage de l'appareil.  
Le non-respect de cette consigne peut entraîner des chocs électriques.

## Précautions d'utilisation

---

- N'insérez pas votre main ou vos doigts dans le port bass-reflex du caisson de basses. (Reportez-vous à la Fig. 2 à la page 6.)  
Le non-respect de cette consigne peut provoquer des blessures.
- N'insérez pas de corps étrangers comme du métal ou du papier dans les orifices de ventilation (fentes de refroidissement) de la barre de son et du port bass-reflex du caisson de basses. (Reportez-vous aux Figs. 1 et 2 à la page 6.)
- Assurez-vous de conserver les petits composants hors de portée des jeunes enfants.  
Ceux-ci pourraient les avaler accidentellement.

- Évitez de faire ce qui suit :
  - Ne vous asseyez pas sur le produit et ne le piétez pas.
  - Ne placez pas d'objets lourds sur le produit.
  - Ne disposez pas le produit en pile.
  - N'appliquez pas de force excessive sur les touches, les commutateurs, les bornes d'entrée/sortie, etc.
  - N'accrochez rien à la barre de son installée sur un mur.
  - Ne vous appuyez pas contre la barre de son installée sur un mur.Le non-respect de cette consigne peut entraîner des dommages corporels ou matériels.
- Évitez de débrancher les câbles connectés afin de ne pas causer de blessures ou de dommages matériels qui pourraient résulter de la chute de l'appareil.

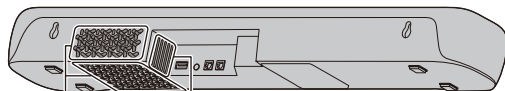
## Pile de la télécommande

---

- N'utilisez pas de piles autres que les piles spécifiées.  
Cela pourrait provoquer un incendie ou des brûlures, ou entraîner des fuites de liquide susceptibles de provoquer une inflammation de la peau.
- Ne conservez pas les piles dans une poche ou un sac contenant des pièces en métal et évitez de transporter ou de stocker des piles avec des éléments métalliques.  
Cela pourrait court-circuiter les piles, les faire exploser ou déverser leur liquide et provoquer un incendie ou des blessures.
- Veillez à respecter la polarité (+/-) lors de la mise en place des piles.  
Le non-respect de ces instructions risque de provoquer un incendie, des brûlures ou l'apparition de flammes en raison d'une fuite du liquide des piles.
- Lorsque les piles sont déchargées ou que vous n'utilisez pas l'appareil pendant une longue période, retirez les piles de la télécommande pour éviter toute fuite de liquide des piles.
- Avant de procéder au stockage ou à la mise au rebut des piles, veillez à isoler la zone des bornes en appliquant dessus un ruban adhésif ou tout autre type de protection.  
Si vous mélangez les piles à d'autres piles ou à des objets métalliques, vous risquez de provoquer un incendie, des brûlures ou l'apparition de flammes dues à la fuite du liquide des piles.

**Fig. 1**

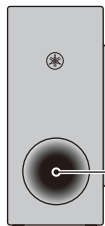
Barre de son



Orifices de ventilation (fentes de refroidissement)

**Fig. 2**

Caisson de basses



Port bass-reflex

## Avis

Indique des points à observer afin d'empêcher la panne, le dommage ou le dysfonctionnement du produit et la perte des données.

### Alimentation

- Si vous prévoyez de ne pas utiliser l'appareil pendant une longue période de temps, assurez-vous de retirer le cordon d'alimentation de la prise secteur. Même si cet appareil est éteint par [⏻](Veille/Marche), un courant minime circule encore.

## Installation

- N'utilisez pas l'appareil dans un emplacement exposé à la lumière directe du soleil, à une température très élevée (à proximité d'un appareil de chauffage) ou très basse, à un dépôt de poussière excessif ou à de fortes vibrations. Le non-respect de cette consigne pourrait provoquer la déformation du panneau de l'appareil, le dysfonctionnement de ses composants internes ou l'instabilité de son fonctionnement.
- Si vous utilisez une fonction sans fil, évitez d'installer cet appareil à proximité de parois métalliques ou de bureaux en métal, de fours à micro-ondes ou d'autres dispositifs de réseau sans fil. Les obstructions pourraient raccourcir la distance de transmission.

## Connexions

- En cas de connexion d'unités externes, assurez-vous de lire attentivement le mode d'emploi de l'appareil concerné et reliez-le conformément aux instructions fournies. La non conformité aux instructions de manipulation peut provoquer le dysfonctionnement de l'appareil.
- Ne connectez pas l'appareil à des unités industrielles. Cet appareil a été conçu pour une connexion à une unité destinée aux consommateurs. La connexion à une unité industrielle pourrait provoquer son dysfonctionnement.

## Manipulation

- Ne placez pas de produits en vinye, en plastique ou en caoutchouc sur l'appareil. Le non-respect de cette consigne pourrait décolorer ou déformer son panneau.
- Si la température ambiante change radicalement (comme pendant le transport de l'unité ou dans des conditions de surchauffe ou de refroidissement rapides) et que de la condensation se forme dans l'unité, laissez l'appareil hors tension pendant plusieurs heures jusqu'à ce qu'il soit complètement sec avant de le réutiliser. L'utilisation de l'appareil en cas de formation de condensation peut entraîner son dysfonctionnement.

## **Entretien**

---

- Utilisez un chiffon doux et sec pour le nettoyage de l'appareil. L'utilisation de produits chimiques tels que de la benzène ou du diluant, de produits d'entretien ou de chiffons de lavage chimique peut causer la décoloration ou la déformation de l'appareil.

## **Haut-parleurs**

---

- Ne touchez pas les unités de haut-parleur, Le non-respect de cette consigne peut endommager les unités de haut-parleur.

## **Mise au rebut ou transfert**

---

- Veillez à mettre au rebut les piles usagées selon la réglementation locale en vigueur.
- Si vous envisagez de transférer la propriété de ce produit, incluez ce document et les accessoires fournis avec le produit.
- Suivez les règles des autorités locales pour mettre au rebut ce produit et ses accessoires.



# Informations

## À propos des fonctions intégrées à l'appareil

---

- L'air peut être soufflé à partir du port bass reflex. (Reportez-vous à la Fig. 2 à la page 6.) Il ne s'agit pas d'un dysfonctionnement de l'instrument. Cela se produit particulièrement souvent en cas d'émission de musique aux accents marqués de basses.

## À propos de la plaque signalétique de l'appareil

---

- Barre de son

Le numéro de modèle, le numéro de série, l'alimentation requise, etc., se trouvent sur ou près de la plaque signalétique du produit, située dans la partie inférieure de l'unité. Notez le numéro de série dans l'espace fourni ci-dessous et conservez ce manuel en tant que preuve permanente de votre achat afin de faciliter l'identification du produit en cas de vol.

**N° de modèle**

---

**N° de série**

---

(bottom\_fr\_01)

# PRECAUCIONES

## ANTES DE USAR EL PRODUCTO, ASEGÚRESE DE LEER DETENIDAMENTE Y SEGUIR ESTAS INSTRUCCIONES.

La finalidad de las precauciones siguientes es evitar lesiones al usuario y otras personas y daños materiales. Además, ayudarán al usuario a utilizar esta unidad de forma correcta y segura. Es importante seguir estas instrucciones.

Después de leer este manual, es importante guardarlo en un lugar seguro donde pueda consultarlo en cualquier momento.

- Asegúrese de solicitar las inspecciones o reparaciones al distribuidor a quien compró la unidad o al Servicio técnico de Yamaha.
- Yamaha no se responsabiliza por sus lesiones o los daños a sus productos debidos a uso inapropiado o modificaciones de la unidad.
- Este producto es para hogares ordinarios. No lo utilice para aplicaciones que requieran necesitan un alto nivel de fiabilidad, tales como la gestión de vidas humanas, atención sanitaria o activos de valor elevado.



### ADVERTENCIA

Este contenido está relacionado con “riesgo de lesiones graves o muerte”.

### Si observa cualquier anomalía

- Si surge cualquiera de las anomalías siguientes, apague inmediatamente la alimentación y extraiga el enchufe de alimentación.
  - El cable de alimentación está deteriorado.
  - La unidad emite humo, sonidos u olores no habituales.
  - Algún material extraño o agua ha caído en el interior de la unidad.

- Se produce una pérdida repentina de sonido durante el uso.
  - La unidad presenta alguna grieta u otro signo de deterioro.
- Si continúa usando la unidad, existe riesgo de descarga eléctrica, incendio o avería. Solicite inmediatamente una inspección o reparación al distribuidor a quien compró la unidad o al Servicio técnico de Yamaha.

### Alimentación eléctrica

- No realice ninguna actividad que pueda deteriorar el cable de alimentación.
  - No lo coloque cerca de una estufa o radiador.
  - No lo doble excesivamente ni lo modifique.
  - No lo raye.
  - No lo coloque bajo ningún objeto pesado.
- Usar el cable de alimentación con el cable pelado puede provocar una descarga eléctrica o un incendio.
- No toque el enchufe ni el cable de alimentación durante una tormenta eléctrica. De no seguirse estas instrucciones, existe riesgo de descargas eléctricas.
- Use esta unidad con la tensión de alimentación que está impresa en ella. Si no se conecta a una toma de corriente de CA apropiada, existe riesgo de incendio, descargas eléctricas o averías.
- Asegúrese de usar el adaptador de CA/cable de alimentación suministrado. De no seguirse estas instrucciones, existe riesgo de incendio, quemaduras o averías.
- Nunca use el adaptador de CA y el cable de alimentación suministrados en otras unidades. De no seguirse estas instrucciones, existe riesgo de incendio, quemaduras o averías.
- Compruebe periódicamente el enchufe y quite la suciedad o el polvo que pudiera haberse acumulado en él. De no seguirse estas instrucciones, existe riesgo de incendio o descargas eléctricas.
- Cuando instale la unidad, asegúrese de que se puede acceder fácilmente a la toma de CA que utilice. Si se produjera algún problema o funcionamiento defectuoso, apague el interruptor de alimentación y desconecte el enchufe de la toma de CA. Incluso cuando el interruptor de alimentación esté apagado, si el cable de alimentación no está desenchufado de la toma de CA de la pared, la unidad no se desconectará de la alimentación.
- Si no va a utilizar la unidad durante un período prolongado, asegúrese de extraer el enchufe de alimentación de la toma de corriente de CA. De no seguirse estas instrucciones, existe riesgo de incendio o averías.

## Instalación

---

- Realice la instalación de la forma que se indica en el manual. Una caída puede provocar lesiones o daños.

## No desmonte la unidad

---

- No desmonte ni modifique nunca esta unidad. De no seguirse estas instrucciones, existe riesgo de incendio, descargas eléctricas, lesiones o averías.

## Advertencia sobre el agua

---

- No exponga la unidad a la lluvia, ni la use cerca del agua o en lugares donde haya mucha humedad o donde pueda gotear agua, ni le ponga encima recipientes (como jarrones, botellas o vasos) que contengan líquido, ya que puede derramarse y penetrar en el interior del aparato. Si cualquier líquido, como el agua, penetra en la unidad, existe riesgo de incendio, descargas eléctricas o averías.
- Nunca enchufe o desenchufe un cable eléctrico con las manos mojadas. No manipule esta unidad con las manos húmedas. De no seguirse estas instrucciones, existe riesgo de descargas eléctricas o averías.

## Advertencia sobre el contacto con fuego

---

- No coloque objetos ardientes ni llamas abiertas cerca de la unidad, ya que existe riesgo de incendio.

## Precauciones de uso

---

- Asegúrese de no dejar caer esta unidad y de que no reciba ningún impacto fuerte. De no seguirse estas instrucciones, existe riesgo de descargas eléctricas, incendio o averías.

## Pila para el mando a distancia

---



- **NO INGERIR LA PILA, EXISTE RIESGO DE QUEMADURAS QUÍMICAS**  
El mando a distancia suministrado con este producto incluye una pila de botón. Si se traga, esta pila puede provocar diversas quemaduras internas en tan solo 2 horas e incluso la muerte. Mantenga las pilas nuevas y usadas lejos del alcance de los niños. Si el compartimento de la pila no se cierra de forma segura, deje de usar el producto y manténgalo lejos del alcance de los niños. Si cree que las pilas se han podido tragar o se encuentran en el interior de alguna parte del cuerpo, solicite atención médica de inmediato.
- No desmonte nunca una pila. Si el contenido de la pila entra en contacto con sus manos u ojos, puede sufrir ceguera o quemaduras químicas.
- No tire una pila al fuego.
- No someta la pila a condiciones de presión de aire extremadamente baja, frío o calor (como bajo la luz solar directa o un fuego), ni tampoco a condiciones de excesivo polvo o humedad. Si lo hiciera, la pila podría explotar con el consiguiente riesgo de incendio o lesiones.
- No intente recargar pilas que no sean recargables. El proceso de carga podría hacerlas explotar o provocar una fuga, con el consiguiente riesgo de sufrir ceguera, quemaduras químicas o lesiones.
- Si las pilas tienen alguna fuga, evite el contacto con el fluido derramado. Si el fluido de la pila entra en contacto con los ojos, la boca o la piel, lávese inmediatamente con agua y consulte a un médico. El fluido de las pilas es corrosivo y puede causar pérdida de visión o quemaduras químicas.

## Unidad inalámbrica

---

- No utilice esta unidad cerca de dispositivos médicos ni dentro de centros sanitarios. Las ondas de radiofrecuencia de esta unidad pueden afectar a los dispositivos de electromedicina.
- No utilice esta unidad a menos de 15 cm de personas que lleven implantado un marcapasos o un desfibrilador. Las ondas de radiofrecuencia que emite esta unidad pueden afectar a los dispositivos de electromedicina implantados, como marcapasos o desfibriladores.



## ATENCIÓN

Este contenido está relacionado con “riesgo de lesiones”.

### Alimentación eléctrica

- No cubra ni envuelva el adaptador de CA con un paño o manta. De no seguirse estas instrucciones, el calor quedaría atrapado con el consiguiente riesgo de deformación de la carcasa o incendio.
- No utilice una toma de corriente de CA que presente holgura al insertar el enchufe de alimentación.  
De no seguirse estas instrucciones, existe riesgo de incendio, descargas eléctricas o quemaduras.
- Al desconectar el enchufe de alimentación, sujételo en todo momento por el propio enchufe, nunca por el cable.  
Tirar del cable puede deteriorarlo, con el consiguiente riesgo de descargas eléctricas o incendio.
- Inserte el enchufe de alimentación firmemente hasta el fondo en la toma de corriente de CA.  
Usar la unidad sin estar debidamente enchufada puede provocar acumulación de polvo en las patillas, con el consiguiente riesgo de incendio o quemaduras.

### Instalación

- No coloque la unidad sobre superficies inestables, donde pueda caerse o volcarse por accidente y provocar lesiones.
- Al instalar esta unidad, colóquela en un lugar donde se permita una buena disipación del calor.
  - No tape el dispositivo con ningún tipo de tela.
  - No instale el dispositivo sobre moquetas o alfombras.
  - No bloquee los orificios de ventilación de la unidad (ranuras de refrigeración). (Consulte la ilustración 1 de la página 4.)
  - No instale la unidad de otra forma que no sea la indicada.
  - No utilice el dispositivo en un lugar demasiado pequeño o mal ventilado.

De no seguirse las instrucciones anteriores, el calor quedaría atrapado en el interior de la unidad, con el consiguiente riesgo de incendio o averías. Asegúrese de que haya espacio suficiente alrededor de la barra de sonido: al menos 10 cm en la parte superior, 10 cm en los laterales y 10 cm en la parte trasera. Asegúrese de que haya espacio suficiente alrededor del altavoz de subgraves: al menos 20 cm en la parte superior, 20 cm en los laterales y 20 cm en la parte trasera.

- No instale la unidad en lugares donde pueda entrar en contacto con gases corrosivos o aire salobre o lugares con exceso de humo o vapor.  
Si ocurriera, podría dar lugar a un funcionamiento defectuoso.
- Procure no estar cerca de la unidad si se produce algún desastre natural como, por ejemplo, un terremoto.  
Dado que la unidad podría volcar o caerse y causar lesiones, aléjese de ella rápidamente y vaya a un lugar seguro.
- Antes de mover esta unidad, asegúrese de desconectar el interruptor de alimentación y todos los cables de conexión.  
De no seguirse estas instrucciones, existe riesgo de deterioro de los cables o de que usted u otra persona tropiecen con ellos y se caigan.
- Para que el montaje de la barra de sonido en la pared se realice correctamente, asegúrese de encargárselo al distribuidor en el que compró la unidad o a personal de servicio cualificado.  
No cumplir esta indicación puede provocar que la instalación se caiga y provoque lesiones físicas. La instalación requiere los conocimientos y la experiencia adecuados.

### Pérdida auditiva

- No utilice la unidad a un volumen alto o incómodo durante un período prolongado, ya que podría provocar una pérdida de audición permanente. Si experimenta alguna pérdida auditiva u oye pitidos, consulte a un médico.
- Antes de conectar la unidad a otros dispositivos, desconecte la alimentación de todos ellos.  
De no seguirse estas instrucciones, existe riesgo de pérdida de audición, descarga eléctrica o daños en el dispositivo.

### Mantenimiento

- Retire el enchufe de alimentación de la toma de CA antes de limpiar la unidad.  
De no seguirse estas instrucciones, existe riesgo de descargas eléctricas.

## Precauciones de uso

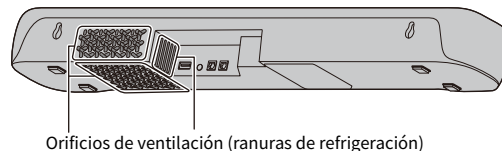
- No introduzca las manos ni los dedos en el puerto de reflexión de graves del altavoz de subgraves. (Consulte la ilustración 2 de la página 4.) De no seguirse estas instrucciones, existe riesgo de lesiones.
  - No introduzca materiales extraños, tales como metal o papel, en los orificios de ventilación (ranuras de refrigeración) de la barra de sonido y el puerto de reflexión de graves del altavoz de subgraves. (Consulte las ilustraciones 1 y 2 de la página 4.)
  - Mantenga las piezas pequeñas fuera del alcance de los niños. Sus niños podrían tragárselas accidentalmente.
  - No haga lo siguiente:
    - subirse o sentarse en el equipo.
    - poner objetos pesados encima del equipo.
    - apilar el equipo.
    - aplicar fuerza más allá de lo razonable a los botones, interruptores, terminales de entrada/salida, etc.
    - colgar la barra de sonido instalada en una pared.
    - apoyarse sobre la barra de sonido instalada en una pared.
- De no seguirse estas instrucciones, existe riesgo de lesiones o daños en el equipo.
- No tire de los cables conectados para evitar lesiones o daños en la unidad debidos a caídas.

## Pila para el mando a distancia

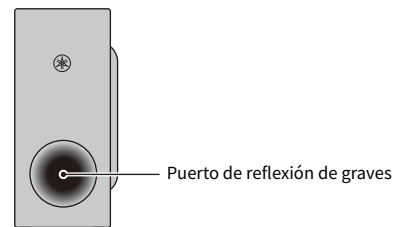
- No utilice pilas diferentes de las especificadas. Hacerlo puede provocar incendios o quemaduras, u ocasionar fugas de fluido que pueden provocar inflamaciones cutáneas.
- No introduzca las pilas en un bolsillo o una bolsa, ni las transporte o almacene mezcladas con trozos de metal. La pila puede cortocircuitarse, explotar o perder fluido, con el consiguiente riesgo de incendio o lesiones.
- Asegúrese siempre de que todas las pilas están colocadas conforme a las marcas de polaridad +/-.  
De no seguirse estas instrucciones, existe riesgo de incendio, quemaduras o inflamación debidos a fugas de fluidos.
- Cuando se agoten las pilas o la unidad no se vaya a usar durante mucho tiempo, quite las pilas del mando a distancia para prevenir posibles fugas del fluido de las pilas.
- Al guardar o desechar pilas, aisle la zona de los terminales con cinta aislante o con otro tipo de protección.

Si se mezclan con otras pilas o con objetos metálicos, existe riesgo de incendio, quemaduras o inflamación a causa del fluido.

**Ilustración 1** Barra de sonido



**Ilustración 2** Altavoz de subgraves



## Aviso

Indica los puntos que debe observar para evitar que se produzcan fallos en el producto, un funcionamiento incorrecto, daños y pérdida de datos.

## Alimentación eléctrica

- Si no va a utilizar la unidad durante un período prolongado, asegúrese de extraer el enchufe de alimentación de la toma de corriente. Aunque pulse [⏻] (En espera/Activado) para apagar esta unidad, seguirá fluyendo una corriente mínima.

## Instalación

---

- No use esta unidad en una ubicación que esté expuesta a la luz solar directa, que alcance temperaturas demasiado altas (por ejemplo, al lado de una estufa) o bajas ni que esté sometida a cantidades excesivas de polvo o vibraciones. De no seguirse estas instrucciones, existe riesgo de que el panel de la unidad se deforme, de que sus componentes internos se averíen o de que el funcionamiento sea inestable.
- Si usa una función inalámbrica, evite instalar esta unidad cerca de tabiques o mesas metálicos, hornos de microondas y otros dispositivos de red inalámbrica. Las obstrucciones pueden acortar el alcance de la transmisión.

## Conexiones

---

- Si va a conectar unidades externas, asegúrese de leer detenidamente el manual de cada una de ellas y de conectarlas de acuerdo con las instrucciones. Manipular la unidad sin atenerse a las instrucciones puede provocar averías.
- No conecte esta unidad a unidades industriales. Esta unidad se ha diseñado para conectarla a una unidad de uso personal. Conectarla a una unidad industrial puede provocar que esta unidad funcione incorrectamente.

## Manipulación

---

- No coloque productos de vinilo, plástico o caucho sobre esta unidad. De no seguirse estas instrucciones, el panel de la unidad podría decolorarse o deformarse.
- Si la temperatura ambiente cambia drásticamente (por ejemplo, durante el transporte o al aplicar rápidamente la calefacción o el aire acondicionado) y existe la posibilidad de que se haya formado condensación en el interior de la unidad, déjela varias horas sin encenderla hasta que esté totalmente seca antes de usarla. Usar la unidad mientras contiene condensación puede producir averías.

## Mantenimiento

---

- Para limpiar la unidad, utilice un paño suave y seco. No use productos químicos como bencina, disolventes, detergentes o bayetas impregnadas de productos químicos, pues podrían provocar decoloraciones o deformaciones.

## Altavoces

---

- No toque las unidades de altavoz. De no seguirse estas instrucciones, existe riesgo de que se produzcan daños en las unidades de altavoz.

## Deshacerse de este producto o transferirlo

---

- Asegúrese de desechar las pilas usadas de acuerdo con la normativa local.
- Si tiene previsto transferir la propiedad de este producto, incluya con el producto este documento y los accesorios incluidos.
- Siga las normas impuestas por la autoridad local para deshacerse de este producto y sus accesorios.

# Información

## Acerca de las funciones incluidas en la unidad

---

- Puede que se expulse aire por el puerto de reflexión de graves. (Consulte la ilustración 2 de la página 4.) No se trata de una avería. Ocurre con frecuencia cuando se emite música con gran intensidad de graves.
- La operación de este equipo esta sujeta a las siguientes dos condiciones: (1) es posible que este equipo o dispositivo no cause interferencia perjudicial y (2) este equipo o dispositivo debe aceptar cualquier interferencia, incluyendo la que pueda causar su operación no deseada.

## Acerca de la placa de especificaciones de la unidad

---

- Barra de sonido

El número de modelo, el número de serie, los requisitos de alimentación, etc. pueden encontrarse en la placa de identificación o cerca de ella. Esta placa se encuentra en la parte inferior de la unidad. Debe anotar dicho número en el espacio proporcionado a continuación y conservar este manual como comprobante permanente de su compra para facilitar la identificación en caso de robo.

**N.º de modelo**

---

**N.º de serie**

---

(bottom\_es\_01)

YAMAHA CORPORATION

10-1 Nakazawa-cho, Naka-ku, Hamamatsu, 430-8650 Japan

Yamaha Global Site  
<https://www.yamaha.com/>

Yamaha Downloads  
<https://download.yamaha.com/>

© 2022 Yamaha Corporation  
Published 05/2022  
KSOD-A0

VFS3150

UA