

**Speaker Package  
Package Enceintes**

---

# ***NS-PA150 / NS-P150***

***(NS-PA150 / NS-P150: NS-C150 + NS-B150)***

English

Français

Deutsch

Español

Русский

Owner's Manual  
Mode d'emploi  
Bedienungsanleitung  
Manual De Instrucciones  
Инструкция По Эксплуатации

# Precautions

Please read the following operating precautions before use. Yamaha will not be held responsible for any damage and/or injury caused by not following the cautions below.

1. To assure the finest performance, please read this manual carefully. Keep it in a safe place for future reference.
2. Install the speakers in a cool, dry, clean place – away from windows, sources of heat, sources of excessive vibration, dust, moisture or cold. Avoid sources of electrical humming (e.g., transformers and motors). To prevent fire or electric shock, do not expose the speakers to rain or water.
3. To prevent the enclosure from warping or discoloring, do not expose the speakers to direct sunlight or excessive humidity.
4. Avoid installing the speakers where foreign objects may fall onto them and/or where they may be exposed to liquid dripping or splashing.
5. Do not place the following objects on top of the speakers:
  - Other components, as they might damage or discolor the surface of the speakers.
  - Burning objects (e.g., candles), as they might cause fire, damage to the speakers or personal injury.
  - Containers of liquid, as they might spill and cause electric shock to the user or damage to the speakers.
6. Do not place the speakers where they are liable to be knocked over or struck by falling objects. Stable placement will also ensure better sound performance.
7. Placing the speakers on the same shelf or rack as the turntable can result in feedback.
8. Any time you note distortion, reduce the volume control on your amplifier to lower setting. Never allow your amplifier to be driven into “clipping”. Otherwise, the speakers may be damaged.
9. When using an amplifier with a rated output power higher than the nominal input power of the speakers, care should be taken not to exceed the maximum input of the speakers.
10. Do not attempt to clean the speakers with chemical solvents as this might damage the finish. Use a clean, dry cloth.
11. Do not attempt to modify or fix the speakers. Contact qualified Yamaha service personnel when service is needed. The cabinet should never be opened for any reason.
12. **Secure placement or installation is the owner’s responsibility. Yamaha is not liable for accidents caused by improper placement or installation of speakers.**

## Information for Users on Collection and Disposal of Old Equipment



This symbol on the products, packaging, and/or accompanying documents means that used electrical and electronic products should not be mixed with general household waste.

For proper treatment, recovery and recycling of old products, please take them to applicable collection points, in accordance with your national legislation and the Directives 2002/96/EC.

By disposing of these products correctly, you will help to save valuable resources and prevent any potential negative effects on human health and the environment which could otherwise arise from inappropriate waste handling.

For more information about collection and recycling of old products, please contact your local municipality, your waste disposal service or the point of sale where you purchased the items.

[Information on Disposal in other Countries outside the European Union]

This symbol is only valid in the European Union. If you wish to discard these items, please contact your local authorities or dealer and ask for the correct method of disposal.

## Taking care of the speaker

When you wipe this unit, do not use chemical solvents (e.g., alcohol or thinners, etc.): this might damage the finish. Use a clean, dry cloth. For difficult soils, dampen a soft cloth in water, wring it out, and then wipe with the cloth.











(For polish-finished model) Bumping the surface of the instrument with metal, porcelain, or other hard objects can cause the finish to crack or peel.

# Contents

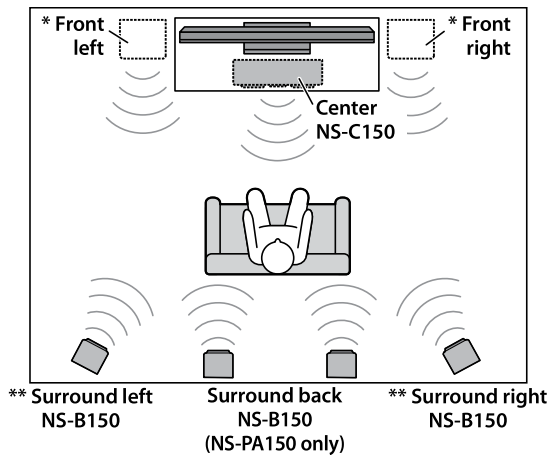
<b>Package contents</b> .....	1	<b>Connecting the speakers</b> .....	4
<b>Installing the speakers</b> .....	2	Connection diagram.....	4
Installing the center speaker.....	2	<b>Specifications</b> .....	5
Wall-mounting the speakers.....	3		

## Package contents

Make sure the package contains the following items.

Type of package		NS-PA150	NS-P150
Contents			
Center speaker (NS-C150)			
Surround speaker (NS-B150)			
Speaker cable	4 m (13.1 ft.)		
	10 m (32.8 ft.)		
Fastener (for center speaker)			

## Installing the speakers



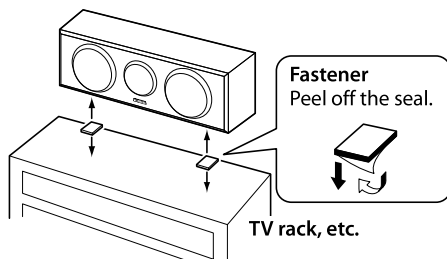
- \* Place the two front speakers (commercially available) on the left and right sides of the TV, facing directly forward.
- \*\* Place the left and right surround speakers behind your listening position, facing slightly inward.

Before you connect the speakers, place each speaker in its respective location. Speaker positioning is very important as it affects the overall sound quality of the system. Place the speakers in locations that will optimize the sound quality at your listening position. Refer to the illustration.

### Note

- Placing the speakers too close to a CRT-type TV may impair the picture color or cause a buzzing noise. In this case, move the speakers at least 20 cm (8") away from the TV. This is not an issue with LCD and plasma TVs.

## Installing the center speaker



Place the center speaker centrally between the front speakers, facing directly forward.

When placing it on a flat surface (TV rack, etc), affix the supplied fasteners to bottom of the speaker. Refer to the illustration.

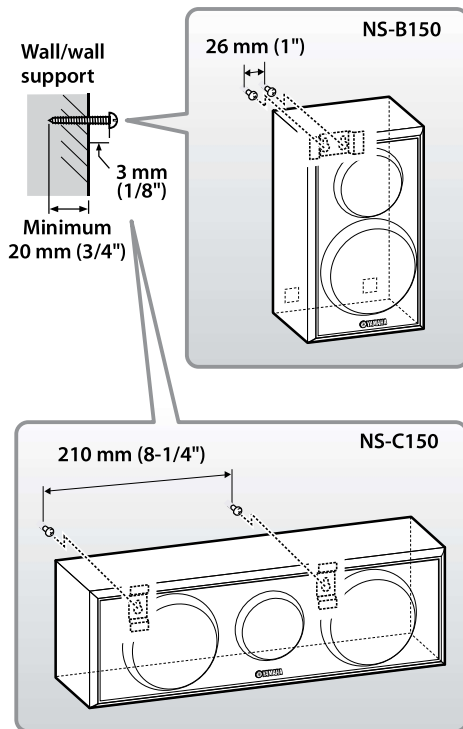
When wall-mounting it, see "Wall-mounting the speakers" (page 3).

### Note

- Wipe the surface clean before affixing the fasteners. If the surface is dirty, oily or wet, adhesive strength is weakened and the speaker may fall.

## Wall-mounting the speakers

You can mount the speakers on the wall as follows.



**1** Install screws into a solid wall or wall support as shown in the illustration. Use 3.5 to 4 mm (1/8") diameter self-tapping screws.

**2** Hang each speaker by its keyhole slots onto the protruding screws.

### Note

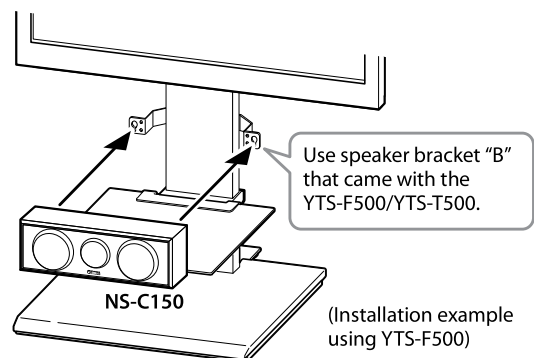
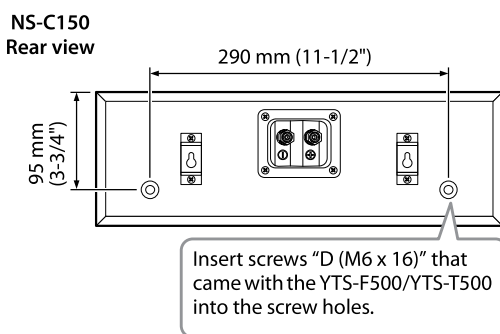
- Make sure the shaft of the screw is seated in the narrow part of the keyhole slot. Otherwise, the speaker may fall.

### Warnings

- NS-B150 speaker weighs 1.2 kg (2.6 lbs.) and NS-C150 speaker weighs 2.1 kg (4.6 lbs.). Do not mount the speakers on thin plywood or on a wall with a soft surface material. Otherwise, the screws may pull out of the surface and the speakers may fall, possibly damaging the speakers or causing personal injury.
- Do not affix the speakers to a wall using nails, adhesives, or unstable hardware. Long-term use and vibration may cause the speakers to fall.
- To avoid accidents resulting from tripping over loose speaker cables, affix the cables to the wall.
- Mount the speakers in a wall location that will be unlikely to result in injury to an individual's head.
- When using speaker brackets (commercially available) to mount the speakers on the wall or ceiling, we strongly recommend using safety wire (may be supplied with the bracket) between the speaker and bracket to prevent the speaker from falling.
- When installing these speakers on a wall mounted bracket, it is essential that they are firmly secured. Be sure to consult a reliable source about the best type of fastener for your particular wall / ceiling's construction.

### ■ Mounting the center speaker on the Yamaha YTS-F500/YTS-T500 TV stand

You can use the screw holes [diameter: 6 mm (1/4"), hole depth: 16 mm (5/8")] on the rear of this unit to mount the speaker on the YTS-F500/YTS-T500. For installation details, please refer to the owner's manual that came with the YTS-F500/YTS-T500.



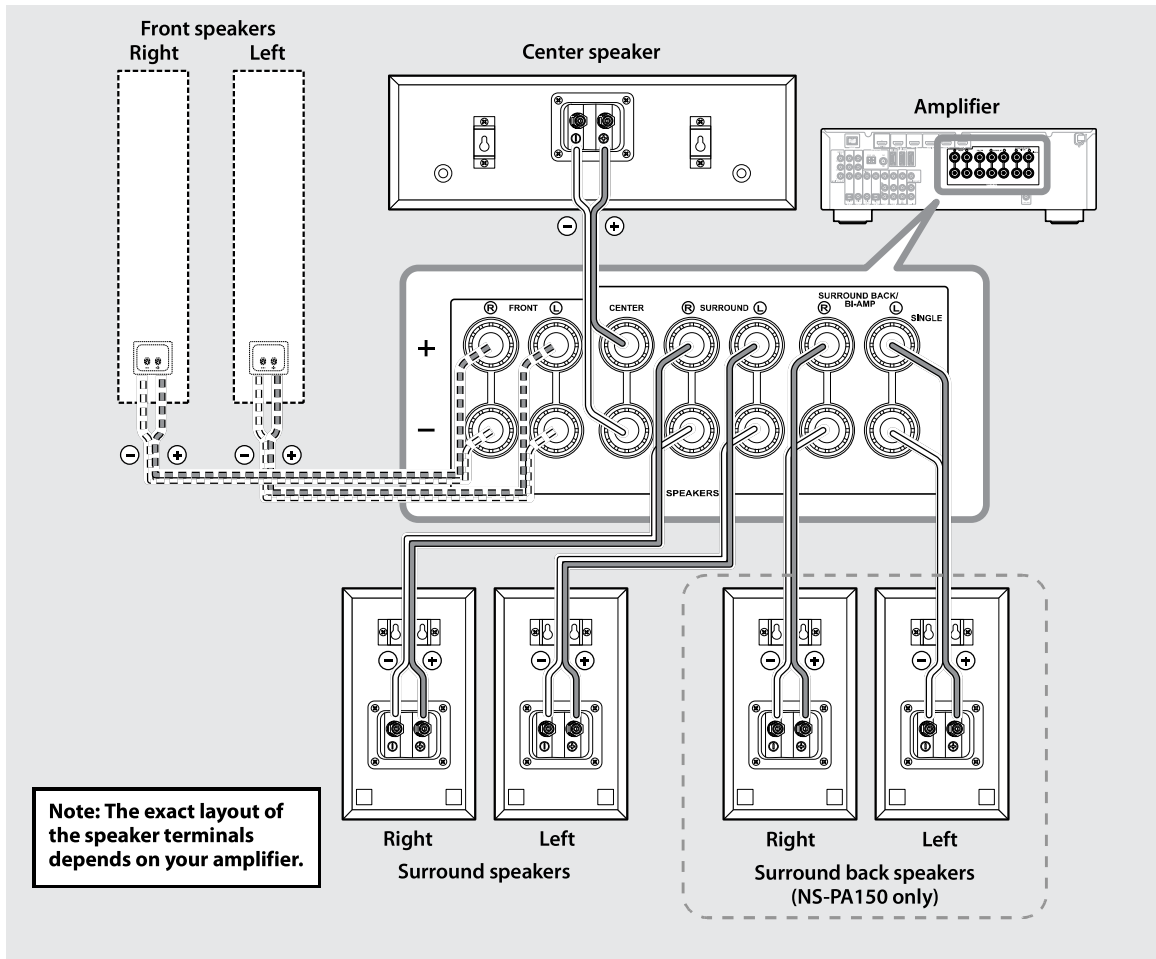
### Notes

- Be careful not to pinch the speaker cables between the speaker and the speaker bracket or speaker stand.
- Do not lean or place any object on the speaker. Otherwise, the TV stand bracket may be deformed.

# Connecting the speakers

**Caution:** Make sure the power cables for your other AV components are disconnected from the AC wall outlets before making any connections.

## Connection diagram



### ■ Preparing the speaker cables

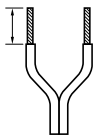
Once you've positioned the speakers, you'll need to prepare the speaker cables for connecting the speakers.

- 1** Remove about 15 mm (5/8") of insulation from the end of each speaker cable.
- 2** Twist the bare wires tightly.

### Notes

- Do not bundle or roll up excess cable.
- Twist the bare wires tightly so the individual strands are not played.
- Be careful not to injure yourself while preparing the speaker cables.

15 mm (5/8")

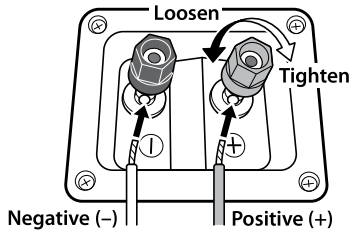


Good



No Good

### ■ Operating the speaker terminals



- 1** Rotate the speaker terminal counterclockwise to loosen it.
- 2** Insert the bare wire.
- 3** Rotate the speaker terminal clockwise to tighten it.
- 4** Test the security of the connection by pulling gently on the cable.

#### Notes

- Make sure the terminal is gripping the bare wire, not the insulation.
- Make sure the bare wires do not touch each other, as this could damage the speaker or amplifier.
- If the connections are faulty, you will hear no sound from the speakers.

### ■ Connecting to an amplifier

Connect each speaker to the appropriate speaker terminals on your amplifier by using the cables you prepared earlier. For details, see the “Connection diagram” (page 4).

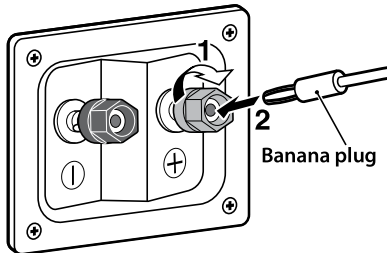
For the surround and surround back speakers only, connect one speaker to the left (marked L) terminals of your amplifier or receiver, and another speaker to the right (marked R) terminals.

Please refer to the owner’s manual that came with your amplifier or receiver.

#### Notes

- Make sure you connect the speakers with the correct polarity—positive (+) terminals to positive (+) terminals, and negative (–) terminals to negative (–) terminals. If you get them crossed over, the sound will be unnatural and lack bass.
- In your AV receiver’s speaker size settings, specify small (or “S”) for all of the speakers.
- The speaker may be damaged if certain sounds are continuously output at high volume level. For example, if sine waves from a test disc, bass sounds from electronic instruments, etc., are continuously output, or when the stylus of a turntable touches the surface of a disc, reduce the volume level to prevent the speaker from being damaged.
- Once you have connected all of the speakers, plug the amplifier and other AV components into suitable AC wall outlets.
- When using an amplifier with a rated output power higher than the nominal input power of the speaker, care should be taken never to exceed the speaker’s maximum input.

### ■ When using a banana plug



- 1** Tighten the terminal knob.
- 2** Simply insert the banana plug into the terminal.

## Specifications

### ■ Center speaker (NS-C150)

Type.....	2-way acoustic suspension Non-magnetic shielding type
Driver .....	Woofer: 8 cm (3-1/4") cone type x 2 Tweeter: 1.4 cm (1/2") balanced dome speaker
Nominal input power .....	30 W
Maximum input power .....	80 W
Impedance .....	Nominal 6 Ω
Frequency response .....	65 Hz–38 kHz (–10 dB)
Sensitivity .....	86 dB/2.83 V, 1 m
Dimensions (W x H x D) .....	395 x 130 x 127 mm (15-1/2" x 5-1/8" x 5")
Weight .....	2.1 kg (4.6 lbs)

### ■ Surround speakers (NS-B150)

Type.....	2-way acoustic suspension Non-magnetic shielding type
Driver .....	Woofer: 8 cm (3-1/4") cone type Tweeter: 1.4 cm (1/2") balanced dome speaker
Nominal input power .....	20 W
Maximum input power .....	60 W
Impedance .....	Nominal 6 Ω
Frequency response .....	62 Hz–38 kHz (–10 dB)
Sensitivity .....	82 dB/2.83 V, 1 m
Dimensions (W x H x D) .....	130 x 225 x 127 mm (5-1/8" x 8-7/8" x 5")
Weight .....	1.2 kg (2.6 lbs)

Specifications are subject to change without notice.

