

A-S3000

Integrated Amplifier Amplificateur Intégré



A Living Tradition in Sound

A piano comes into this world through the perfect synergy of advanced technical skill and artistry. Such a piano can create sound that truly reflects the player's feelings.

The final stage in piano production is called "voicing". It is here that the instrument is given its soul.

A highly skilled expert concentrates his mind and sensitivity on the sound of each key, finely adjusting the dynamic feel of the hammers, bringing the tone and vibrancy of all 88 keys together perfectly; a truly stunning achievement.

It is a quality of sound that can only be determined by an astute, sensitive ear. We apply this very same concept to the manufacture of our audio products. The technician performs exhaustive listening tests and every component is considered, in order to finally achieve the ideal sound.

Yamaha's tradition of audio quality stretches back over 125 years, and continues to live on in all Yamaha products today.



Excellence in Audio Achievement

1920-
1960s

First HiFi System introduced in 1920

We introduced numerous HiFi components (turntables, FM/AM tuners, integrated amplifiers, preamplifiers, power amplifiers and speakers) in 1955 - 1965.

Natural Sound Speaker Series introduced in 1967

NS-20 Monitor Speaker



NS-20



CA-1000

1970s

CA-1000 Integrated Amplifier

Featuring A-Class operation, the CA-1000 set the standard for integrated amplifiers.

NS-690 Natural Sound Speaker



NS-690



NS-1000M

NS-1000M Monitor Speaker

A truly legendary speaker still revered by HiFi enthusiasts.

B-1 Power Amplifier

An innovative power amp that used vertical FETs in all stages.



B-1



C-2

C-2 Control Amplifier

Received top prize at the Milan International Music and HiFi Show.

NS-10M Studio Monitor Speaker

Became of the most popular studio monitors in the world.



PX-2



NS-10M

A-1 Integrated Amplifier

PX-2 Turntable

Yamaha's first straight arm turntable.



B-6



B-2x

1980s

B-6 Power Amplifier

Pyramid-shaped power amplifier.

GT-2000/L Turntable

First CD Player (CD-1) introduced in 1983

B-2x Power Amplifier



MX-10000



CX-10000

MX-10000 Power Amplifier and CX-10000 Control Amplifier

Redefined the capabilities of separate components.

AX-1 Integrated Amplifier

1990s

GT-CD1 CD Player

MX-1 Power Amplifier and CX-1 Preamplifier



Soavo-1



A-S2000

2000s

Soavo-1 and Soavo-2 Natural Sound Speaker Systems

A-S2000 Stereo Amplifier and CD-S2000 Super Audio CD Player



CD-S2000

2010s

NP-S2000 Network Player



NP-S2000

A-S3000

◆ *Full floating and balanced circuit design achieves the full potential of analogue amplification*

An entirely new floating and balanced power amplifier achieves complete symmetry and permits full balanced transmission (amplification) from the input jack to just before the speaker jack.

◆ *Full-stage balanced signal transmission*

The integrated amplifier offers full stage balanced transmission, combining high power output with good sound texture and outstanding S/N performance.

◆ *Parallel volume and tone control*

◆ *Large power supply with four separate circuits*

◆ *Left-right symmetrical design with rigid, stable construction*

◆ *Discrete phono amplifier*

◆ *High-quality headphone amplifier with low-impedance drive*

■ **Supplied accessories**

Please check that you have received all of the following parts.

- Remote control
- Batteries (AAA, R03, UM-4) (×2)
- Power cable
- SAFETY BROCHURE

Contents

| | |
|------------------------------------|-----------|
| Controls and functions..... | 6 |
| Connections..... | 16 |
| Specifications..... | 24 |
| Troubleshooting..... | 28 |

■ **About this manual**

- ✨ indicates a tip for your operation.
- The color of images in this manual may vary from the original.
- Read the “SAFETY BROCHURE” before using this unit.

A-S3000

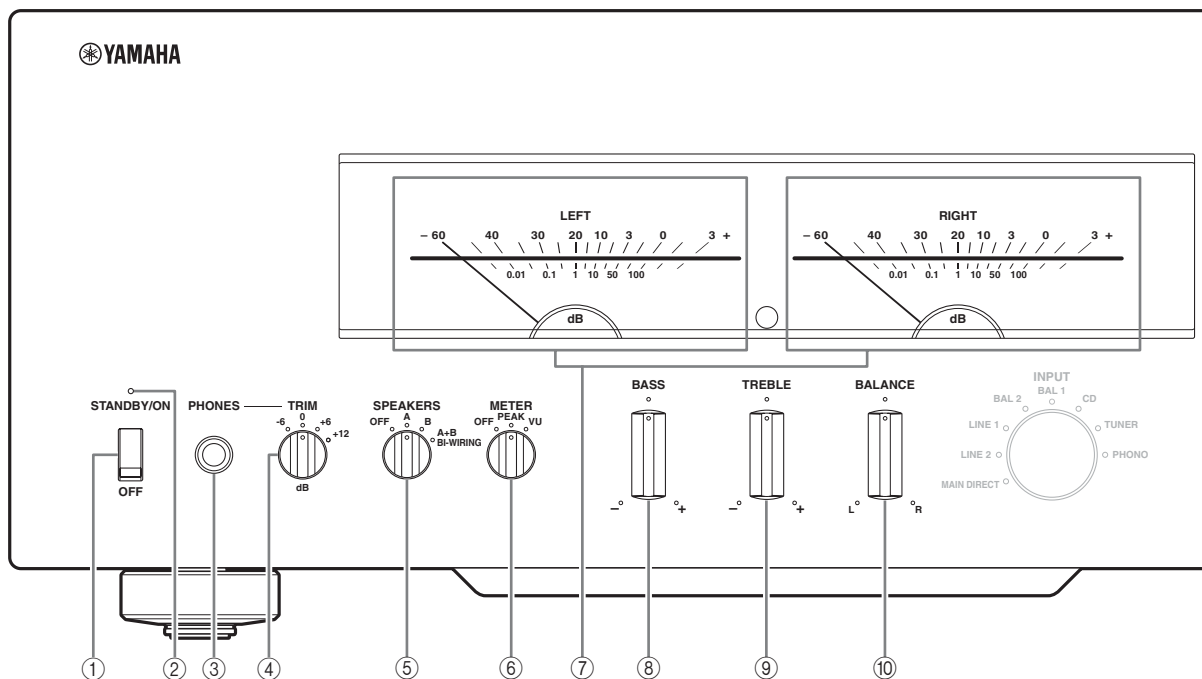
Controls and functions

In this chapter, you will learn the controls and functions of A-S3000.



Controls and functions

■ Front panel (pages 6 to 9)



① STANDBY/ON/OFF switch

Turns on or off this unit.

STANDBY/ON (upper position):

In this position, you can select STANDBY or ON, using the AMP key on the remote control.

OFF (lower position):

The power of this unit is turned off.

Notes

- When you turn on this unit, it will take a few seconds before this unit can reproduce sound.
- If you disconnect the power cable from the AC outlet and connect it again when this unit is in STANDBY mode, the power of the unit is turned on. If the unit is not to be operated for a long time, set the STANDBY/ON/OFF switch to OFF.

② STANDBY/ON indicator

Lit brightly:

Shows that the power of the unit is ON. In this condition, you can switch the unit to STANDBY mode using the AMP key on the remote control.

Lit dimly:

Shows that the unit is in STANDBY mode. In this condition, press the AMP key on the remote control to turn on the unit.

Off:

Shows that the power of the unit is OFF. In this condition, you can turn on the unit using the STANDBY/ON/OFF switch only.

③ PHONES jack

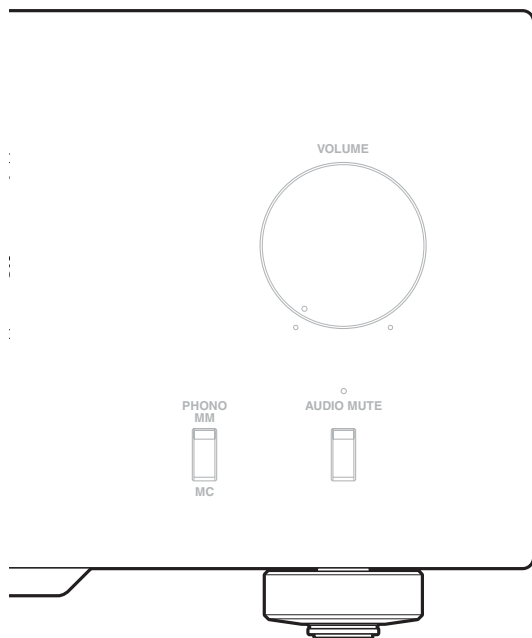
Outputs audio for private listening with headphones.

Notes

- When headphones are plugged in:
 - Both speaker sets connected to the SPEAKERS L/R CH terminals are turned off.
 - No signals are output at the PRE OUT jacks.
 - You cannot select MAIN DIRECT as the input source.
- If headphones are plugged into the PHONES jack while MAIN DIRECT is selected as the input source, no audio is output at the PHONES jack.

④ TRIM selector

Adjusts the volume level when headphones are plugged in to avoid sudden changes in volume. Choices: -6 dB, 0 dB, +6 dB, +12 dB



⑤ **SPEAKERS selector**

Turns on or off the speaker set connected to the SPEAKERS L/R CH A and/or B terminals on the rear panel.

- Switch to the OFF position to turn off both speaker sets.
- Switch to the A or B position to turn on the speaker set connected to the SPEAKERS L/R CH A or B terminals.
- Switch to the A+B BI-WIRING position to turn on both speaker sets.

Caution

If you use two sets (A and B), the impedance of each speaker must be 8 Ω or higher.

⑥ **METER selector**

Switches the display of the meter to OFF, PEAK or VU.

OFF:

Turns off the meter and the illumination.

PEAK:

Switches the meter to a peak level meter. The peak level meter shows a momentarily highest audio output level.

VU:

Switches the meter to a VU (Volume Unit) level meter. The VU level meter shows an effective audio output value that is similar to human senses.

⑦ **Meter displays (LEFT/RIGHT)**

Show the audio output level of the left (LEFT) and right (RIGHT) channels in VU or PEAK meter mode. The VU or PEAK meter can be selected by the METER selector.

⑧ **BASS control**

Increases or decreases the low frequency response. The 0 position produces a flat response. Control range: -10 dB to +10 dB

⑨ **TREBLE control**

Increases or decreases the high frequency response. The 0 position produces a flat response. Control range: -10 dB to +10 dB

⑩ **BALANCE control**

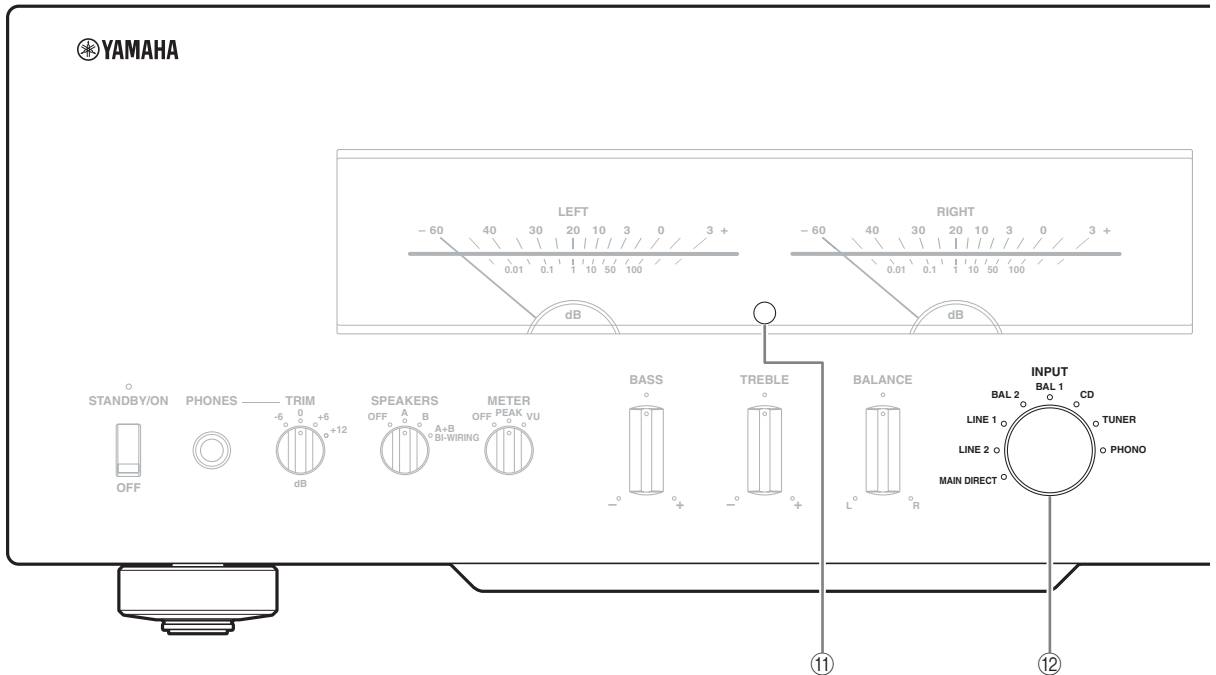
Adjusts the audio output balance of the left and right speakers to compensate for sound imbalances caused by speaker locations or listening room conditions.

Notes

- When both the BASS and TREBLE controls are set to the 0 position, audio signal bypasses the tone control circuitry.
- The BASS, TREBLE and BALANCE controls do not affect the signals input at the MAIN IN jacks and signals output at the LINE 2 REC jacks.

Controls and functions

■ Front panel (pages 6 to 9)

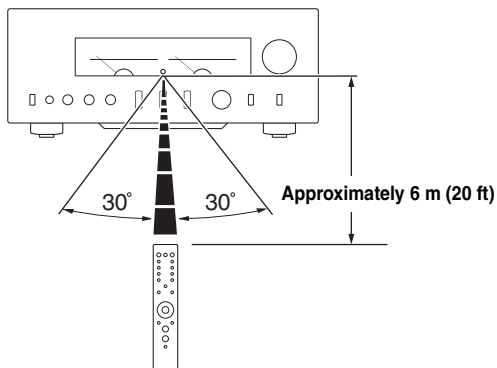


⑪ Remote control sensor

Receives signals from the remote control.



The remote control transmits a directional infrared beam. Be sure to aim the remote control directly at the remote control sensor on the front panel of this unit during operation.



⑫ INPUT selector/indicator

Selects the input source to be played back. The indicator of the input source selected with the INPUT selector lights.

The audio signals of the selected input source are also output at the LINE 2 REC jacks.

MAIN DIRECT: Selects the component connected to the MAIN IN jacks.

When MAIN DIRECT is selected as the input source, the audio signals are not output at the PRE OUT, LINE 2 REC and PHONES jacks.

LINE 1/LINE 2: Selects the component connected to the LINE 1 or LINE 2 jacks.

BAL 1/BAL 2: Selects the component connected to the BAL 1 or BAL 2 jacks (balanced XLR jacks).

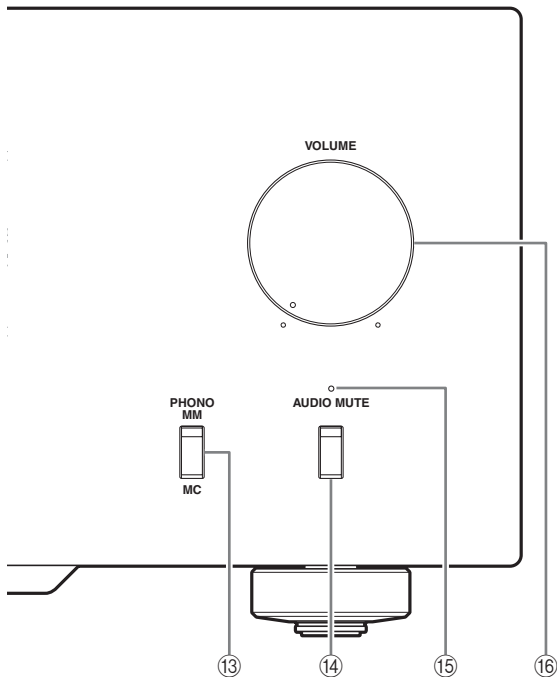
CD: Selects the CD player connected to the CD jacks (unbalanced RCA jacks).

TUNER: Selects the tuner connected to the TUNER jacks.

PHONO: Selects the turntable connected to the PHONO jacks.

Note

When LINE 2 is selected, the audio signals are not output at the LINE 2 REC jacks.



13 PHONO switch

Selects the type of magnetic cartridge of the turntable connected to the PHONO jacks on the rear panel.

- Press upward to the MM position when the connected turntable has a moving magnet (MM) cartridge.
- Press downward to the MC position when the connected turntable has a moving coil (MC) cartridge.



When you replace the cartridge, be sure to turn off this unit.

14 AUDIO MUTE switch

Press downward to reduce the current volume level by approximately 20 dB. Press again to restore the audio output to the previous volume level.



You can also rotate the VOLUME control on the front panel or press the VOLUME + or – key on the remote control to resume the audio output.

15 AUDIO MUTE indicator

Lights when the mute function is turned on with the AUDIO MUTE switch.

16 VOLUME control

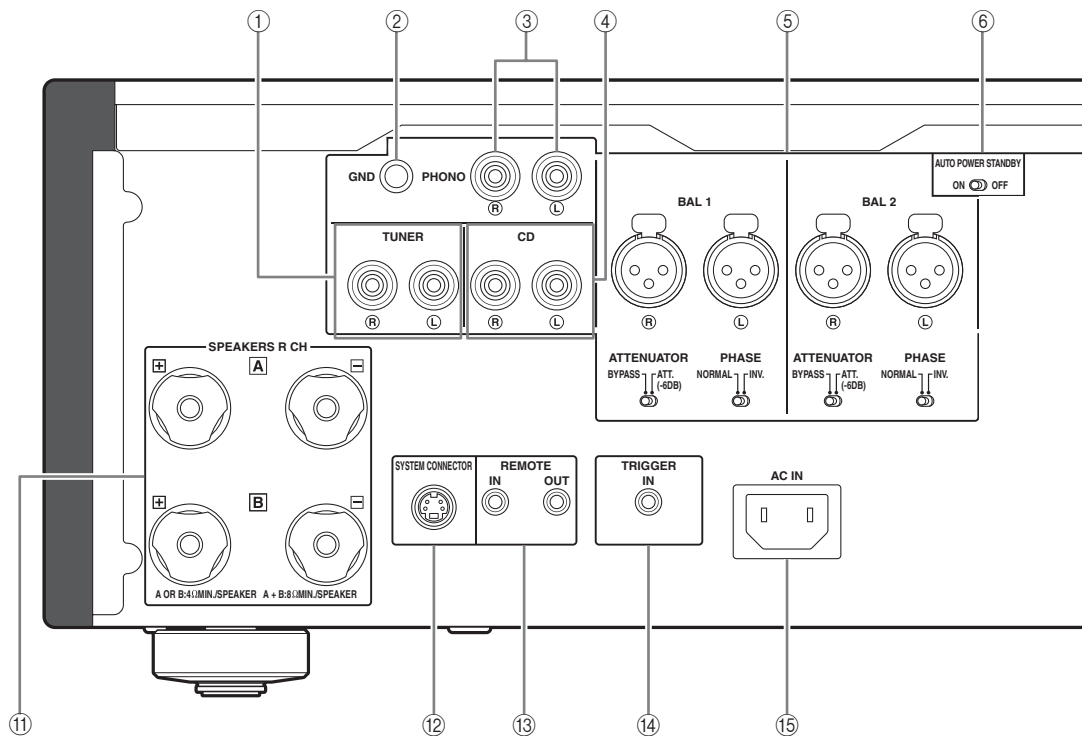
Controls the volume level. This does not affect the output level at the LINE 2 REC jacks.

Note

The VOLUME control does not affect when you select MAIN DIRECT as the input source. Adjust the volume level using the volume control on the external amplifier connected to the MAIN IN jacks.

Controls and functions

■ Rear panel



See page 16 for connection information.

① **TUNER input jacks**

② **GND (Ground) terminal**

③ **PHONO input jacks**

④ **CD input jacks**

⑤ **BAL 1/BAL 2 (balanced) input jacks**

Two sets of balanced input jacks are provided. Set the ATTENUATOR selector and PHASE selector associated with the BAL 1 or BAL 2 jacks according to the player connected to the corresponding jacks. For details of settings, see page 20.

⑥ **AUTO POWER STANDBY switch**

ON:

The unit enters STANDBY mode automatically if not operated for 8 hours.

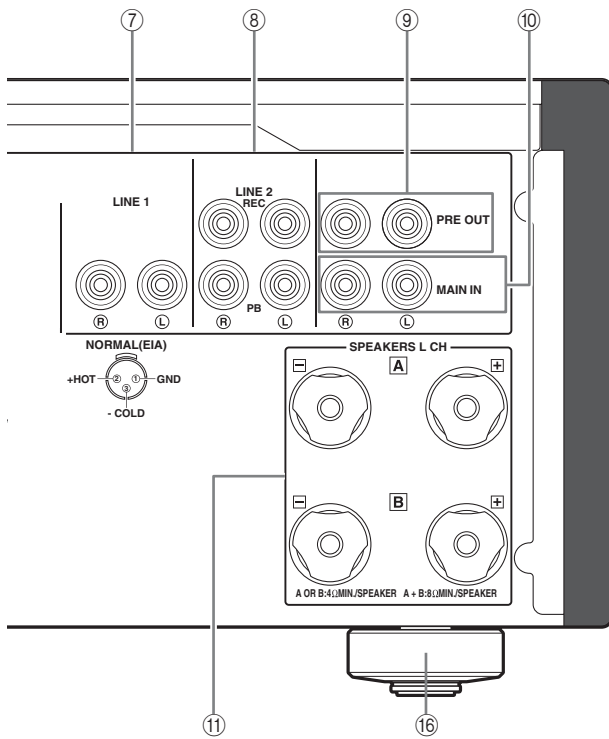
OFF:

The unit does not enter STANDBY mode automatically.

⑦ **LINE 1 input jacks**

⑧ **LINE 2 jacks**

PB (playback) input jacks and REC (recording) output jacks are provided.



9 PRE OUT jacks



- The PRE OUT jacks output the same channel signal as the SPEAKERS L/R CH terminals.
- When you connect a stereo cable to the PRE OUT jacks to drive the speakers using an external amplifier, it is not necessary to use the SPEAKERS L/R CH terminals.
- The signal output at the PRE OUT jacks are affected by the BASS and TREBLE control settings.

10 MAIN IN jacks

Use these jacks to connect an external component equipped with a volume control.

Note

When you select MAIN DIRECT as the input source, the volume level is fixed.
Adjust the volume level using the volume control on the external amplifier connected to the MAIN IN jacks when you select MAIN DIRECT as the input source.

For the connection to the MAIN IN jacks, see pages 16 and 17.

11 SPEAKERS L/R CH terminals

12 SYSTEM CONNECTOR

Use this connector to connect a product testing device for servicing.

13 REMOTE IN/OUT jacks

Use these jacks to connect an external component for remote control.
For details on the connection, see page 21.

14 TRIGGER IN jack

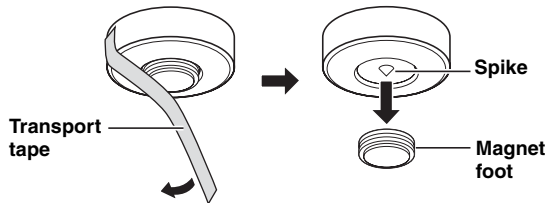
Use this jack to connect an external component for the trigger function.
For details on the connection, see page 22.

15 AC IN inlet

Use this inlet to plug in the supplied power cable.
For details on the connection, see page 19.

16 Foot

The feet of this unit include built-in spikes. Using the spikes can reduce the effect of vibrations on the set.
When using the spikes, remove the transport tape, then remove the magnet foot by pulling it.



Caution

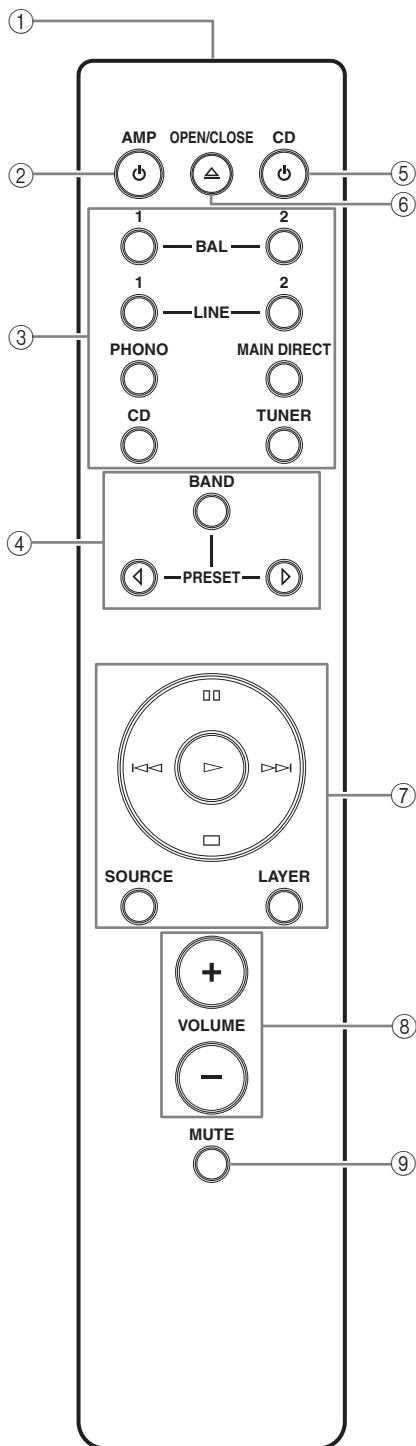
When using the feet's built-in spikes, the spikes may scratch the shelf or floor on which this unit is installed. Use the magnet feet or appropriate supports when placing this unit on expensive furniture, etc.



If this unit is unstable, you can adjust the foot height by rotating it.

Controls and functions

■ Remote control



① Infrared signal transmitter

Outputs infrared control signals.

② AMP key

Turns this unit ON or switches it to STANDBY mode. For details on STANDBY mode, see “Front panel” (page 6).

③ Input select keys

Selects the input source to be played back. The audio signals of the selected input source are output at the LINE 2 REC jacks.



When LINE 2 is selected as the input source, the audio signals are not output at the LINE 2 REC jacks.

BAL: Selects the component connected to the BAL 1 or BAL 2 jacks (balanced XLR jacks).

LINE: Selects the component connected to the LINE 1 or LINE 2 jacks.

PHONO: Selects the turntable connected to the PHONO jacks.

MAIN DIRECT: Selects the component connected to the MAIN IN jacks. When MAIN DIRECT is selected as the input source, the audio signals are not output at the PRE OUT, LINE 2 REC and PHONES jacks.

CD: Selects the CD player connected to the CD jacks (unbalanced RCA jacks).

TUNER: Selects the tuner connected to the TUNER jacks

④ Yamaha tuner control buttons

Control functions of Yamaha tuner. Refer to the owner’s manual of your tuner for details.

Note

Some Yamaha tuners cannot be controlled by this remote control.

⑤ **⏻ CD key**

Turns the Yamaha CD player ON or switches it to STANDBY mode.

⑥ **⏏ OPEN/CLOSE key**

Opens/closes the disc tray of the Yamaha CD player. Refer to the owner's manual of your CD player for details.

Note

Some Yamaha CD players do not support the CD key and/or **⏏** OPEN/CLOSE key of this remote control.

⑦ **Yamaha CD player control keys**

Control various functions of Yamaha CD player. Refer to the owner's manual of your CD player for details.

▷ (Play)

Starts playback.

⏏ (Pause)

Pauses playback. Press the **▷** or **⏏** to resume playback.

⏏ (Stop)

Stops playback.

⏮/▷ (Skip)

Skips to the next track, or skips back to the beginning of the current track.

SOURCE

Selects the source to be played on the Yamaha CD player. The playback source changes each time this key is pressed.

LAYER

Switches the playback layer of a hybrid SA-CD between SA-CD and CD.

⑧ **VOLUME +/- keys**

Control the volume level.

Note

The VOLUME keys do not affect when you select MAIN DIRECT as the input source. Adjust the volume level on the external amplifier connected to the MAIN IN jacks.

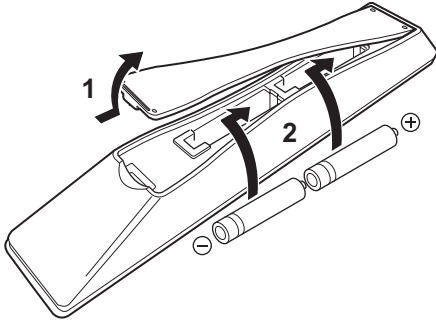
⑨ **MUTE key**

Reduces the current volume level by approximately 20 dB. Press again to restore the audio output to the previous volume level. Pressing the VOLUME + or - key also cancels muting.

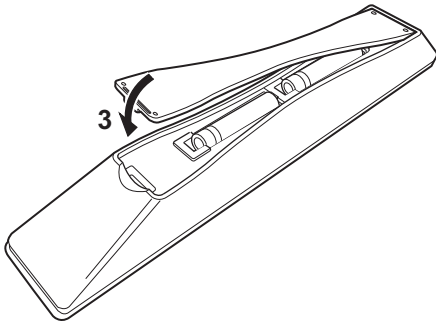
Controls and functions

■ Installing batteries in the remote control

- 1 Remove the battery compartment cover.
- 2 Insert the two batteries (AAA, R03, UM-4) according to the polarity markings (+ and -) on the inside of the battery compartment.



- 3 Reinstall the battery compartment cover.

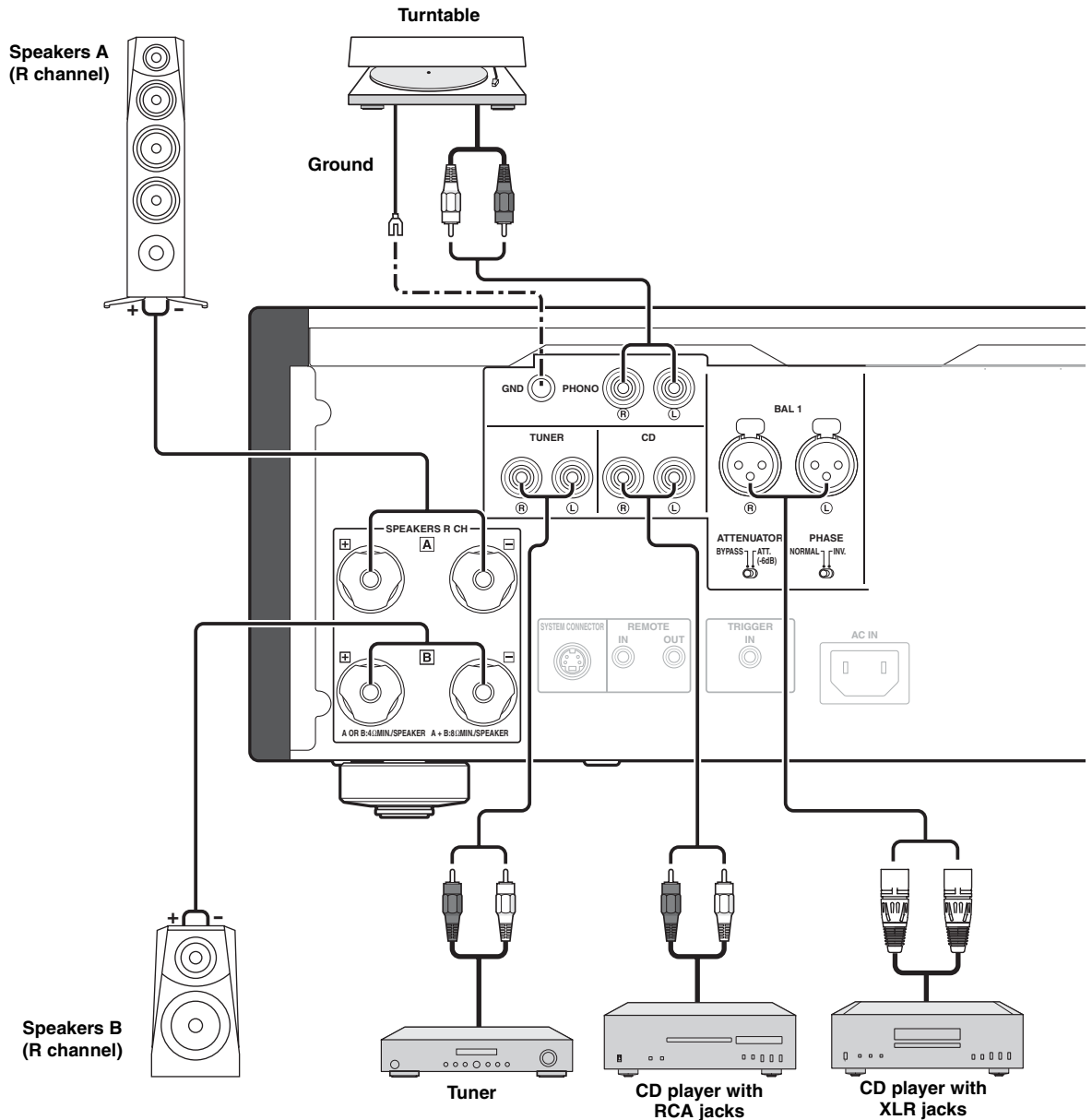


The image is a technical manual page for 'A-S3000 Connections'. It features a dark background with various metal components. The top section shows several cylindrical metal connectors of different sizes and orientations. The middle section contains the title 'A-S3000 Connections' in a serif font, with 'A-S3000' in italics and 'Connections' in bold. Below the title is a short paragraph in a sans-serif font. The bottom section shows four large, hexagonal metal connectors with a serrated edge, mounted on a dark surface with screws. The overall aesthetic is professional and technical.

A-S3000 **Connections**

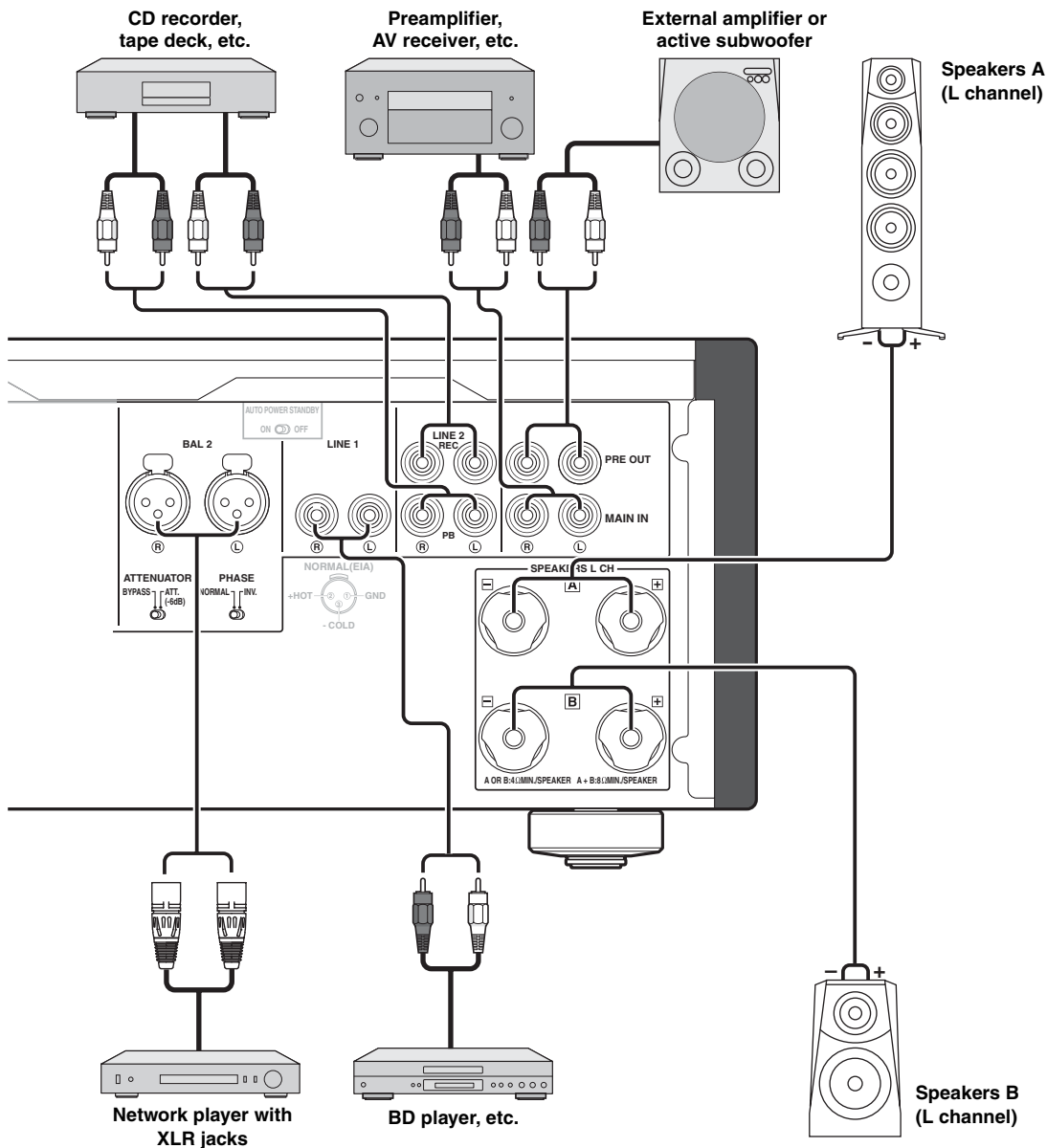
In this section, you will make connections between A-S3000, speakers, and source components.

Connections



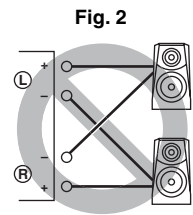
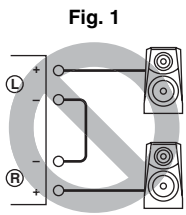
Caution

- Do not let the bare speaker wires touch each other or do not let them touch any metal part of this unit. This could damage this unit and/or the speakers.
- All connections must be correct: L (left) to L, R (right) to R, “+” to “+”, and “-” to “-”. If the connections are faulty, no sound will be heard from the speakers, and if the polarity of the speaker connections is incorrect, the sound will be unnatural and lack bass. Also, refer to the owner’s manual for each of your components.
- Use RCA unbalanced cables to connect other components except speakers. Use XLR balanced cables to connect a CD player or network player with XLR balanced output jacks to the BAL 1 or BAL 2 jacks of this unit.
- Connect your turntable to the GND terminal to reduce noise in the signal. However, you may hear less noise without the connection to the GND terminal for some turntables.



Caution

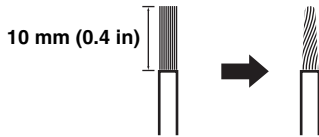
- Because the power amplifier of A-S3000 is of the floating balanced type, the following types of connections are not possible.
 - Connecting with the left channel “-” terminal and the right channel “-” terminal as well as “+” terminals (Fig. 1).
 - Connecting with the left channel “-” terminal and the right channel “+” terminal inverted (cross connection, Fig. 2).
 - Deliberately connecting with the left/right channel “-” terminals and metal part on the rear panel of this unit, as well as accidentally touching them.
- Do not connect your active subwoofer to the SPEAKERS L/R CH terminal. Connect it to the PRE OUT jacks of this unit.
- Do not connect a component with no volume control, such as a CD player, to the MAIN IN jacks, as the volume level of the signals input to the MAIN IN jacks is fixed. If such equipment is connected, a sound may burst, and the unit and/or speaker may be damaged.



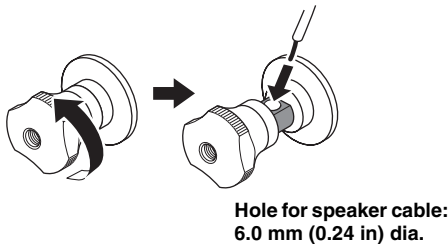
Connections

■ Connecting the speakers

- 1 Remove approximately 10 mm (0.4 in) of insulation from the end of each speaker cable and twist the exposed wires of the cable together to prevent short circuits.



- 2 Unscrew the knob and then insert the bare wire into the hole.



- 3 Tighten the knob.

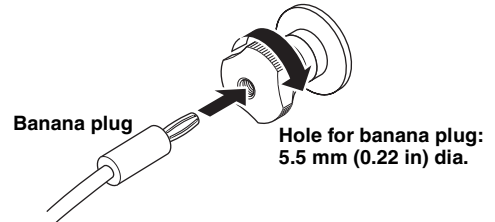


Caution

- When loosening the knob of the speaker terminal, do not rotate it excessively. The knob may come off and pose the danger of being swallowed by a child.
- Touching the speaker terminal with a metallic rack may cause short circuit and damage this unit. When installing the unit in a rack, maintain a sufficient clearance to prevent the speaker terminals from touching the rack.
- To reduce the risk of electric shock, do not touch the speaker terminal when the unit is turned on.

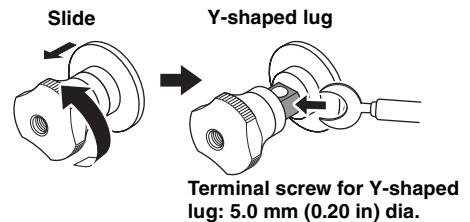
■ Connecting the banana plug (Except for Europe models)

First, tighten the knob and then insert the banana plug into the end of the corresponding terminal.



■ Connecting the Y-shaped lug

- 1 Unscrew the knob and then sandwich the Y-shaped lug between the ring part and base.



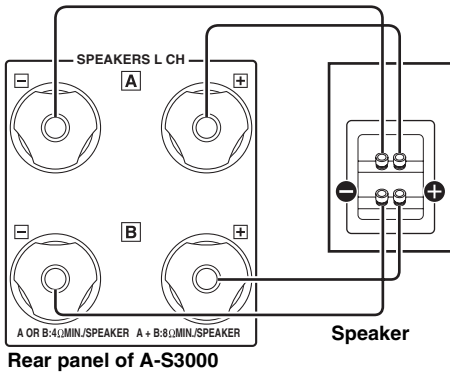
- 2 Tighten the knob.



■ Bi-wire connection

The bi-wire connection separates the woofer from the combined midrange and tweeter section. A bi-wire compatible speaker has four binding post terminals. These two sets of terminals allow the speaker to be split into two independent sections. This split connects the mid and high frequency drivers to one set of terminals and the low frequency driver to the other pair.

Example of a bi-wiring connection (L channel)



Caution

To use the bi-wire connections, the impedance of each speaker must be $8\ \Omega$ or higher.

Note

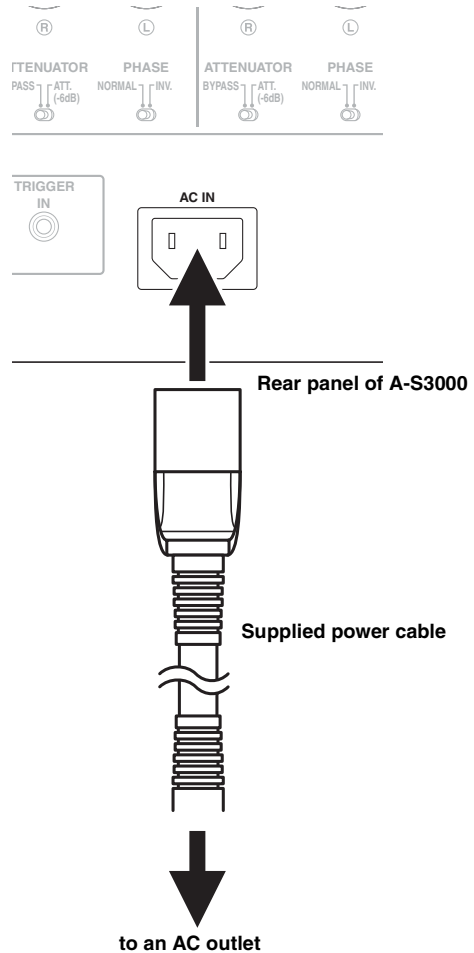
Remove the shorting bars or bridges to separate the LPF (low pass filter) and HPF (high pass filter) crossovers.



To use the bi-wire connections, switch the SPEAKERS selector to the A+B BI-WIRING position.

■ Connecting the power cable

Plug the power cable into the AC IN inlet when all connections are complete, and then plug in the power cable to the AC outlet.



Connections

■ Connecting to the BAL 1/BAL 2 jacks

Connect your CD player or network player with the XLR balanced output jacks.

Set the ATTENUATOR selector and PHASE selector located below the BAL 1 or BAL 2 jacks according to the component to be connected.

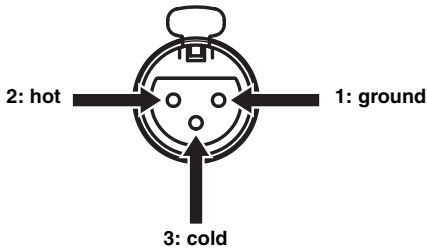
ATTENUATOR selector:

Select the allowable input level for the XLR balanced input jacks. If sound from the connected component is distorted, set the ATTENUATOR selector to ATT. (-6 dB).

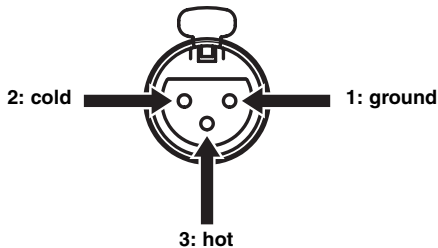
PHASE selector:

Select the assignment of the HOT pin of the XLR balanced input jacks (pin 2 HOT or pin 3 HOT).

NORMAL (pin 2 HOT)



INV. (pin 3 HOT)



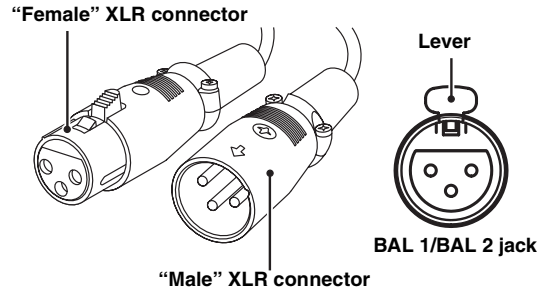
Refer to the owner's manual supplied with the connected component and verify the assignment of the HOT pin of its XLR balanced output jacks.



Yamaha CD players are set to NORMAL (pin 2 HOT).

XLR connectors:

When connecting, be sure to match the pins and insert the connector of the "male" XLR balanced cable until you hear a "click". When disconnecting, pull out the "male" XLR balanced cable while holding down the lever of the BAL 1 or BAL 2 jack.

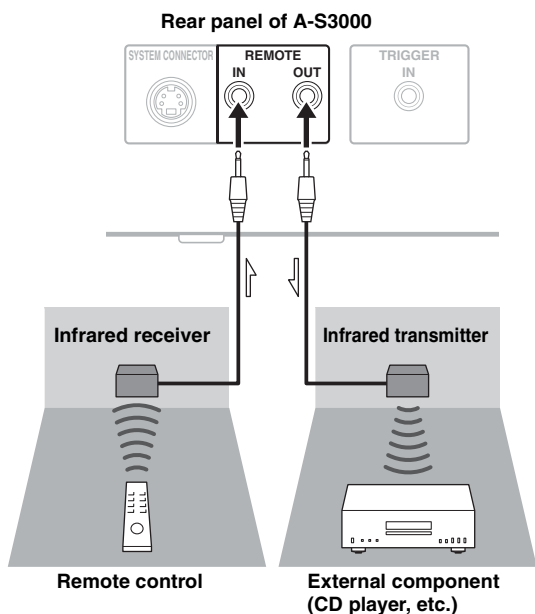


Note

To use the XLR balanced connection, you must select BAL 1 or BAL 2 as the input source.

■ Operating this unit from another room

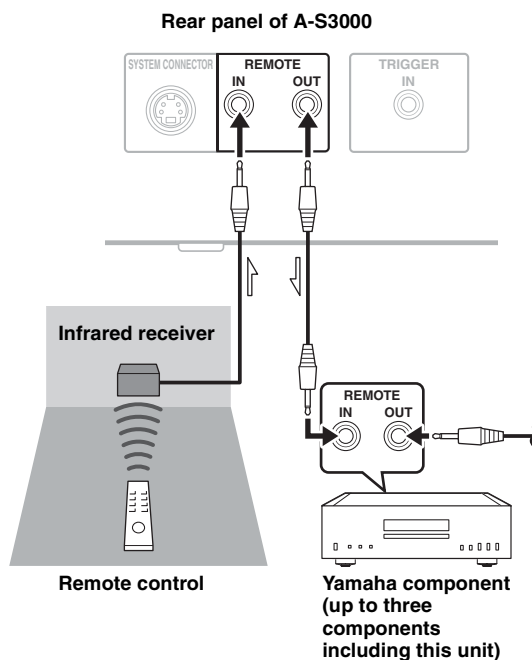
If you connect an infrared receiver and transmitter to the REMOTE IN/OUT jacks of this unit, you can operate the unit and/or external component using the supplied remote control located in another room.



■ Remote connection between Yamaha components

When you have another Yamaha component supporting remote connection, as this unit does, an infrared transmitter is not necessary. You can transmit remote signals by connecting an infrared receiver and the REMOTE IN jack of the other component to the REMOTE IN/OUT jacks of this unit, using cables with monaural miniplugs.

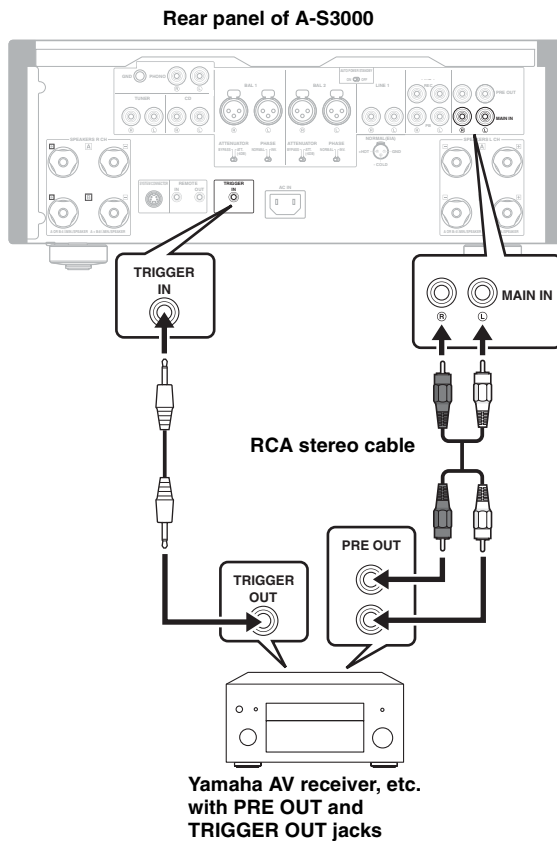
Up to three Yamaha components (including this unit) can be connected.



Connections

■ Connecting a component supporting the trigger function such as a Yamaha AV receiver

The operations of this unit can be controlled in synchronization with the operations of the connected component, such as a Yamaha AV receiver (power ON/STANDBY or MAIN DIRECT input selection). Connect the PRE OUT jacks and the TRIGGER OUT jack of the Yamaha AV receiver to this unit as illustrated below:



When the power of the connected component is turned on, this unit turns on and the input is set to MAIN DIRECT automatically.

When MAIN DIRECT is selected as the input source, this unit enters STANDBY mode if the power of the connected component is turned off.

Note

To enable synchronization, turn off this unit before connecting the component to the MAIN IN jacks. The synchronization cannot be activated when the STANDBY/ON/OFF switch of the unit has been set to OFF.

The image is a black and white photograph of a printer's internal components. The top half shows the printer's top cover and a portion of the internal mechanism. The bottom half shows a detailed view of the printer's internal electronics, including a printed circuit board (PCB) with various components like resistors, capacitors, and integrated circuits. A large, cylindrical component, possibly a motor or a large capacitor, is wrapped in clear plastic tape and has a hexagonal nut on top. The overall scene is a technical view of the printer's internal hardware.

A-S3000 Specifications

In this section, you will find technical specifications for A-S3000.

Specifications

POWER SECTION

- Rated Output Power
 - (8 Ω, 20 Hz to 20 kHz, 0.07% THD) 100 W + 100 W
 - (4 Ω, 20 Hz to 20 kHz, 0.07% THD) 150 W + 150 W
- Dynamic Power (IHF)
 - (8 Ω) 120 W + 120 W
 - (6 Ω) 150 W + 150 W
 - (4 Ω) 200 W + 200 W
 - (2 Ω) 300 W + 300 W
- Dynamic Headroom
 - (8 Ω) 0.79 dB
- Maximum Output Power
 - [U.K. and Europe models only]
 - (1 kHz, 0.7% THD, 4 Ω) 170 W + 170 W
- Maximum Effective Output Power (JEITA)
 - [Taiwan, China, Korea, Asia and U.K. models only]
 - (1 kHz, 10% THD, 8 Ω) 130 W + 130 W
 - (1 kHz, 10% THD, 4 Ω) 210 W + 210 W
- IEC Output Power [U.K. and Europe models only]
 - (1 kHz, 0.02% THD, 8 Ω) 105 W + 105 W
- Power Bandwidth
 - (MAIN L/R, 0.1% THD, 45 W, 8 Ω) 10 Hz to 60 kHz
- Damping Factor
 - (1 kHz, 8 Ω) 250 or higher
- Maximum Input Signal Voltage
 - PHONO MM (1 kHz, 0.003% THD) 50 mVrms
 - PHONO MC (1 kHz, 0.003% THD) 2.3 mVrms
 - CD, etc. (1 kHz, 0.5% THD) 2.80 Vrms
 - BAL 1/BAL 2 (1 kHz, 0.5% THD)
 - (BYPASS) 2.80 Vrms
 - (ATT. -6 dB) 5.60 Vrms
- Rated Output Voltage/Output Impedance
 - REC OUT 200 mVrms/1.5 kΩ
 - PRE OUT 1.0 Vrms/1.5 kΩ
- Frequency Response
 - CD, etc. (5 Hz to 100 kHz) +0/-3 dB
 - CD, etc. (20 Hz to 20 kHz) +0/-0.3 dB
- RIAA Equalization Deviation
 - PHONO MM ±0.5 dB
 - PHONO MC ±0.5 dB
- Total Harmonic Distortion
 - PHONO MM to REC OUT
 - (20 Hz to 20 kHz, 1.2 Vrms) 0.005%
 - PHONO MC to LINE 2 REC
 - (20 Hz to 20 kHz, 1.2 Vrms) 0.02%
 - BAL 1/BAL 2 to SPEAKERS
 - (20 Hz to 20 kHz, 50 W/8 Ω) 0.025%
 - CD, etc. to SPEAKERS
 - (20 Hz to 20 kHz, 50 W/8 Ω) 0.025%
- Signal to Noise Ratio (IHF-A Network)
 - PHONO MM (5 mVrms, Input shorted) 93 dB
 - PHONO MC (500 μVrms, Input shorted) 85 dB
 - CD, etc. (200 mVrms, Input shorted) 103 dB
- Residual Noise (IHF-A Network) 33 μVrms

CONTROL SECTION

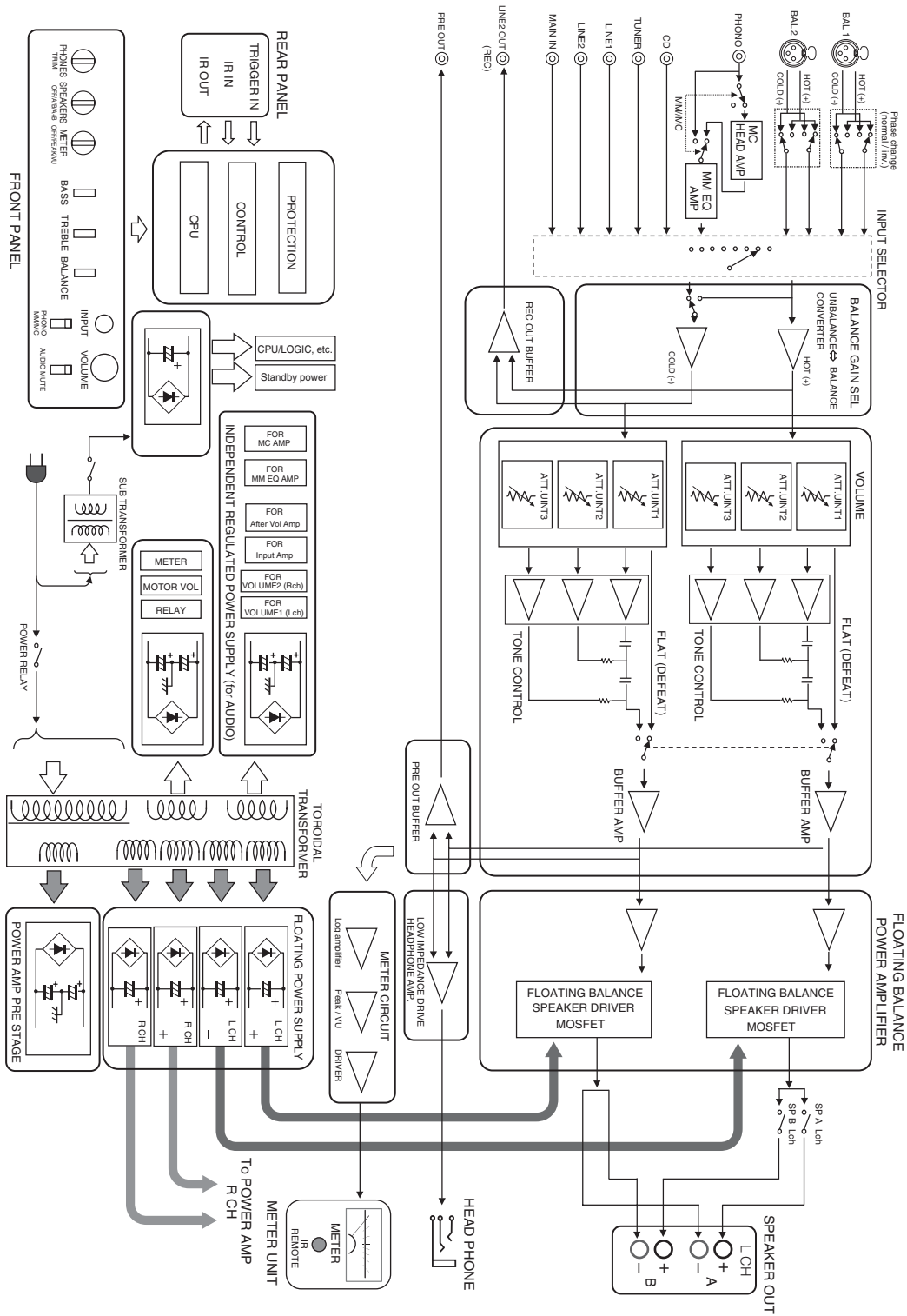
- Input Sensitivity/Input Impedance
 - CD, etc. 200 mVrms/47 kΩ
 - PHONO MM 2.5 mVrms/47 kΩ
 - PHONO MC 100 μVrms/50 Ω
 - MAIN IN 1 Vrms/47 kΩ
 - BAL 1/BAL 2 200 mVrms/100 kΩ
- Headphone Jack Rated Output Power
 - CD, etc. (1 kHz, 32 Ω, 0.2% THD) 70 mW + 70 mW
- Channel Separation
 - CD, etc. (Input, 5.1 kΩ Terminated, 1 kHz/10 kHz) 74/54 dB or higher
 - PHONO MM (Input shorted, 1 kHz/10 kHz, Vol.: -30 dB) 90/77 dB or higher
 - PHONO MC (Input shorted, 1 kHz/10 kHz, Vol.: -30 dB) 66/77 dB or higher
- Tone Control Characteristics
 - BASS
 - Boost/Cut (50 Hz) ±9 dB
 - Turnover Frequency 350 Hz
 - TREBLE
 - Boost/Cut (20 kHz) ±9 dB
 - Turnover Frequency 3.5 kHz

GENERAL

- Power Supply
 - [U.S.A and Canada models] AC 120 V, 60 Hz
 - [Taiwan model] AC 110 V, 60 Hz
 - [China model] AC 220 V, 50 Hz
 - [Korea model] AC 220 V, 60 Hz
 - [Australia model] AC 240 V, 50 Hz
 - [U.K. and Europe models] AC 230 V, 50 Hz
 - [Asia model] AC 220 - 240 V, 50/60 Hz
- Power Consumption
 - [U.S.A and Canada models] 500 VA
 - [Other models] 350 W
- Standby Power Consumption 0.3 W
- Dimensions (W × H × D) 435 × 180 × 464 mm
(17-1/8" × 7-1/8" × 18-1/4")
- Weight 24.6 kg (54.2 lbs)

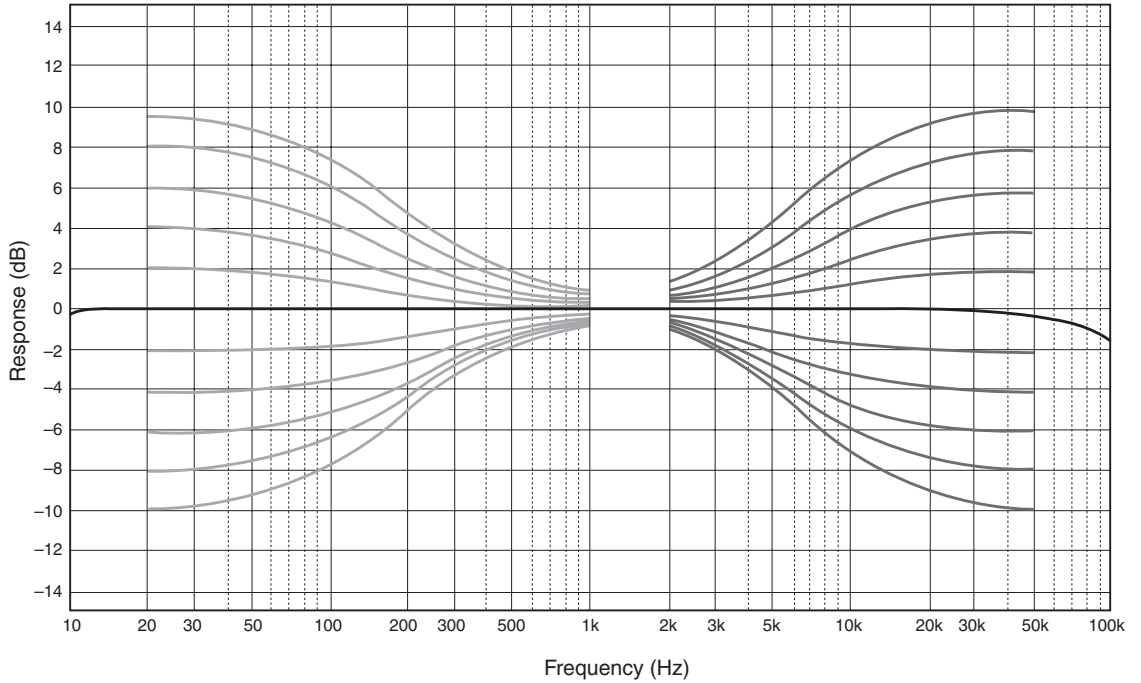
* Specifications are subject to change without notice.

Block diagram

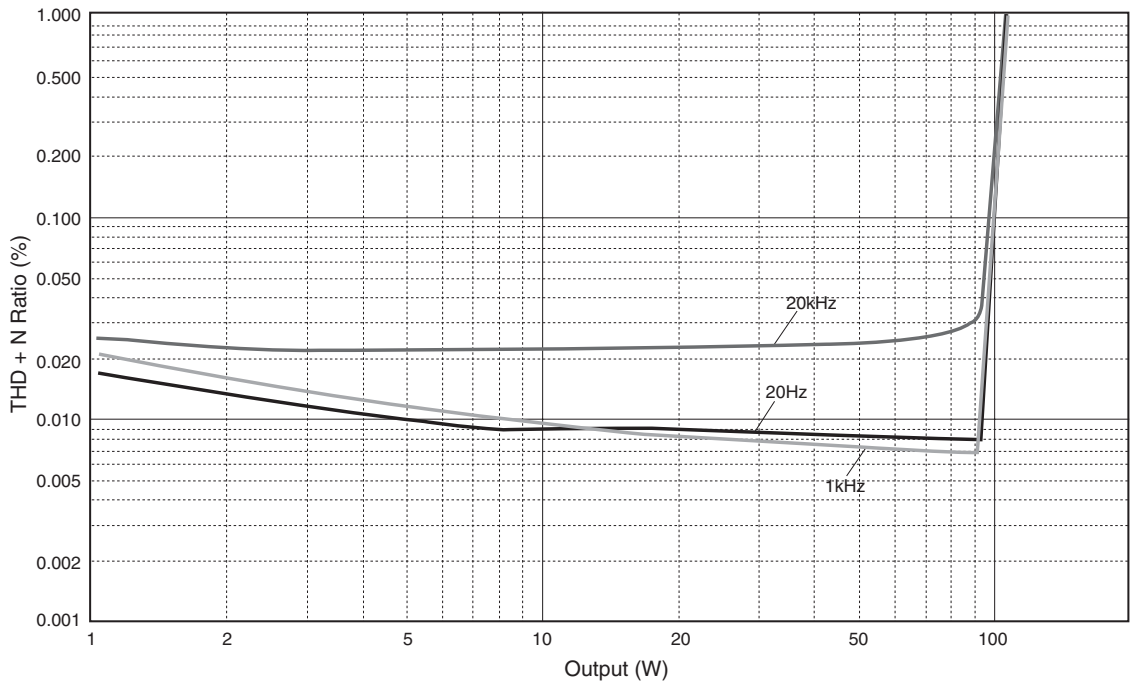


Specifications

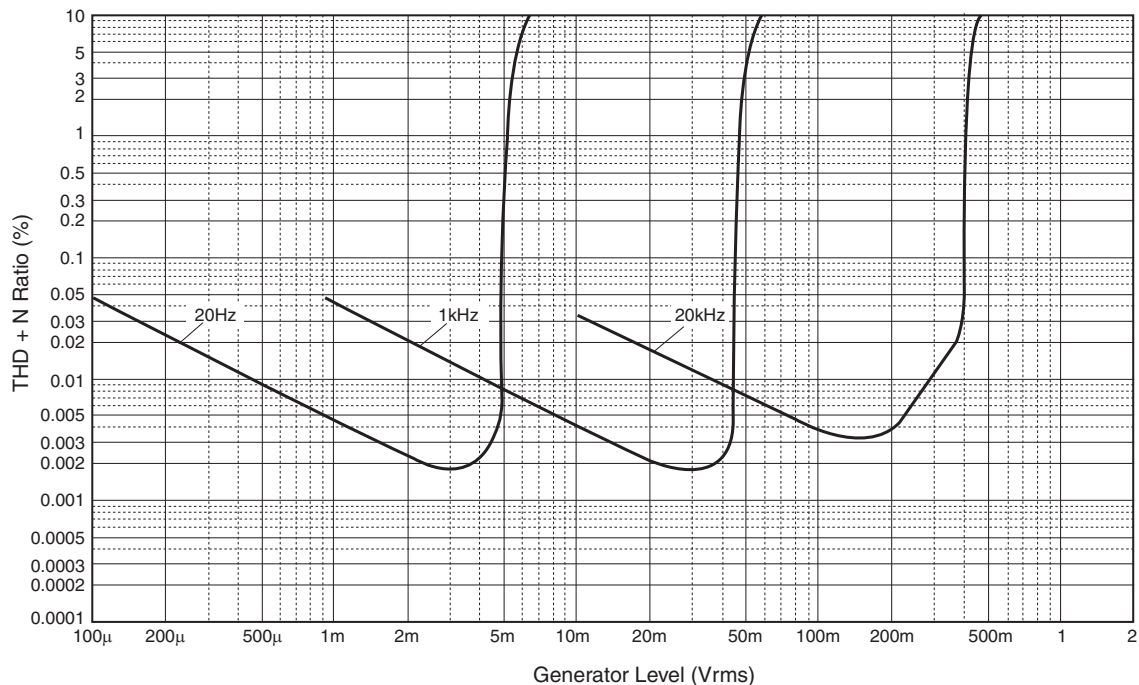
■ Tone control characteristics



■ Total harmonic distortion



■ Total harmonic distortion (PHONO)



Troubleshooting

Refer to the chart below if this unit does not function properly. If the problem you are experiencing is not listed below or if the instructions below do not help, turn off this unit, disconnect the power cable, and contact the nearest authorized Yamaha dealer or service center.

| Problem | Cause | Remedy | See page |
|---|--|---|----------|
| This unit fails to turn on. | The power cable is not connected to the AC IN inlet on the rear panel or not plugged in the AC wall outlet. | Connect the power cable firmly. | 19 |
| | The protection circuitry has been activated because of a short circuit, etc. | Check that the speaker wires are not touching each other or shorting out against the rear panel of this unit, and then turn the power of this unit back on. | 18 |
| | This unit has been exposed to a strong external electric shock (such as lightning or strong static electricity). | Turn off this unit, disconnect the power cable, plug it back in after 30 seconds, and then use it normally. | — |
| The STANDBY/ON indicator on the front panel flashes. | The protection circuitry has been activated because of a short circuit, etc. | Check that the speaker wires are not touching each other or shorting out against the rear panel of this unit, and then turn the power of this unit back on. | 18 |
| | There is a problem with the internal circuitries of this unit. | Disconnect the power cable and contact the nearest authorized Yamaha dealer or service center. | — |
| The INPUT indicator on the front panel flashes and the volume is turned down when you turn on this unit. | The protection circuitry has been activated because of a short circuit, etc. | Check that the speaker wires are not touching each other or shorting out against the rear panel of this unit, and then turn the power of this unit back on. | 18 |
| No sound. | Incorrect input or output cable connections. | Connect the cables properly. If the problem persists, the cables may be defective. | 16 |
| | No appropriate input source has been selected. | Select an appropriate input source with the INPUT selector on the front panel (or one of the input selector keys on the remote control). | 8, 12 |
| | The SPEAKERS selector is set to OFF. | Switch the SPEAKERS selector to the appropriate position. | 7 |
| | Speaker connections are not secure. | Secure the connections. | 18 |
| The sound suddenly goes off. | The protection circuitry has been activated because of a short circuit, etc. | Check that the speaker wires are not touching each other or shorting out against the rear panel of this unit, and then turn the power of this unit back on. | 18 |
| The volume level cannot be adjusted. | MAIN DIRECT is selected as the input source. | Adjust the volume on the connected component. Or connect external component to input jacks other than MAIN IN and select the corresponding input source. | 8, 9 |
| Only the speaker on one side can be heard. | Incorrect cable connections. | Connect the cables properly. If the problem persists, the cables may be defective. | 16 |
| | Incorrect setting for the BALANCE control. | Set the BALANCE control to the appropriate position. | 7 |
| There is a lack of bass and no ambience. | The + and – wires are connected in reverse at the amplifier or the speakers. | Connect the speaker wires to the correct + and – phase. | 16 |
| A “humming” sound is heard. | Incorrect cable connections. | Connect the audio cable plugs firmly. If the problem persists, the cables may be defective. | 16 |
| | No connection from the turntable to the GND terminal. | Connect the turntable to the GND terminal of this unit. | 16 |

| Problem | Cause | Remedy | See page |
|--|---|--|-----------------|
| The sound from the component connected to the BAL 1/BAL 2 jacks is degraded. | The sound level is higher than the maximum input level for the XLR balanced input jacks. | If the output level of the connected component is double, set the ATTENUATOR selector located below the input jacks to ATT. (-6 dB). | 20 |
| Bass is not spatial when BAL 1/BAL 2 (balanced input) is selected. | The polarity is incorrect. | Select the correct polarity with the PHASE selector. | 20 |
| The sound is degraded when listening with the headphones connected to the CD player connected to this unit. | The power of this unit is turned off. | Turn on the power of this unit. | — |
| The volume level is low while playing a record. | Incorrect setting for the PHONO switch on the front panel. | Switch the PHONO switch to the MM or MC position according to the type of magnetic cartridge of the turntable. | 9 |
| The remote control does not work or function properly. | Wrong distance or angle. | The remote control functions within a maximum range of 6 m (20 ft) and no more than 30 degrees off-axis from the front panel. | 8 |
| | Direct sunlight or lighting (from an inverter type of fluorescent lamp, etc.) is striking the remote control sensor of this unit. | Reposition this unit. | — |
| | The batteries are weak. | Replace all batteries. | 14 |

Taking care of this unit

Polish finish on the side panels

Use of Yamaha Unicon cloth (sold separately) is recommended. For heavy dirt, use Yamaha Piano Unicon (sold separately). For purchasing, contact your nearest authorized Yamaha dealer or service center.

Other finish

When you wipe this unit, do not use chemical solvents (alcohol, thinner, etc.), which might damage the finish. Use a clean, dry cloth. For heavy dirt, dampen a soft cloth in detergent diluted with water, wring it out, and clean this unit with the cloth.

Faire vivre la tradition du son

Un piano vient au monde grâce à la synergie parfaite entre une expertise technique avancée et des talents artistiques. Un tel piano peut créer un son qui reflète vraiment les sentiments de l'interprète.

L'étape finale de la production d'un piano est appelée « harmonisation ». C'est à ce moment-là que l'on donne son âme à l'instrument.

Un expert hautement qualifié concentre son esprit et sa sensibilité sur le son de chaque touche, en ajustant avec finesse la sensation dynamique des marteaux et en harmonisant parfaitement la tonalité et la vibration de l'ensemble des 88 touches. C'est une réalisation vraiment exceptionnelle.

Seule une oreille sensible et fine peut déterminer une telle qualité sonore. Nous appliquons ce même concept à la fabrication de nos produits audio. Le technicien effectue des tests d'écoute approfondis et chaque composant est étudié avant d'obtenir finalement le son idéal.

La tradition de la qualité audio de Yamaha remonte à plus de 125 ans et est toujours présente dans l'ensemble des produits Yamaha actuels.



L'excellence dans l'accomplissement audio

1920-
1960s

Premier Système Hi-Fi introduit en 1920

Nous avons introduit de nombreux composants Hi-Fi (tourne-disques, tuners FM/AM, amplificateurs intégrés, préamplis, amplificateurs de puissance et enceintes) en 1955 – 1965.



NS-20



CA-1000

Commercialisation de la série d'enceintes Natural Sound en 1967

Enceinte de contrôle NS-20



NS-690



NS-1000M

1970s

Amplificateur intégré CA-1000

Faisant partie des appareils de Classe A, le CA-1000 est devenu la norme pour les amplificateurs intégrés.

Enceinte Natural Sound NS-690

Enceinte de contrôle NS-1000M

Une enceinte véritablement légendaire, toujours vénérée par les passionnés de Hi-Fi.

Amplificateur de puissance B-1

Un ampli innovant utilisant des transistors FET à tous les étages.

Amplificateur de commande C-2

A reçu le premier prix au Salon International de la Musique et de la Hi-Fi de Milan.

Enceinte de contrôle pour studio NS-10M

Devenue l'une des enceintes de studio les plus populaires au monde.



B-1



C-2



PX-2



NS-10M



A-1

Amplificateur intégré A-1

Tourne-disque PX-2

Le premier tourne-disque à bras droit de Yamaha.



B-6



B-2x

1980s

Amplificateur de puissance B-6

Amplificateur de puissance pyramidal.

Tourne-disque GT-2000/L

Premier lecteur de CD (CD-1) commercialisé en 1983

Amplificateur de puissance B-2x

Amplificateur de puissance MX-10000 et Amplificateur de commande CX-10000

Ont redéfini les fonctionnalités des composants séparés.

Amplificateur intégré AX-1



MX-10000



CX-10000



Soavo-1



A-S2000

1990s

Lecteur de CD GT-CD1

Amplificateur de puissance MX-1 et préamplificateur CX-1

2000s

Systèmes d'enceintes Natural Sound Soavo-1 et Soavo-2

Amplificateur stéréo A-S2000 et lecteur de CD Super Audio CD-S2000



CD-S2000

2010s

Lecteur réseau NP-S2000



NP-S2000

A-S3000

◆ *La conception des circuits entièrement à symétrie flottante permet d'atteindre tout le potentiel de l'amplification analogique*

Un tout nouvel amplificateur de puissance à symétrie flottante qui atteint une parfaite symétrie et permet une transmission totalement symétrique (amplification) depuis la prise d'entrée jusque devant la prise d'enceinte.

◆ *Transmission du signal symétrique à tous les étages*

Cet amplificateur intégré offre une transmission symétrique sur tous les étages, combinant à la fois une grande puissance de sortie avec une bonne texture sonore et une performance R/N exceptionnelle.

◆ *Commandes de volume et de tonalité parallèles*

◆ *Sources d'alimentation de grande capacité avec quatre circuits séparés*

◆ *Conception symétrique gauche-droite avec construction rigide et stable*

◆ *Amplificateur phono discret*

◆ *Amplificateur de casque de haute qualité avec circuit d'attaque à basse impédance*

■ **Accessoires fournis**

Veillez vous assurer que tous les articles suivants vous ont bien été fournis.

- Boîtier de télécommande
- Piles (AAA, R03, UM-4) (×2)
- Câble d'alimentation
- BROCHURE SUR LA SÉCURITÉ

Table des matières

| | |
|-----------------------------------|----|
| Commandes et fonctions | 6 |
| Raccordements | 16 |
| Caractéristiques techniques | 24 |
| Guide de dépannage | 28 |

■ **À propos de ce manuel**

- Le symbole ☞ appelle votre attention sur un conseil d'utilisation.
- La couleur des images dans ce manuel peut être différente de l'original.
- Avant d'utiliser cet appareil, veuillez lire la « BROCHURE SUR LA SÉCURITÉ ».

A-S3000

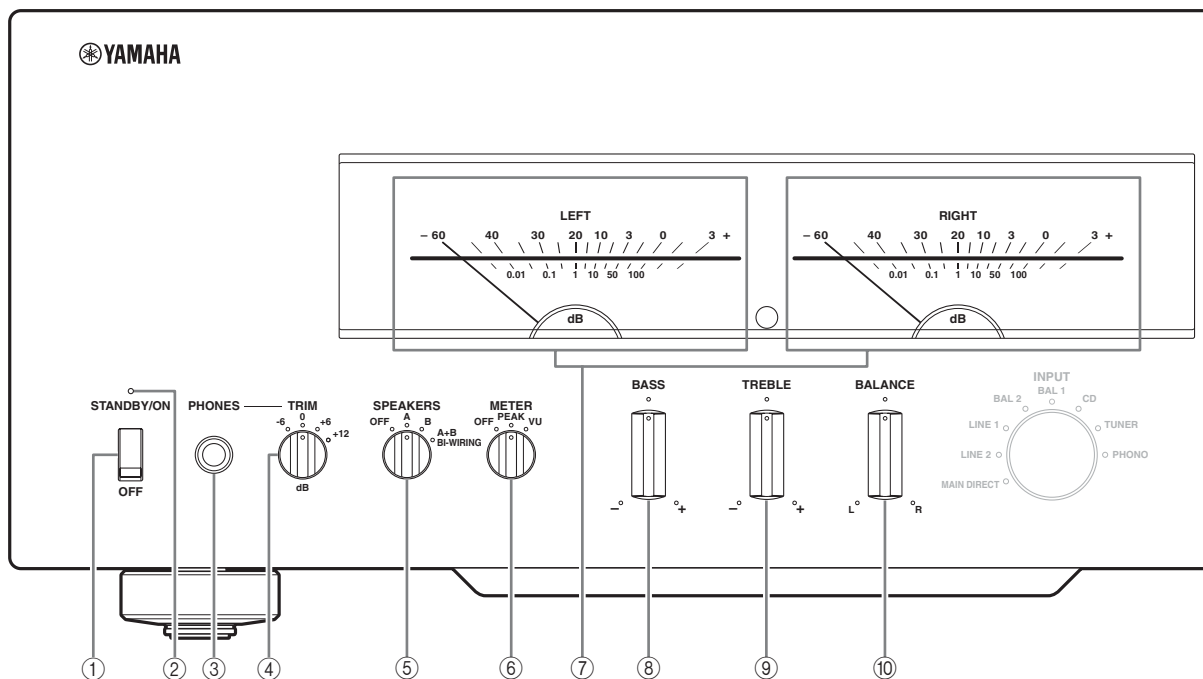
Commandes et fonctions

Ce chapitre décrit les commandes et fonctions de l'A-S3000.



Commandes et fonctions

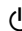
■ Panneau avant (pages 6 à 9)



① Commutateur STANDBY/ON/OFF

Met l'appareil sous tension ou hors tension.

STANDBY/ON (position supérieure) :

Dans cette position, vous pouvez sélectionner STANDBY ou ON à l'aide de la touche  AMP du boîtier de télécommande.

OFF (position inférieure) :

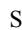
L'appareil est hors service.

Remarques

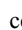
- Lorsque vous mettez l'appareil sous tension, celui-ci met quelques secondes à reproduire le son.
- Si vous débranchez le câble d'alimentation secteur de la prise secteur et le rebranchez lorsque cet appareil est en mode STANDBY, l'appareil est mis sous tension. Si l'appareil n'est pas utilisé pendant une période prolongée, réglez le commutateur STANDBY/ON/OFF sur OFF.

② Témoin STANDBY/ON

Fortement allumé :

Indique que l'appareil est sous tension. Dans cette condition, vous pouvez mettre l'appareil en mode STANDBY à l'aide de la touche  AMP du boîtier de télécommande.

Faiblement allumé :

Indique que l'appareil est en mode STANDBY. Dans cette condition, appuyez touche  AMP du boîtier de télécommande pour mettre l'appareil sous tension.

Éteint :

Indique que l'appareil est hors tension. Dans cette condition, vous pouvez mettre l'appareil sous tension à l'aide du commutateur STANDBY/ON/OFF uniquement.

③ Prise PHONES

Fournit les signaux audio destinés à l'écoute au casque.

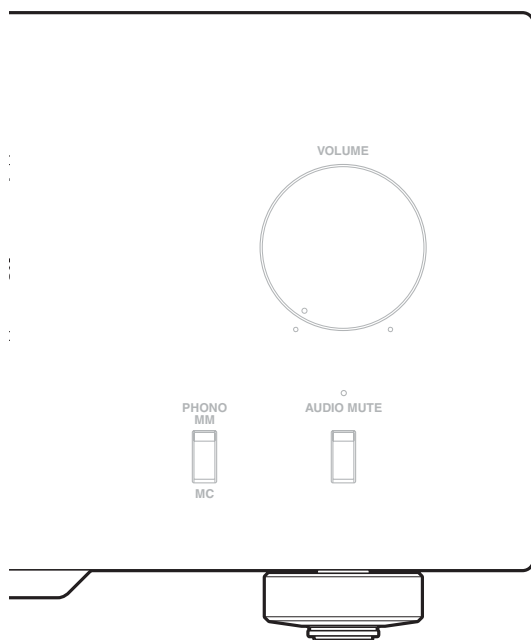
Remarques

- Lorsqu'un casque est branché :
 - Les deux paires d'enceintes raccordées aux bornes SPEAKERS L/R CH sont désactivées.
 - Aucun signal n'est transmis aux prises PRE OUT.
 - Vous ne pouvez pas sélectionner MAIN DIRECT comme source d'entrée.
- Si le casque est branché sur la prise PHONES lorsque MAIN DIRECT est sélectionné comme source d'entrée, aucun son n'est transmis à la prise PHONES.

④ Sélecteur TRIM

Ajuste le niveau sonore lorsque le casque est branché pour éviter les changements subits de volume.

Choix : -6 dB, 0 dB, +6 dB, +12 dB



⑤ Sélecteur SPEAKERS

Active ou désactive la paire d'enceintes raccordées aux bornes SPEAKERS L/R CH A et/ou B situées sur le panneau arrière.

- Basculez sur la position OFF pour désactiver les deux paires d'enceintes.
- Basculez sur la position A ou B pour activer la paire d'enceintes raccordée aux bornes SPEAKERS L/R CH A ou B.
- Basculez sur la position A+B BI-WIRING pour activer les deux paires d'enceintes.

Avertissement

Si vous utilisez deux paires (A et B), l'impédance de chaque enceinte doit être de 8 Ω ou plus.

⑥ Sélecteur METER

Commute l'affichage du compteur sur OFF, PEAK ou VU.

OFF :

Éteint le compteur et l'éclairage.

PEAK :

Bascule le compteur sur un PEAK-mètre. Le PEAK-mètre indique le niveau de sortie audio le plus élevé du moment.

VU :

Bascule le compteur sur un VU-mètre (VU signifiant unité de volume). Le VU-mètre indique une valeur de sortie audio effective semblable aux sens humains.

⑦ Affichages du compteur (LEFT/RIGHT)

Indique le niveau de sortie audio des voies gauche (LEFT) et droite (RIGHT) en mode de compteur VU ou PEAK.

Il est possible de sélectionner le compteur VU ou PEAK avec le sélecteur METER.

⑧ Commande BASS

Augmente ou diminue la réponse dans les basses fréquences. La position 0 correspond à une réponse plate.

Plage de réglage : -10 dB à +10 dB

⑨ Commande TREBLE

Augmente ou diminue la réponse dans les hautes fréquences. La position 0 correspond à une réponse plate.

Plage de réglage : -10 dB à +10 dB

⑩ Commande BALANCE

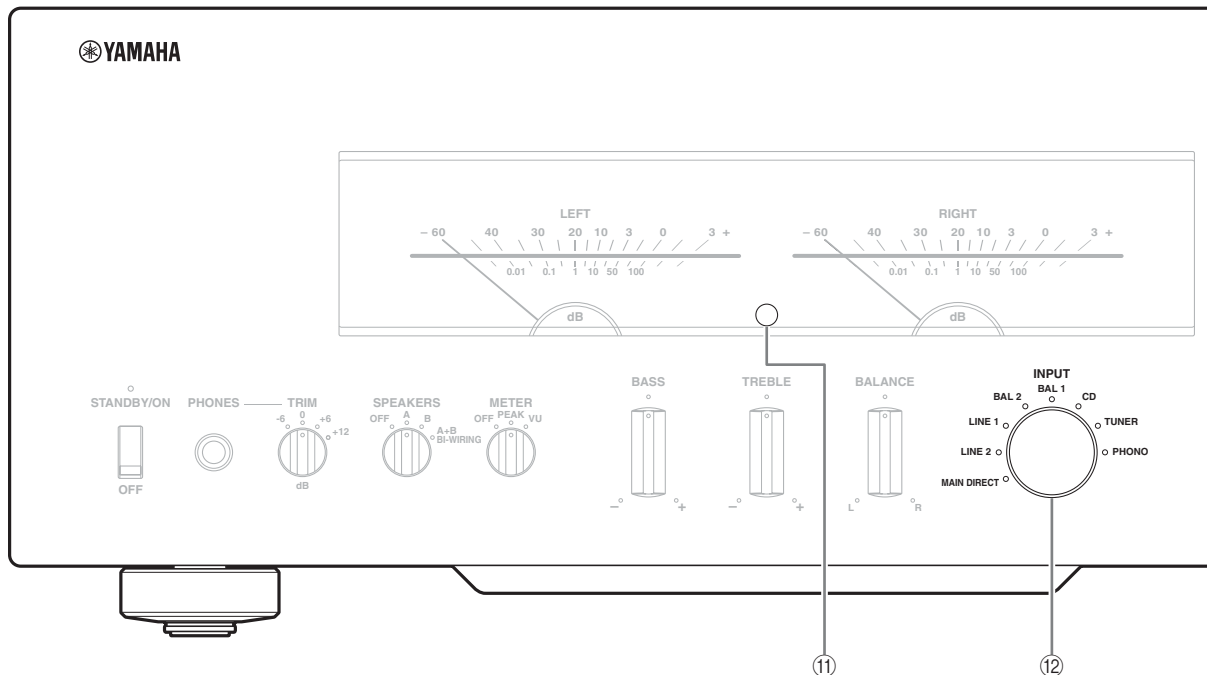
Équilibre le son fourni par les enceintes gauche et droite pour compenser le déséquilibre dû à la disposition des enceintes ou à la configuration de la pièce.

Remarques

- Lorsque les commandes BASS et TREBLE sont toutes deux sur la position 0, le signal audio ne passe pas par le circuit de commandes de tonalité.
- Les commandes BASS, TREBLE et BALANCE n'affectent pas l'entrée des signaux dans les prises MAIN IN et la sortie des signaux des prises LINE 2 REC.

Commandes et fonctions

■ Panneau avant (pages 6 à 9)

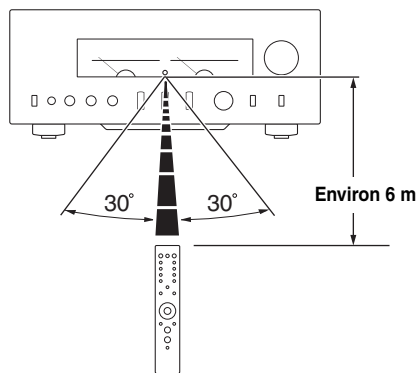


⑪ Capteur de télécommande

Il reçoit les signaux émis par le boîtier de télécommande.



Le boîtier de télécommande émet un faisceau infrarouge directionnel. Veuillez à le pointer directement sur le capteur de télécommande de l'appareil pour en assurer le fonctionnement.



⑫ Sélecteur/Témoin INPUT

Sélectionne la source d'entrée à lire. Le témoin de la source d'entrée sélectionnée avec le sélecteur INPUT s'allume.

Les signaux audio de la source d'entrée sélectionnée sont aussi transmis aux prises LINE 2 REC.

MAIN DIRECT : sélectionne le composant branché aux prises MAIN IN.

Lorsque MAIN DIRECT est sélectionné comme source d'entrée, les signaux audio ne sont pas transmis aux prises PRE OUT, LINE 2 REC et PHONES.

LINE 1/LINE 2 : sélectionne le composant branché aux prises LINE 1 ou LINE 2.

BAL 1/BAL 2 : sélectionne le composant branché aux prises BAL 1 ou BAL 2 (prises XLR symétriques).

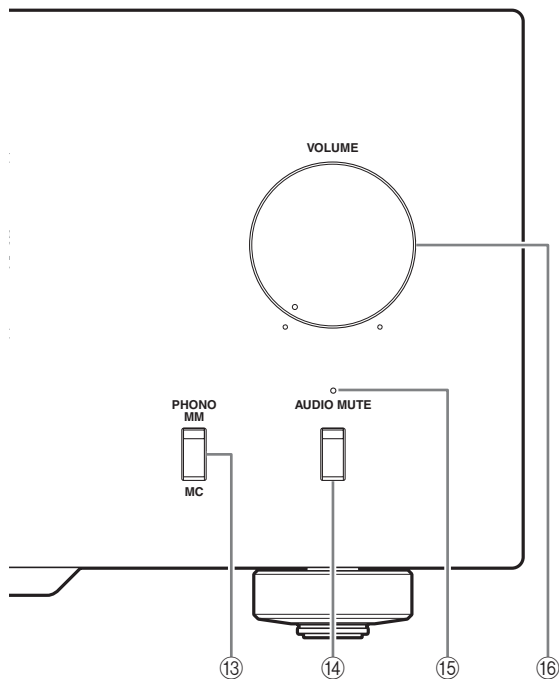
CD : sélectionne le lecteur de CD branché aux prises CD (prises RCA asymétriques).

TUNER : sélectionne le syntoniseur branché aux prises TUNER.

PHONO : sélectionne le tourne-disque branché aux prises PHONO.

Remarque

Lorsque LINE 2 est sélectionné, les signaux audio ne sont pas transmis aux prises LINE 2 REC.



⑮ **Témoin AUDIO MUTE**

S'allume lorsque le silencieux est activé avec le commutateur AUDIO MUTE.

⑯ **Commande VOLUME**

Contrôle le niveau sonore. Elle est sans effet vis-à-vis du niveau de sortie des prises LINE 2 REC.

Remarque

La commande VOLUME n'agit pas lorsque vous sélectionnez MAIN DIRECT comme source d'entrée. Réglez le niveau sonore avec la commande de volume de l'amplificateur externe raccordé aux prises MAIN IN.

⑬ **Commutateur PHONO**

Sélectionne le type de cartouche magnétique du tourne-disque raccordé aux prises PHONO situées sur le panneau arrière.

- Appuyez vers le haut pour choisir la position MM si le tourne-disque est raccordé à une cartouche à aimant mobile (MM).
- Appuyez vers le bas pour choisir la position MC si le tourne-disque est raccordé à une cartouche à bobine mobile (MC).



Avant de remplacer la cartouche, veillez à mettre cet appareil hors tension.

⑭ **Commutateur AUDIO MUTE**

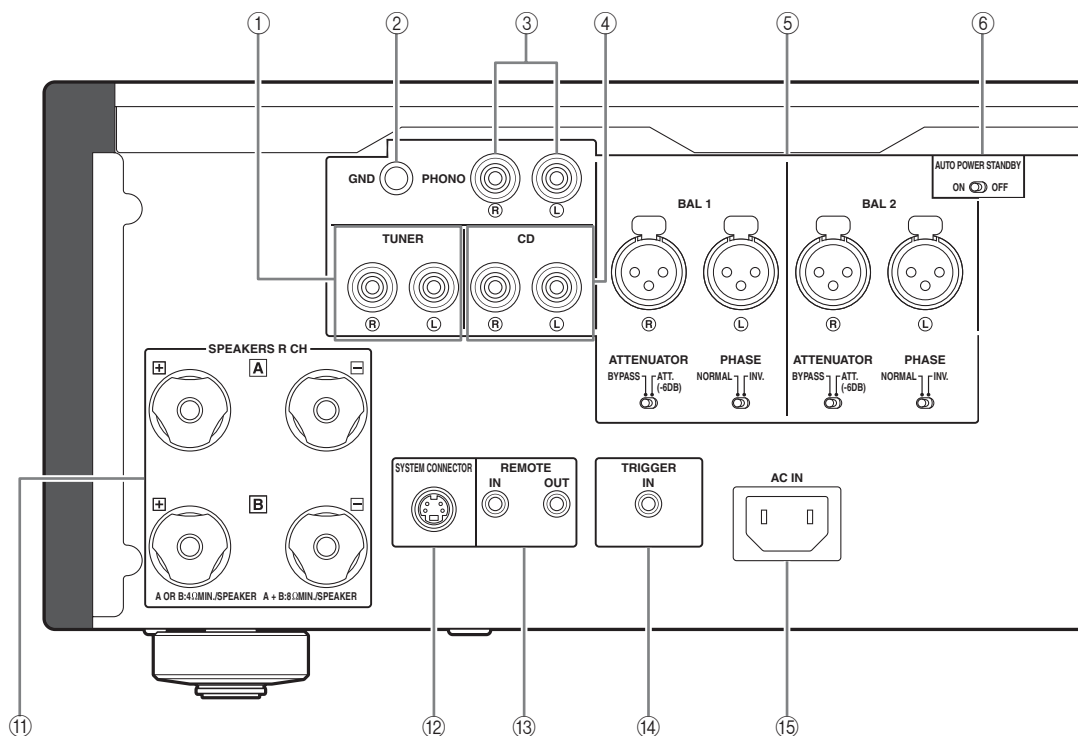
Appuyez vers le bas pour réduire le niveau sonore d'environ 20 dB. Appuyez une nouvelle fois sur cette touche pour rétablir le niveau sonore initial.



Vous pouvez aussi tourner la commande VOLUME du panneau avant ou appuyer sur la touche VOLUME + ou – du boîtier de télécommande pour rétablir le son.

Commandes et fonctions

■ Panneau arrière



Voir page 16 en ce qui concerne les raccordements.

① **Prises d'entrée TUNER**

② **Borne GND (masse)**

③ **Prises d'entrée PHONO**

④ **Prises d'entrée CD**

⑤ **Prises d'entrée (symétriques) BAL 1/BAL 2**

Deux jeux de prises d'entrée symétriques sont fournis. Réglez le sélecteur ATTENUATOR et le sélecteur PHASE associés aux prises BAL 1 ou BAL 2 en fonction du lecteur branché aux prises correspondantes. Pour plus de détails sur les réglages, voir page 20.

⑥ **Commutateur AUTO POWER STANDBY**

ON :

L'appareil entre automatiquement en mode STANDBY s'il n'est pas utilisé pendant 8 heures.

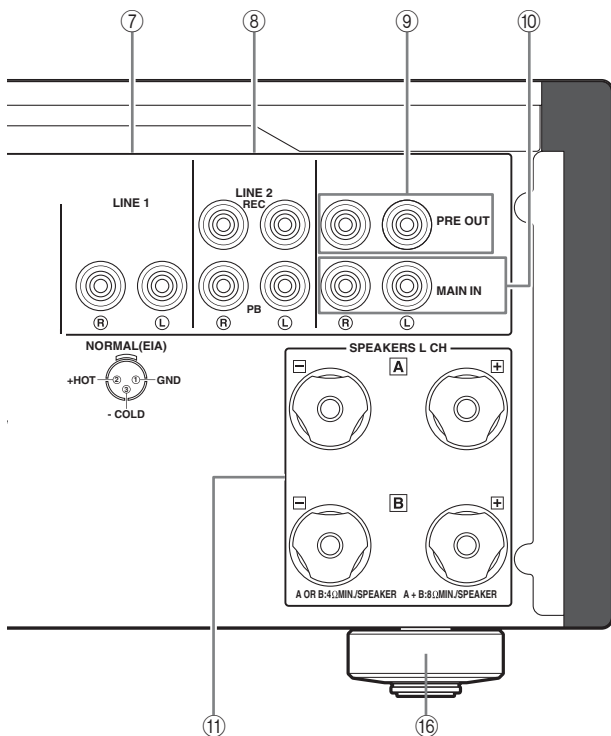
OFF :

L'appareil n'entre pas automatiquement en mode STANDBY.

⑦ **Prises d'entrée LINE 1**

⑧ **Prises LINE 2**

Les prises d'entrée PB (lecture) et les prises de sortie REC (enregistrement) sont fournies.



9 Prises PRE OUT



- Les prises PRE OUT transmettent le signal de la même voie que les bornes SPEAKERS L/R CH.
- Lorsque vous raccordez un câble stéréo aux prises PRE OUT pour que les enceintes soient entraînées par un amplificateur externe, vous n'avez pas besoin d'utiliser les bornes SPEAKERS L/R CH.
- Les signaux transmis aux prises PRE OUT sont modifiés en fonction des réglages des commandes BASS et TREBLE.

10 Prises MAIN IN

Utilisez ces prises pour raccorder un composant externe équipé d'une commande de volume.

Remarque

Lorsque vous sélectionnez MAIN DIRECT comme source d'entrée, le niveau sonore est fixe. Réglez le niveau sonore avec la commande de volume de l'amplificateur externe branché aux prises MAIN IN lorsque vous sélectionnez MAIN DIRECT comme source d'entrée.

Pour le branchement aux prises MAIN IN, voir pages 16 et 17.

11 Bornes SPEAKERS L/R CH

12 SYSTEM CONNECTOR

Utilisez ce connecteur pour brancher un dispositif de test de produits pour l'entretien.

13 Prises REMOTE IN/OUT

Utilisez ces prises afin de raccorder un composant externe pour le boîtier de télécommande. Pour plus de détails sur le raccordement, voir page 21.

14 Prise TRIGGER IN

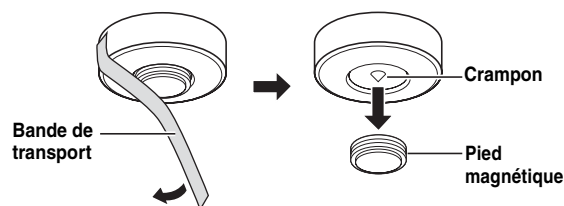
Utilisez cette prise afin de brancher un composant externe pour la fonction de déclenchement. Pour plus de détails sur le raccordement, voir page 22.

15 Prise AC IN

Utilisez cette prise pour brancher le câble d'alimentation secteur fourni. Pour plus de détails sur le raccordement, voir page 19.

16 Pied

Les pieds de cet appareil sont pourvus de crampons. Utilisez ces crampons pour réduire l'effet des vibrations sur l'appareil. Lorsque vous utilisez les crampons, retirez la bande de transport, puis ôtez le pied magnétique en tirant sur celui-ci.



Avertissement

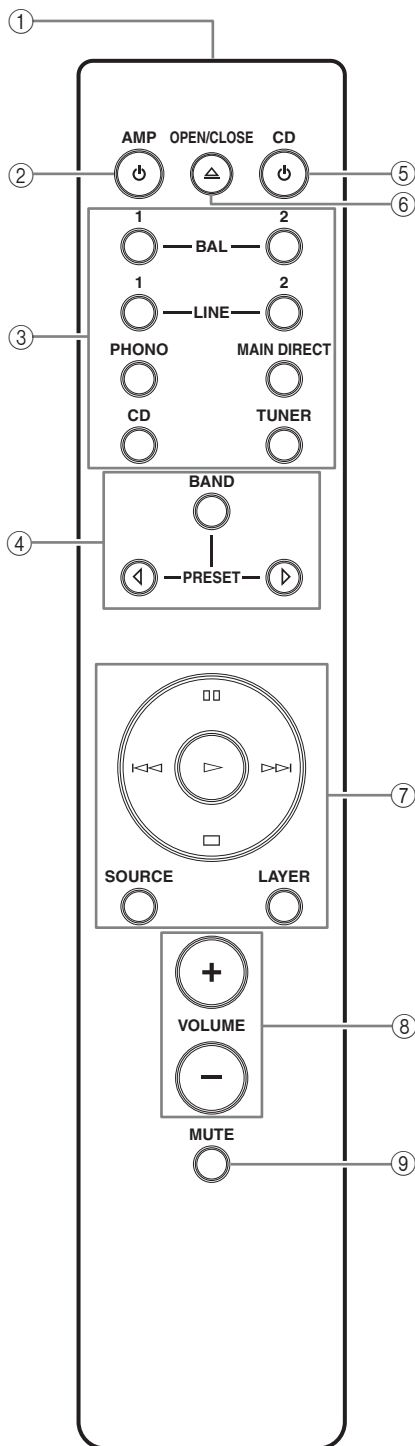
Les crampons des pieds peuvent rayer l'étagère ou la surface où vous installez cet appareil lorsque vous les utilisez. Utilisez les pieds magnétiques ou des supports appropriés pour placer cet appareil sur des meubles de valeur, etc.



Si l'appareil n'est pas stable, vous pouvez ajuster la hauteur d'un pied en le tournant.

Commandes et fonctions

■ Boîtier de télécommande



① Émetteur de signal infrarouge

Émet des signaux de commande infrarouges.

② Touche AMP

Met cet appareil sous tension ou le bascule en mode STANDBY.

Pour plus de détails sur le mode STANDBY, voir « Panneau avant » (page 6).

③ Touches de sélection d'entrée

Sélectionne la source d'entrée à lire.

Les signaux audio de la source d'entrée sélectionnée sont transmis aux prises LINE 2 REC.



Lorsque LINE 2 est sélectionné comme source d'entrée, les signaux audio ne sont pas transmis aux prises LINE 2 REC.

BAL : sélectionne le composant branché aux prises BAL 1 ou BAL 2 (prises XLR symétriques).

LINE : sélectionne le composant branché aux prises LINE 1 ou LINE 2.

PHONO : sélectionne le tourne-disque branché aux prises PHONO.

MAIN DIRECT : sélectionne le composant branché aux prises MAIN IN. Lorsque MAIN DIRECT est sélectionné comme source d'entrée, les signaux audio ne sont pas transmis aux prises PRE OUT, LINE 2 REC et PHONES.

CD : sélectionne le lecteur de CD branché aux prises CD (prises RCA asymétriques).

TUNER : sélectionne le syntoniseur branché aux prises TUNER.

④ Touches de commande du syntoniseur Yamaha

Commandent des fonctions du syntoniseur Yamaha. Reportez-vous au mode d'emploi du syntoniseur pour le détail.

Remarque

Certains syntoniseurs Yamaha ne peuvent pas être commandés par ce boîtier de télécommande.


⑤ **Touche  CD**

Met le lecteur de CD Yamaha sous tension ou le bascule en mode STANDBY.

⑥ **Touche  OPEN/CLOSE**

Ouvre/Ferme le tiroir du lecteur de CD Yamaha. Reportez-vous au mode d'emploi du lecteur de CD pour le détail.

Remarque

Certains lecteurs de CD Yamaha ne prennent pas en charge la touche CD et/ou la touche  OPEN/CLOSE de ce boîtier de télécommande.

⑦ **Touches de commande du lecteur de CD Yamaha**

Commandent différentes fonctions du lecteur de CD Yamaha. Reportez-vous au mode d'emploi du lecteur de CD pour le détail.

▷ (Lecture)

Démarre la lecture.

⏏ (Pause)

Met la lecture en pause. Appuyez sur ▷ ou ⏏ pour poursuivre la lecture.

□ (Stop)

Arrête la lecture.

⏮/⏭ (Saut)

Passé à la plage suivante ou revient au début de la plage actuelle.

SOURCE

Sélectionne la source à lire sur le lecteur de CD Yamaha. La source de lecture change à chaque pression de cette touche.

LAYER

Sélectionne la couche de lecture SA-CD ou CD d'un SA-CD hybride.

⑧ **Touches VOLUME +/-**

Commandent le niveau sonore.

Remarque

Les touches VOLUME n'agissent pas lorsque vous sélectionnez MAIN DIRECT comme source d'entrée. Réglez le niveau de volume de l'amplificateur externe branché aux prises MAIN IN.

⑨ **Touche MUTE**

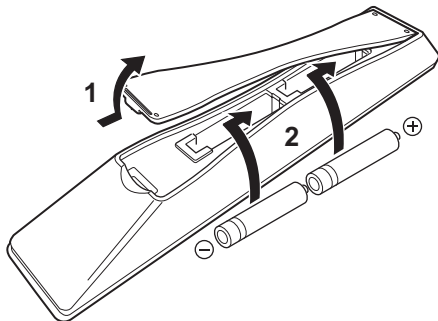
Réduit le niveau sonore actuel d'environ 20 dB. Appuyez une nouvelle fois sur cette touche pour rétablir le niveau sonore initial. Vous pouvez également appuyer sur la touche VOLUME + ou - pour annuler le silencieux.

Commandes et fonctions

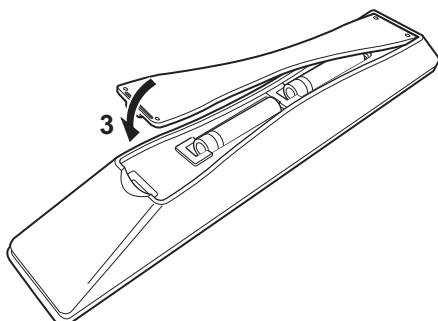
■ Mise en place des piles dans le boîtier de télécommande

1 Retirez le couvercle du logement des piles.

2 Insérez les deux piles (AAA, R03, UM-4) en suivant les repères de polarité (+ et -) à l'intérieur du logement des piles.



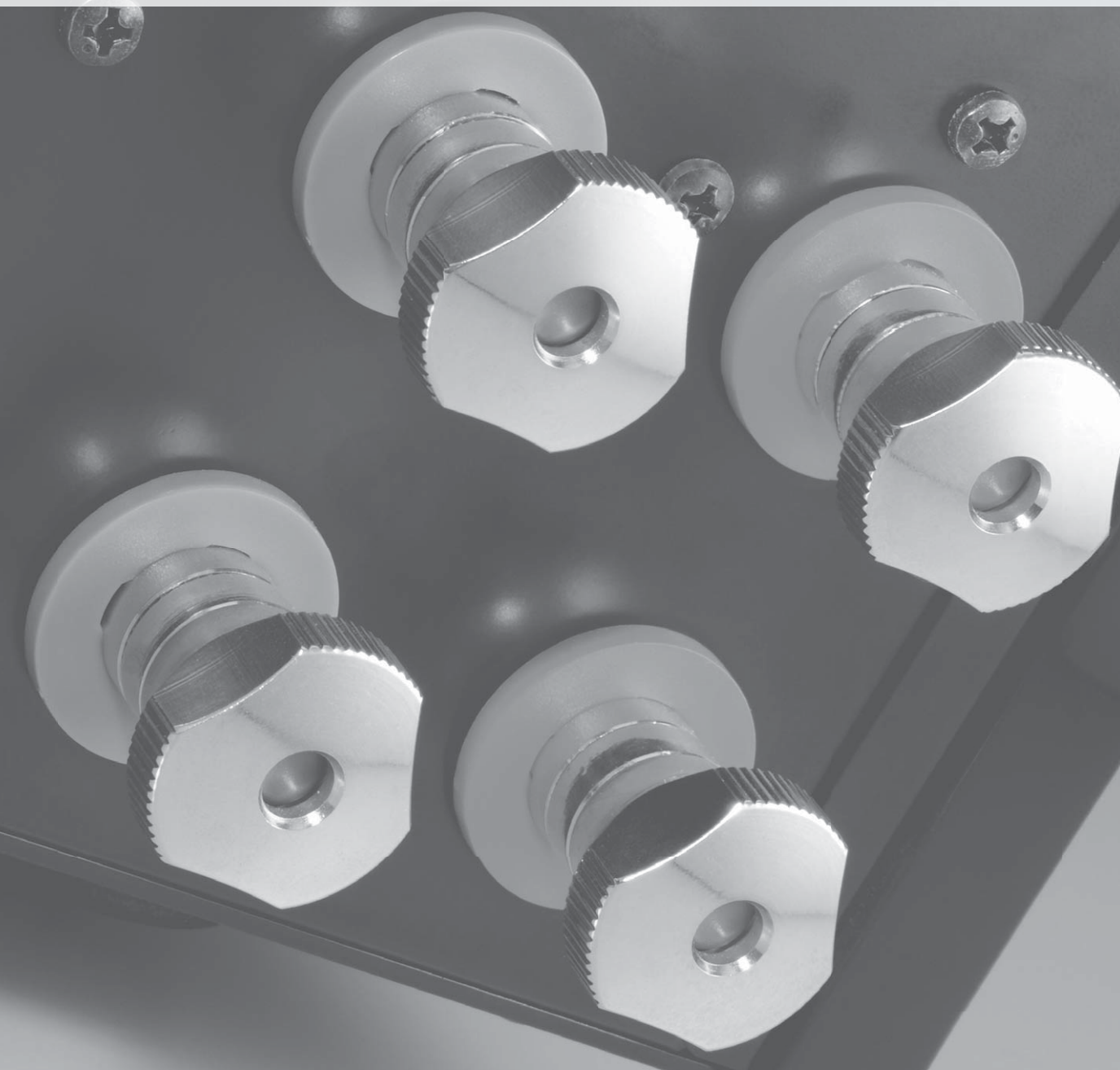
3 Remplacez le couvercle du logement des piles.



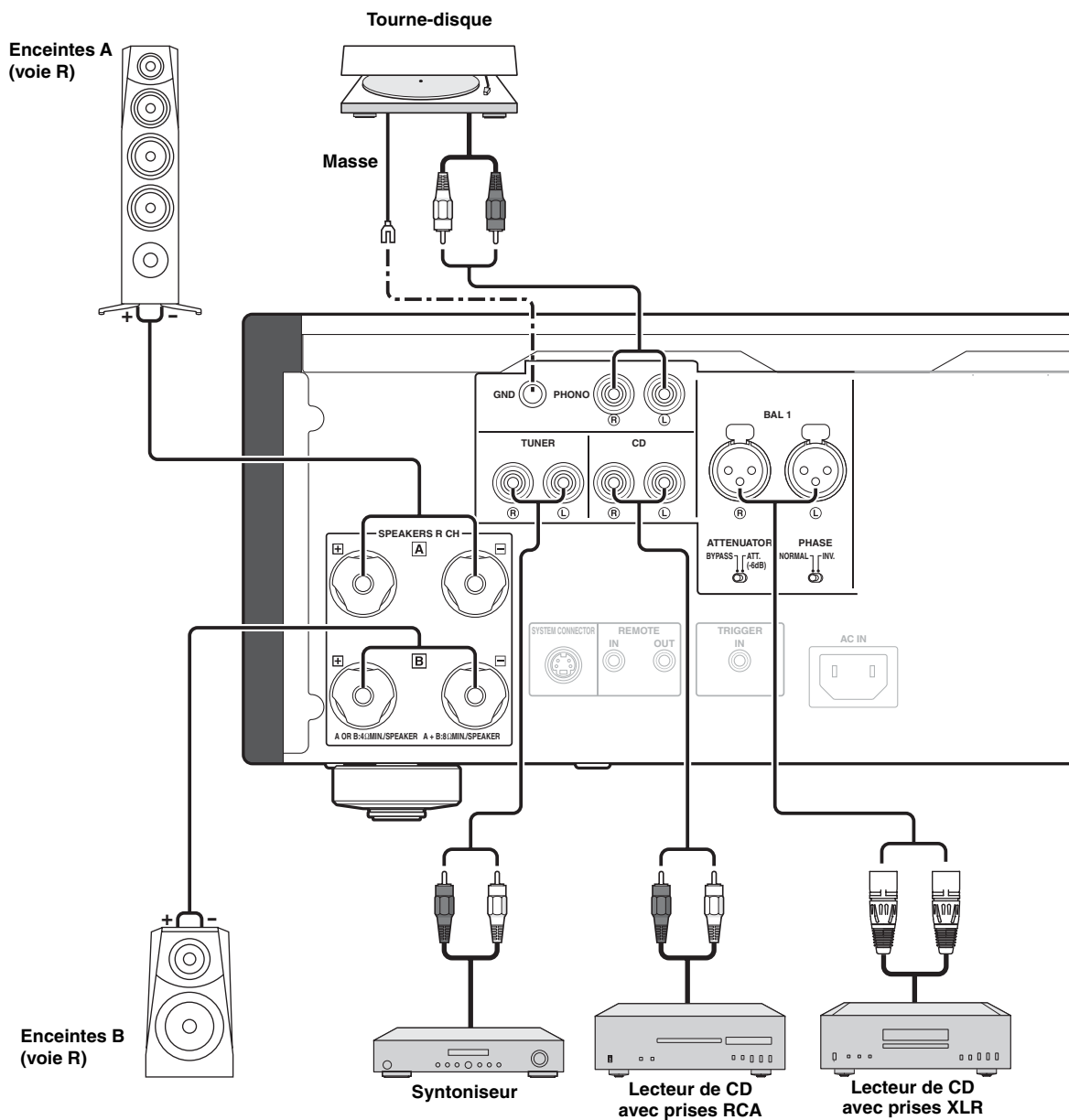


A-S3000 **Raccordements**

Dans cette section, vous allez raccorder l'A-S3000, les enceintes et les composants source.

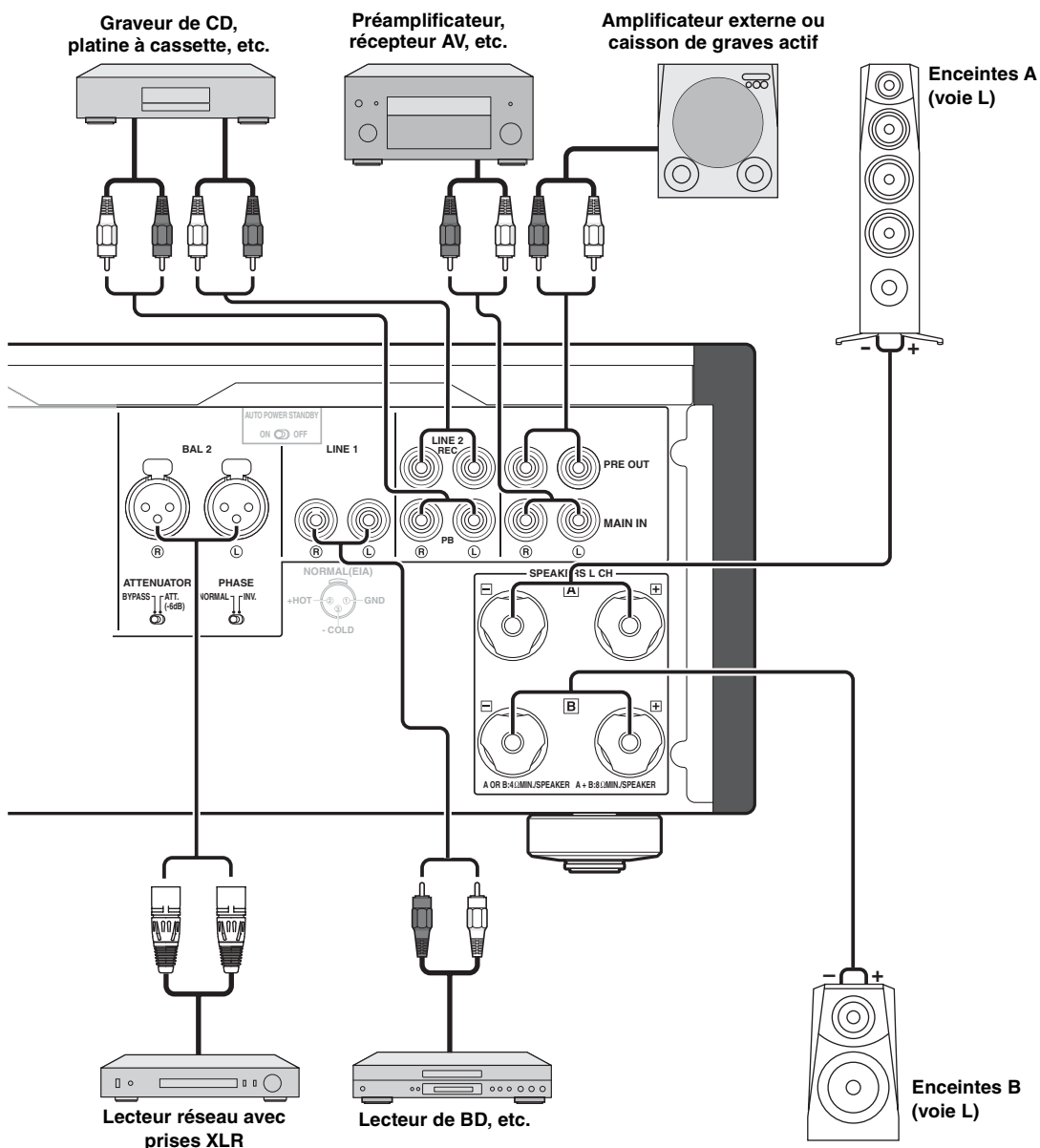


Raccordements



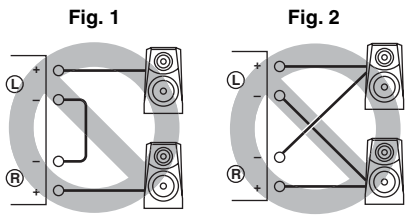
Avertissement

- Faites en sorte que la partie dénudée d'un conducteur du câble d'enceinte ne puisse pas venir en contact avec la partie dénudée de l'autre conducteur, ni avec une pièce métallique de cet appareil. Ce contact pourrait endommager l'appareil et/ou les enceintes.
- Tous les raccordements doivent être corrects : L (gauche) à L, R (droite) à R, « + » à « + » et « - » à « - ». Si le raccordement est défectueux, aucun son n'est émis par l'enceinte, et si la polarité du raccordement est incorrecte, les sons manquent de naturel et de composantes graves. Reportez-vous aussi au mode d'emploi de chaque appareil.
- Utilisez des câbles RCA asymétriques pour relier d'autres appareils à l'exception des enceintes. Utilisez des câbles symétriques XLR « mâles » pour relier un lecteur de CD ou un lecteur réseau pourvu de prises de sortie symétriques XLR aux prises de sortie symétriques aux prises BAL 1 ou BAL 2 de cet appareil.
- Raccordez votre tourne-disque à la borne GND pour réduire le bruit parasitant le signal. Toutefois, avec certains tourne-disques les parasites sont moins importants sans raccordement à la borne GND.



Avertissement

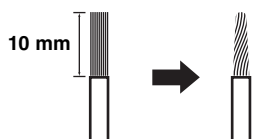
- L'amplificateur de puissance de l'A-S3000 étant à symétrie flottante, il n'est pas possible d'effectuer les types de raccords suivants.
 - Raccordement à la borne « - » de la voie gauche et à la borne « - » de la voie droite de même qu'aux bornes « + » (Fig. 1).
 - Raccordement en inversant la borne « - » de la voie gauche et la borne « - » de la voie droite (raccordement croisé Fig. 2).
 - Raccordement délibéré aux bornes « - » des voies gauche/droite et à une partie métallique à l'arrière de cet appareil, ou simple toucher accidentel.
- Ne raccordez pas votre caisson de graves amplifié à la borne SPEAKERS L/R CH. Raccordez-le aux prises PRE OUT de cet appareil.
- Ne raccordez pas un composant sans commande de volume, par exemple un lecteur de CD, aux prises MAIN IN, car le niveau sonore de l'entrée des signaux aux prises MAIN IN est fixe. Si un tel appareil est relié, un son peut éclater, et l'appareil et/ou l'enceinte peut être endommagée.



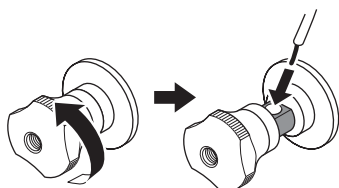
Raccordements

■ Raccordement des enceintes

- 1 Enlevez environ 10 mm de la gaine isolante à l'extrémité de chaque câble d'enceinte et torsadez les fils exposés du câble pour éviter les courts-circuits.



- 2 Dévissez la borne, puis insérez la partie sans gaine du fil dans l'orifice.



Orifice pour câble d'enceinte : 6,0 mm de diamètre.

- 3 Revissez la borne.

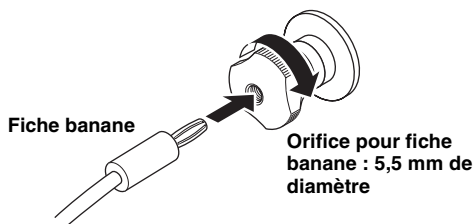


Avertissement

- Pour desserrer le bouton de la borne d'enceinte, ne le faites pas tourner excessivement. Le bouton risque de se détacher et d'être ingéré par un enfant.
- Le contact entre la borne de haut-parleur et une étagère métallique peut provoquer un court-circuit et endommager cet appareil. Pour installer l'appareil sur une étagère, maintenez une distance suffisante pour éviter que les bornes d'enceinte ne touchent l'étagère.
- Pour réduire le risque de choc électrique, ne touchez pas la borne d'enceinte lorsque l'appareil est sous tension.

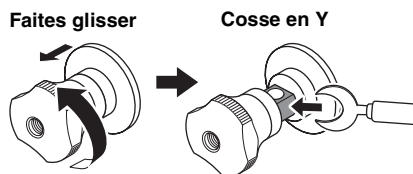
■ Raccordement d'une fiche banane (Sauf modèle pour l'Europe)

Serrez d'abord le bouton et insérez la fiche banane dans la prise correspondante.



■ Raccordement d'une cosse en Y

- 1 Dévissez la borne et insérez la cosse en Y entre l'anneau et la base.



Vis de borne pour fiche en Y : 5,0 mm de diamètre.

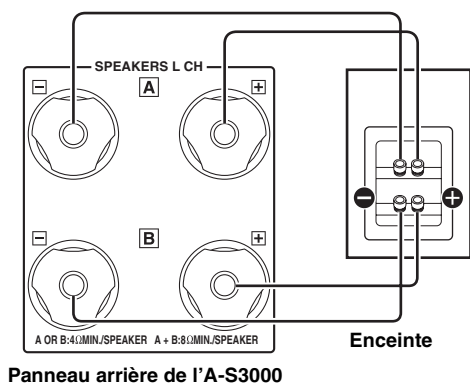
- 2 Revissez la borne.



■ Connexion bifilaire

La connexion bifilaire a pour effet de séparer le grave du médium et de l'aigu. Une enceinte compatible avec ce type de connexion est pourvue de quatre bornes de connexion. Ces deux jeux de bornes permettent de diviser l'enceinte en deux sections indépendantes. Les circuits d'attaque du médium et de l'aigu sont reliés à un jeu de bornes et le circuit d'attaque du grave est relié à l'autre jeu.

Exemple de connexion bifilaire (voie L)



Panneau arrière de l'A-S3000

Avertissement

Si vous utilisez des connexions bifilaires, l'impédance de chaque enceinte doit être au moins égale à 8 Ω.

Remarque

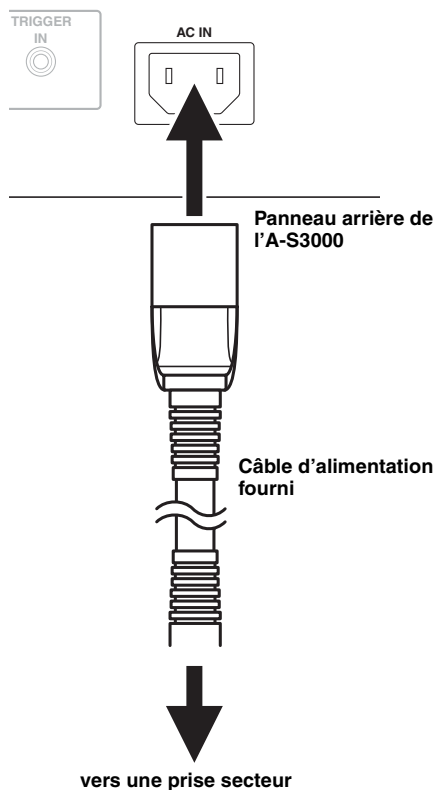
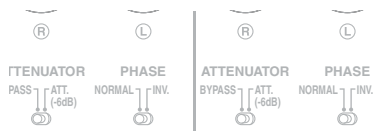
Détachez les barres de court-circuitage pour séparer les filtres LPF (filtre passe bas) et HPF (filtre passe haut).



Pour utiliser les connexions bifilaires, mettez le sélecteur SPEAKERS sur la position A+B BI-WIRING.

■ Raccordement du câble d'alimentation

Branchez le câble d'alimentation secteur sur la prise AC IN lorsque tous les appareils ont été raccordés, puis branchez-le sur la prise secteur.



Raccordements

■ Raccordement aux prises BAL 1/BAL 2

Raccordez votre lecteur de CD ou votre lecteur réseau aux prises de sortie symétriques XLR.

Réglez le sélecteur ATTENUATOR et le sélecteur PHASE se trouvant sous les prises BAL 1 ou BAL 2 en fonction du composant à raccorder.

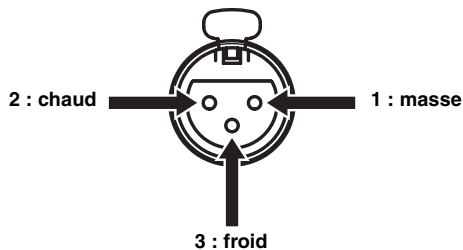
Sélecteur ATTENUATOR :

Sélectionnez le niveau d'entrée admissible pour les prises d'entrée symétriques XLR. Si le son du composant relié est déformé, réglez le sélecteur ATTENUATOR sur ATT. (-6 dB).

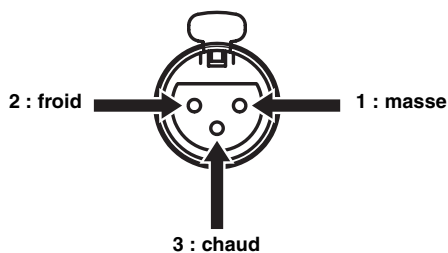
Sélecteur PHASE :

Sélectionnez l'attribution de la broche CHAUD des prises d'entrée symétriques XLR (broche 2 CHAUD ou broche 3 CHAUD).

NORMAL (broche 2 CHAUD)



INV. (broche 3 CHAUD)



Reportez-vous au mode d'emploi fourni avec l'appareil relié et vérifiez l'affectation de la broche CHAUD de ses prises de sortie symétriques XLR.

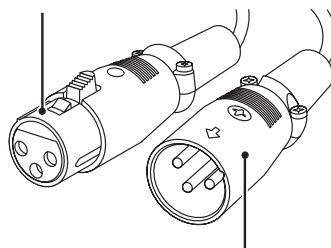


Les lecteurs de CD Yamaha sont réglés sur NORMAL (broche 2 CHAUD).

Connecteurs XLR :

Pour le raccordement, faites correspondre les broches et insérez le connecteur du câble symétrique XLR « mâle » jusqu'à ce que vous entendiez un « clic ». Pour le débranchement, retirez le câble symétrique XLR « mâle » tout en baissant le levier de la prise BAL 1 ou BAL 2.

Connecteur XLR « femelle »



Levier



Prise BAL 1/BAL 2

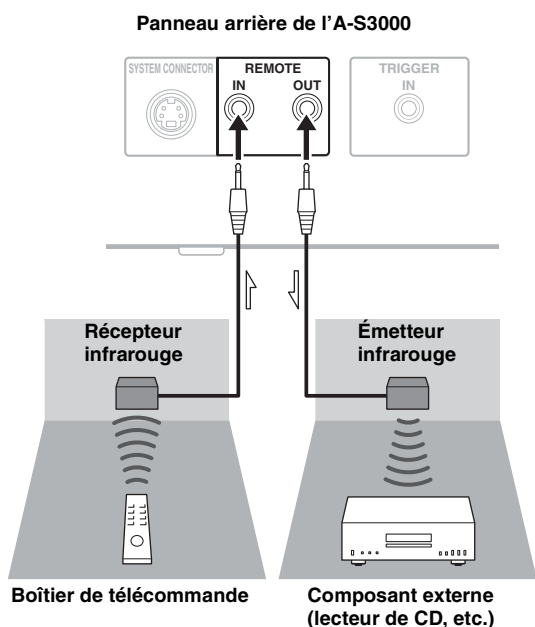
Connecteur XLR « mâle »

Remarque

Pour utiliser la connexion symétrique XLR, vous devez sélectionner BAL 1 ou BAL 2 comme source d'entrée.

■ Fonctionnement de cet appareil dans une autre pièce

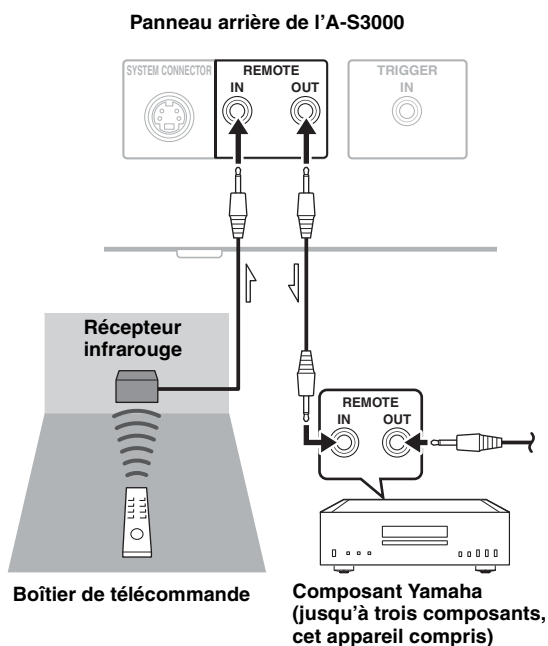
Si vous branchez un récepteur et un émetteur infrarouge aux prises REMOTE IN/OUT de cet appareil, vous pouvez utiliser l'appareil et/ou le composant externe à l'aide du boîtier de télécommande fourni situé dans une autre pièce.



■ Connexion à distance entre les composants Yamaha

Lorsque vous avez un autre composant Yamaha prenant en charge la connexion à distance, comme c'est le cas pour cet appareil, un émetteur infrarouge est inutile. Vous pouvez transmettre des signaux à distance en raccordant un récepteur infrarouge et la prise REMOTE IN de l'autre composant aux prises REMOTE IN/OUT de cet appareil, avec des câbles à mini-fiches mono.

Il est possible de raccorder jusqu'à trois composants Yamaha (cet appareil compris).

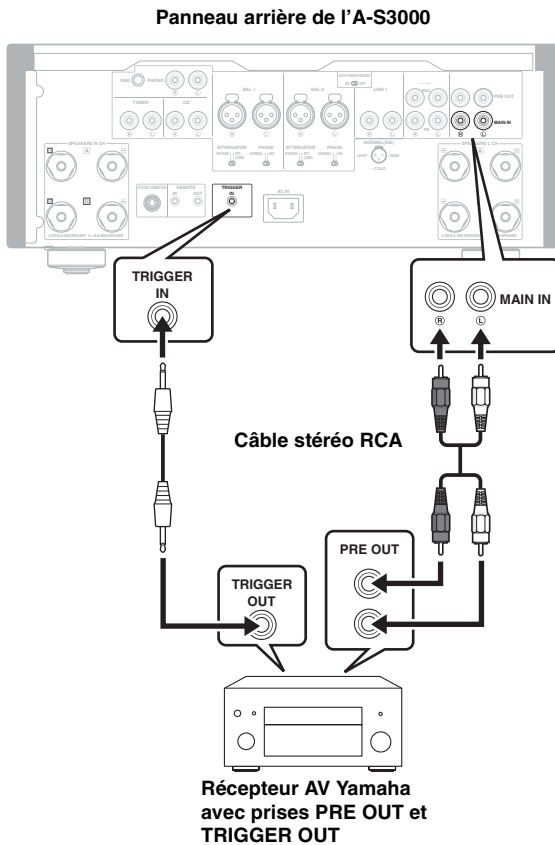


Raccordements

■ Raccordement d'un composant prenant en charge la fonction de déclenchement tel que le récepteur AV Yamaha

Les opérations de cet appareil peuvent être commandées en synchronisation avec les opérations du composant raccordé, comme un récepteur AV Yamaha (alimentation sur ON/STANDBY ou sélection de l'entrée MAIN DIRECT).

Branchez les prises PRE OUT et la prise TRIGGER OUT du récepteur AV Yamaha à cet appareil comme illustré ci-dessous :



Remarque

Pour activer la synchronisation, mettez cet appareil hors tension avant de brancher le composant aux prises MAIN IN. Il est impossible d'activer la synchronisation lorsque le commutateur STANDBY/ON/OFF de l'appareil a été réglé sur OFF.

Lorsque l'appareil raccordé est mis sous tension, il se met en marche et l'entrée est automatiquement réglée sur MAIN DIRECT.

Lorsque MAIN DIRECT est sélectionné comme source d'entrée, l'appareil entre en mode STANDBY si l'alimentation du composant raccordé est coupée.



A-S3000 Caractéristiques techniques

Dans cette section, vous trouverez les caractéristiques techniques de l'A-S3000.

Caractéristiques techniques

SECTION D'ALIMENTATION

- Puissance de sortie nominale
 - (8 Ω, 20 Hz à 20 kHz, DHT 0,07 %) 100 W + 100 W
 - (4 Ω, 20 Hz à 20 kHz, DHT 0,07 %) 150 W + 150 W
- Puissance dynamique (IHF)
 - (8 Ω) 120 W + 120 W
 - (6 Ω) 150 W + 150 W
 - (4 Ω) 200 W + 200 W
 - (2 Ω) 300 W + 300 W
- Entrefer dynamique
 - (8 Ω) 0,79 dB
- Puissance de sortie maximale
 - [Modèles pour le Royaume-Uni et l'Europe seulement]
 - (1 kHz, DHT 0,7 %, 4 Ω) 170 W + 170 W
- Puissance de sortie effective maximale (JEITA)
 - [Modèles pour Taïwan, la Chine, la Corée, l'Asie et le Royaume-Uni uniquement]
 - (1 kHz, DHT 10%, 8 Ω) 130 W + 130 W
 - (1 kHz, DHT 10%, 4 Ω) 210 W + 210 W
- Puissance de sortie selon CEI [Modèles pour le Royaume-Uni et l'Europe seulement]
 - (1 kHz, DHT 0,02 %, 8 Ω) 105 W + 105 W
- Bande passante
 - (MAIN L/R, 0,1 % DHT, 45 W, 8 Ω) 10 Hz à 60 kHz
- Coefficient d'amortissement
 - (1 kHz, 8 Ω) 250 ou plus
- Signal d'entrée maximal
 - PHONO MM (1 kHz, 0,003 % DHT) 50 mVrms
 - PHONO MC (1 kHz, 0,003 % DHT) 2,3 mVrms
 - CD, etc. (1 kHz, 0,5 % DHT) 2,80 Vrms
 - BAL 1/BAL 2 (1 kHz, 0,5 % DHT)
 - (BYPASS) 2,80 Vrms
 - (ATT. -6 dB) 5,60 Vrms
 - Tension de sortie nominale/Impédance de sortie
 - REC OUT 200 mVrms/1,5 kΩ
 - PRE OUT 1,0 Vrms/1,5 kΩ
- Réponse en fréquence
 - CD, etc. (5 Hz à 100 kHz) +0/-3 dB
 - CD, etc. (20 Hz à 20 kHz) +0/-0,3 dB
- Écart d'égalisation RIAA
 - PHONO MM ±0,5 dB
 - PHONO MC ±0,5 dB
- Distorsion harmonique totale
 - PHONO MM à REC OUT
 - (20 Hz à 20 kHz, 1,2 Vrms) 0,005 %
 - PHONO MC à LINE 2 REC
 - (20 Hz à 20 kHz, 1,2 Vrms) 0,02 %
 - BAL 1/BAL 2 à SPEAKERS
 - (20 Hz à 20 kHz, 50 W/8 Ω) 0,025 %
 - CD, etc. à SPEAKERS
 - (20 Hz à 20 kHz, 50 W/8 Ω) 0,025 %

- Rapport signal/bruit (Réseau IHF-A)
 - PHONO MM (5 mVrms, entrée court-circuitée) 93 dB
 - PHONO MC (500 μVrms, entrée court-circuitée) 85 dB
 - CD, etc. (200 mVrms, entrée court-circuitée) 103 dB
- Bruit résiduel (réseau IHF-A) 33 μVrms

SECTION DE COMMANDE

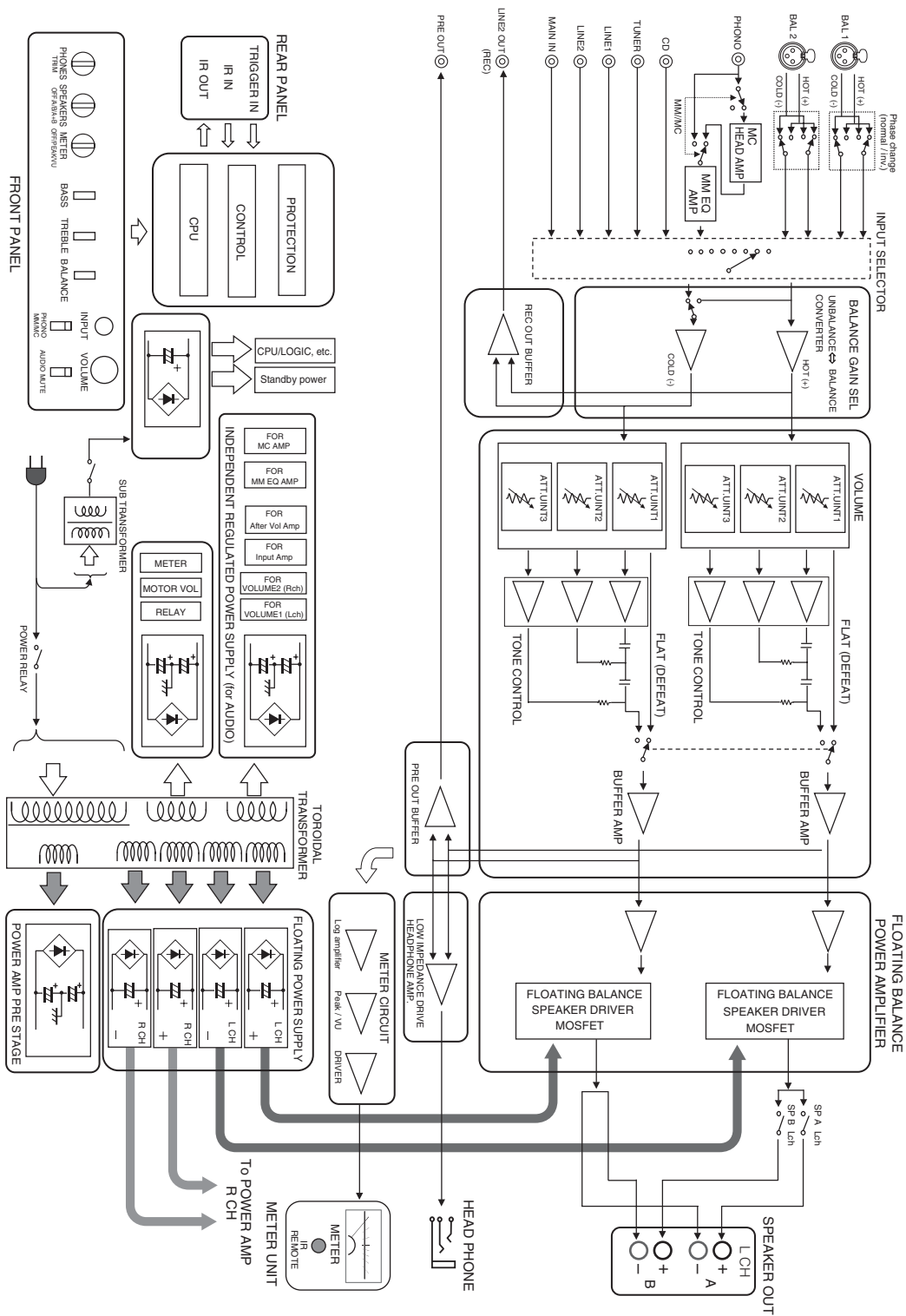
- Sensibilité et impédance d'entrée
 - CD, etc. 200 mVrms/47 kΩ
 - PHONO MM 2,5 mVrms/47 kΩ
 - PHONO MC 100 μVrms/50 Ω
 - MAIN IN 1 Vrms/47 kΩ
 - BAL 1/BAL 2 200 mVrms/100 kΩ
- Puissance de sortie nominale de la prise casque
 - CD, etc. (1 kHz, 32 Ω, 0,2 % DHT) 70 mW + 70 mW
- Séparation de canaux
 - CD, etc. (Entrée, surcharge de 5,1 kΩ, 1 kHz/10 kHz)
 - 74/54 dB ou plus
 - PHONO MM
 - (entrée court-circuitée, 1 kHz/10 kHz, vol. :-30 dB)
 - 90/77 dB ou plus
 - PHONO MC
 - (entrée court-circuitée, 1 kHz/10 kHz, vol. :-30 dB)
 - 66/77 dB ou plus
- Caractéristiques du contrôle du son
 - BASS
 - Renforcement/Coupure (50 Hz) ±9 dB
 - Fréquence de transition 350 Hz
 - TREBLE
 - Renforcement/Coupure (20 kHz) ±9 dB
 - Fréquence de transition 3,5 kHz

GÉNÉRALITÉS

- Alimentation
 - [Modèles pour les États-Unis et le Canada] 120 V CA, 60 Hz
 - [Modèle pour Taïwan] 110 V CA, 60 Hz
 - [Modèle pour la Chine] 220 V CA, 50 Hz
 - [Modèle pour la Corée] 220 V CA, 60 Hz
 - [Modèle pour l'Australie] 240 V CA, 50 Hz
 - [Modèles pour le Royaume-Uni et l'Europe] 230 V CA, 50 Hz
 - [Modèle pour l'Asie] 220 - 240 V CA, 50/60 Hz
- Puissance absorbée
 - [Modèles pour les États-Unis et le Canada] 500 VA
 - [Autres modèles] 350 W
- Consommation en veille 0,3 W
- Dimensions (L × H × P) 435 × 180 × 464 mm
- Poids 24,6 kg

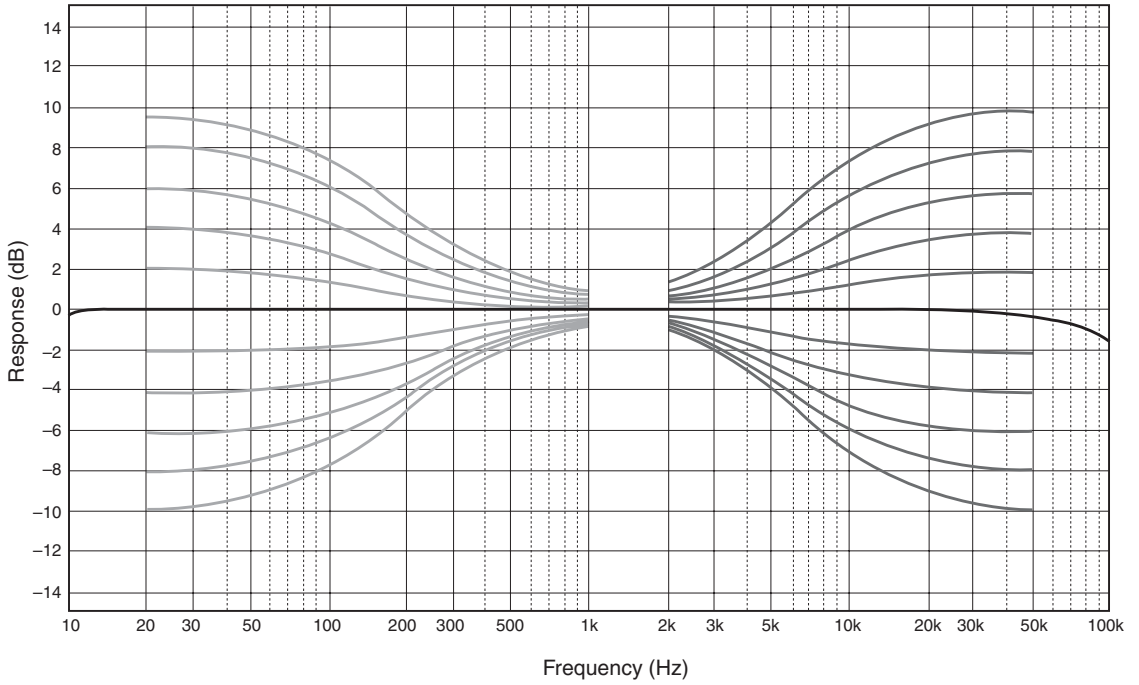
* Les caractéristiques techniques peuvent être modifiées sans avis préalable.

■ Schéma fonctionnel

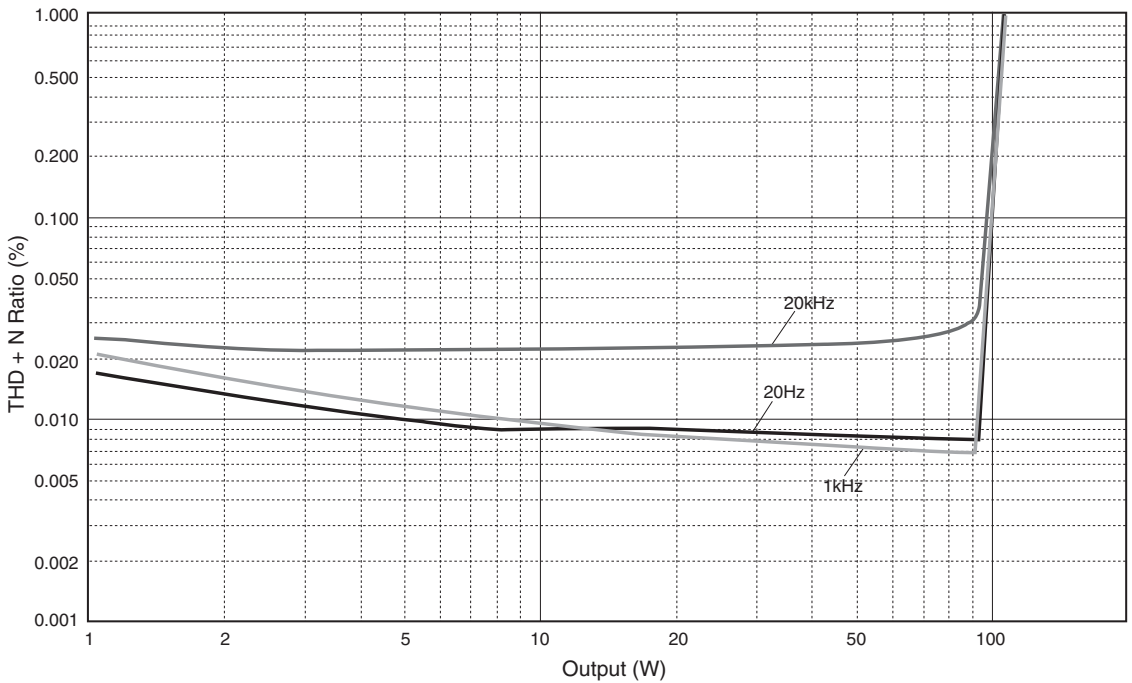


Caractéristiques techniques

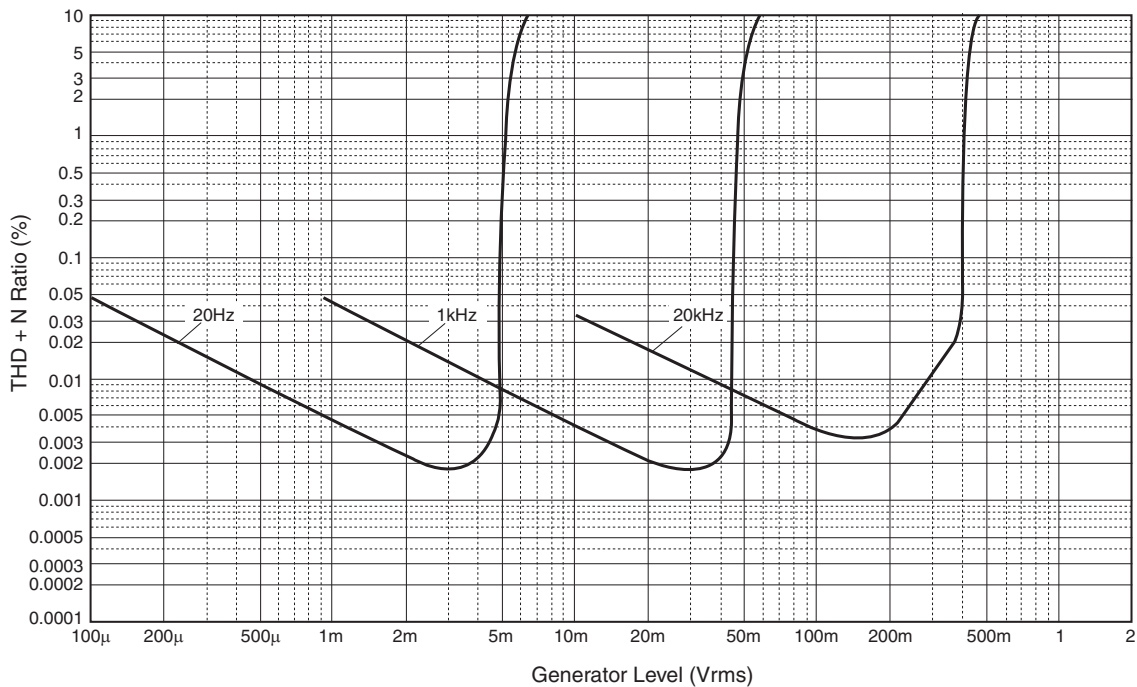
■ Caractéristiques du contrôle du son



■ Distorsion harmonique totale



■ Distorsion harmonique totale (PHONO)



Guide de dépannage

Reportez-vous au tableau suivant si l'appareil ne fonctionne pas comme il devrait. Si l'anomalie constatée n'est pas mentionnée, ou encore si les actions correctives suggérées sont sans effet, mettez l'appareil hors tension, débranchez le câble d'alimentation et prenez contact avec le revendeur ou le service après-vente agréé Yamaha le plus proche.

| Anomalies | Causes possibles | Actions correctives | Voir page |
|--|--|--|-----------|
| L'appareil ne se met pas sous tension. | Le câble d'alimentation n'est pas raccordé à la prise AC IN du panneau arrière de l'appareil ou à une prise secteur. | Branchez soigneusement le câble d'alimentation. | 19 |
| | Le circuit de protection a été actionné du fait de la présence d'un court-circuit, etc. | Assurez-vous que les câbles d'enceintes ne sont pas en contact entre eux ou sont en court-circuit avec le panneau arrière de cet appareil, et remettez cet appareil sous tension. | 18 |
| | L'appareil a été soumis à une secousse électrique puissante (provoquée par exemple par un orage ou une décharge d'électricité statique). | Mettez l'appareil hors tension, débranchez le câble d'alimentation, puis rebranchez-le environ 30 secondes plus tard et utilisez l'appareil comme à l'accoutumée. | — |
| Le témoin STANDBY/ON du panneau avant clignote. | Le circuit de protection a été actionné du fait de la présence d'un court-circuit, etc. | Assurez-vous que les câbles d'enceintes ne sont pas en contact entre eux ou sont en court-circuit avec le panneau arrière de cet appareil, et remettez cet appareil sous tension. | 18 |
| | Il y a un problème au niveau des circuits internes de cet appareil. | Débranchez le câble d'alimentation et prenez contact avec le revendeur ou le service après-vente agréé Yamaha le plus proche. | — |
| Le témoin INPUT du panneau avant clignote et le volume est réduit lors de la mise sous tension de cet appareil. | Le circuit de protection a été actionné du fait de la présence d'un court-circuit, etc. | Assurez-vous que les câbles d'enceintes ne sont pas en contact entre eux ou sont en court-circuit avec le panneau arrière de cet appareil, et remettez cet appareil sous tension. | 18 |
| Pas de son. | Les raccordements des câbles d'entrée ou de sortie ne sont pas corrects. | Branchez correctement les câbles. Si le problème persiste, les câbles sont sans doute défectueux. | 16 |
| | Aucune source d'entrée convenable n'a été sélectionnée. | Sélectionnez la source d'entrée souhaitée avec le sélecteur INPUT du panneau avant (ou avec l'une des touches de sélection d'entrée du boîtier de télécommande). | 8, 12 |
| | Le sélecteur SPEAKERS est réglé sur OFF. | Réglez le sélecteur SPEAKERS sur la position appropriée. | 7 |
| | Les raccordements des enceintes sont défectueux. | Corrigez les raccordements. | 18 |
| Les sons disparaissent brusquement. | Le circuit de protection a été actionné du fait de la présence d'un court-circuit, etc. | Assurez-vous que les câbles d'enceintes ne sont pas en contact entre eux ou sont en court-circuit avec le panneau arrière de cet appareil, et remettez cet appareil sous tension. | 18 |
| Le niveau sonore ne peut pas être réglé. | MAIN DIRECT est sélectionné comme source d'entrée. | Réglez le volume sur le composant raccordé. Vous pouvez également raccorder le composant externe aux prises d'entrée autres que MAIN IN et sélectionner la source d'entrée correspondante. | 8, 9 |
| Seule l'enceinte de gauche ou de droite émet des sons. | Les raccordements des câbles sont incorrects. | Branchez correctement les câbles. Si le problème persiste, les câbles sont sans doute défectueux. | 16 |
| | Mauvais réglage de la commande BALANCE. | Réglez la commande BALANCE sur la position appropriée. | 7 |
| Basses insuffisantes et absence d'ambiance. | Les fils + et – sont inversés sur l'amplificateur ou les enceintes. | Raccordez les fils d'enceintes en respectant la phase + et –. | 16 |
| Un « ronflement » est audible. | Les raccordements des câbles sont incorrects. | Branchez à fond les fiches du câble audio. Si le problème persiste, les câbles sont sans doute défectueux. | 16 |
| | Pas de raccordement du tourne-disque à la borne GND. | Branchez le tourne-disque à la borne GND de cet appareil. | 16 |

| Anomalies | Causes possibles | Actions correctives | Voir page |
|---|--|---|-----------|
| Le son du composant branché aux prises BAL 1/BAL 2 est de moins bonne qualité. | Le niveau sonore est plus élevé que le niveau d'entrée maximal des prises d'entrée symétriques XLR. | Si le niveau de sortie du composant raccordé est double, réglez le sélecteur ATTENUATOR situé au-dessous des prises d'entrée à ATT. (-6 dB). | 20 |
| Les basses ne sont pas spatiales lorsque BAL 1/BAL 2 (entrée symétrique) est sélectionné. | La polarité est incorrecte. | Sélectionnez la polarité correcte avec le sélecteur PHASE. | 20 |
| Le son est de moins bonne qualité lorsque vous écoutez avec un casque raccordé au lecteur de CD raccordé à cet appareil. | L'appareil est hors service. | Mettez l'appareil sous tension. | — |
| Le niveau sonore est trop faible pendant l'écoute d'un microsillon. | Mauvais réglage du commutateur PHONO sur le panneau avant. | Mettez le commutateur PHONO sur la position MM ou MC selon le type de cartouche magnétique du tourne-disque. | 9 |
| Le boîtier de télécommande ne fonctionne pas ou n'agit pas convenablement. | La portée et l'angle sont incorrects. | Le boîtier de télécommande agit à une distance inférieure à 6 m et sous un angle inférieur à 30 degrés par rapport à une perpendiculaire à la face avant. | 8 |
| | Le lumière directe du soleil ou d'un éclairage (lampe fluorescente à convertisseur, etc.) frappe le capteur de télécommande de cet appareil. | Changez l'emplacement de l'appareil. | — |
| | Les piles sont usagées. | Remplacez les piles. | 14 |

Entretien de cet appareil

Finition brillante sur les panneaux latéraux

L'utilisation du chiffon Yamaha Unicon (disponible en option) est recommandée. Pour enlever les taches rebelles, utilisez le Yamaha Piano Unicon (disponible en option). Pour l'achat, contactez le revendeur ou le service après-vente agréé Yamaha le plus proche.

Autre finition

Pour essuyer cet appareil, n'utilisez pas de solvants chimiques (alcool, diluant, etc.) qui risqueraient d'endommager la finition. Utilisez un chiffon propre et sec. Pour enlever les taches rebelles, trempez un chiffon doux dans un mélange de détergent et d'eau et extrayez bien toute l'eau du chiffon avant de nettoyer l'appareil.

