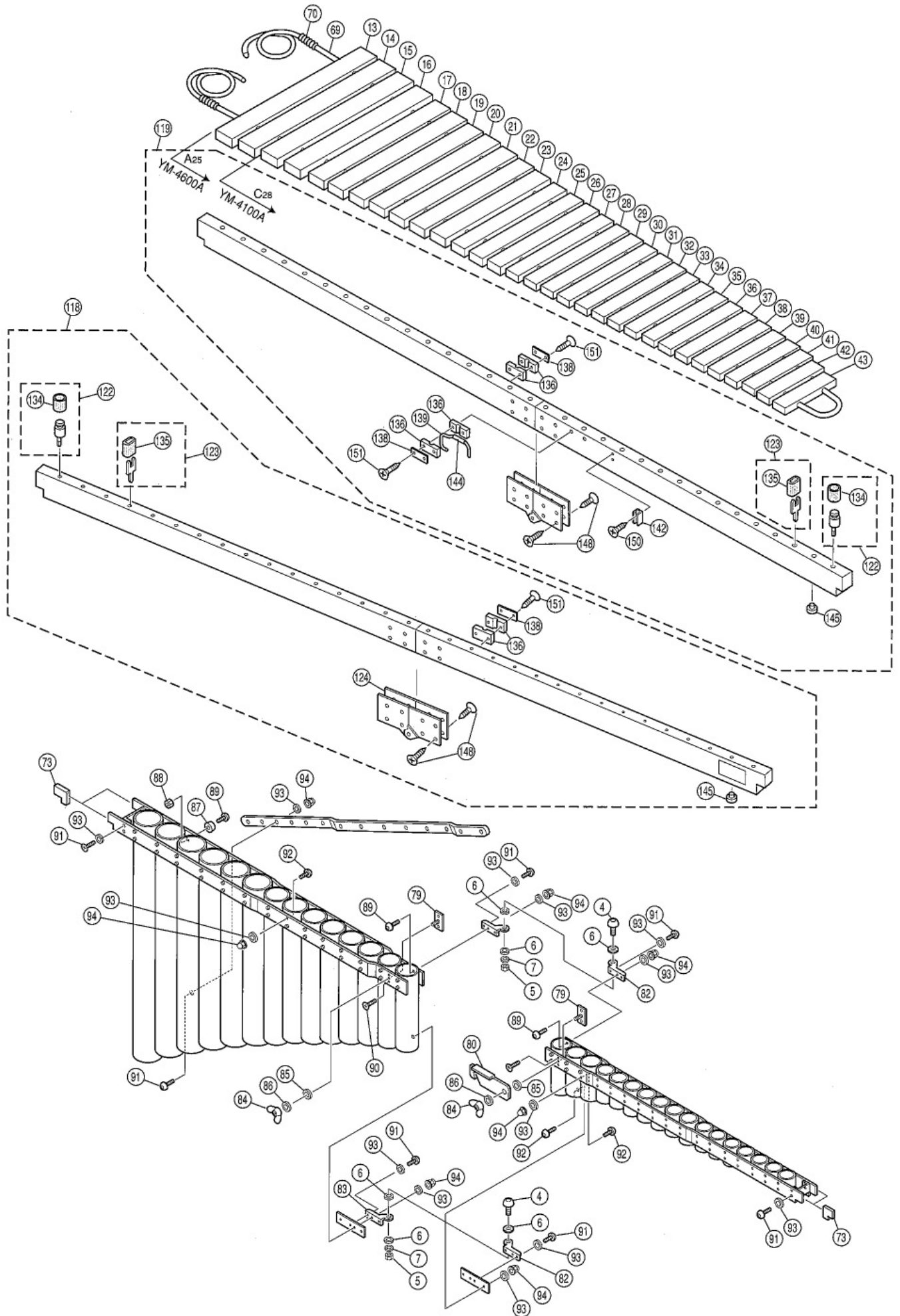
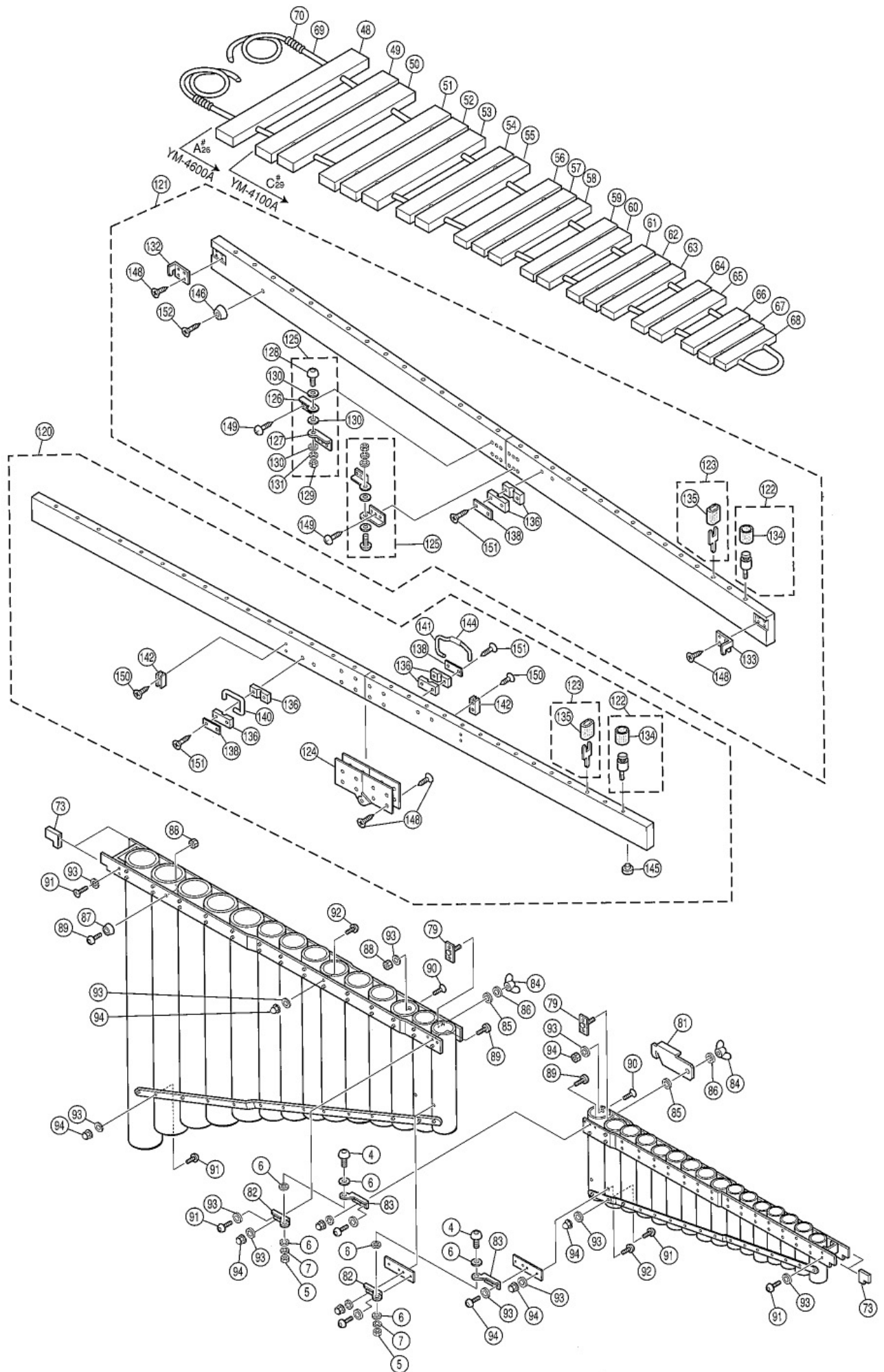


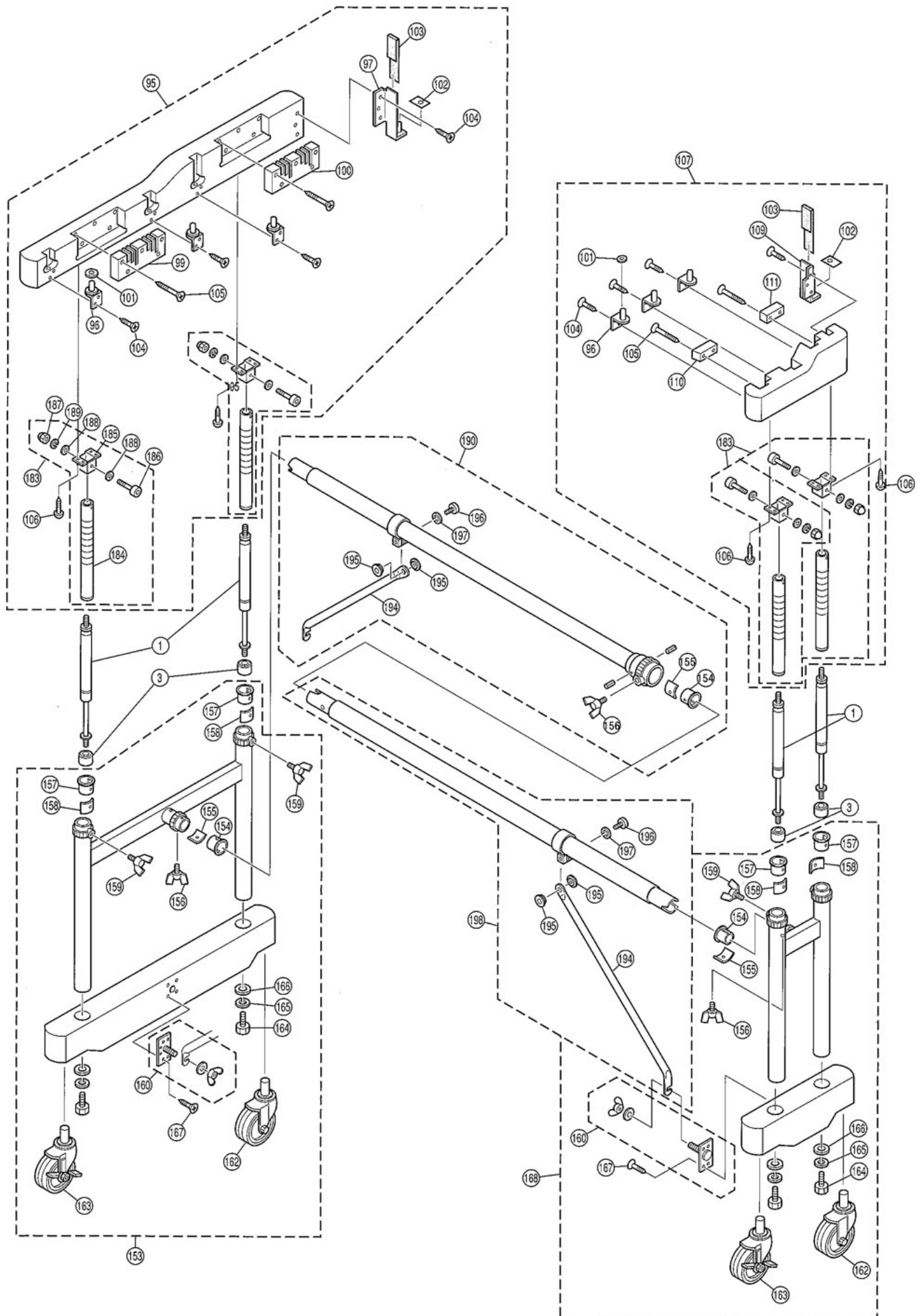
Model Name : YM-4600A



Model Name : YM-4600A



Model Name : YM-4600A



Model Name : YM-4600A

Ref No.	Parts No.(ChangeNo.)	English Name	Minimum Delivery	Accept order or not
1	W2389750	GAS SPRING 10K YM5100A	1 PC	
100	WV438670	RESONATOR ADJUSTER (LOW TONE REAR)YM4600	1 PC	
101	WV438720	PACKING(6PCS/1PACK) YM5100A	1 PC	
102	WV438730	RAIL CUSSION YM5100A	1 PC	
103	WV438740	RAIL NOISE STOPPER YM5100A	1 PC	
104	EP335256	FLAT HEAD WOOD SCREW 3.5X25	1 PACK(6PC/PACK)	
105	WV435730	FLAT HEAD WOOD SCREW 4.5X40	1 PC	
106	EQ345320	ROUND HEAD WOODEN SCREW 4.5X32 ZMC2-BL	0 PC.	ORDER STOP
107	WV438760	FRAME END ASSY (HIGH TONE END)YM4900A	1 PC	
109	WV438620	RAIL JOINT HOLDER 4R YM5100A	1 PC	
110	WV438690	RESONATOR ADJUSTER (HIGH TONE FRONT)YM51	1 PC	
111	V4387000	RESONATOR ADJUSTER (HIGH TONE REAR)YM510	1 PC.	
118	WV438050	RAIL NO.1 ASSY YM4600A	1 PC	
119	WV438090	RAIL NO.2 ASSY YM4600A	1 PC	
120	WV438130	RAIL NO.3 ASSY YM4600A	1 PC	
121	WV438170	RAIL NO.4 ASSY YM4600A	1 PC	
122	WV430540	TONE BAR S.POSTF55ASSY WITH FELT INS.YM4	1 PC	
123	WV430560	TONE BAR S.POSTH56ASSY WITH FELT INS.YM4	1 PC	
124	WV430570	RAIL HINGE ASSY YM5100A	1 PC	
125	V4306000	RAIL HINGE ASSY YM5100A	1 PC.	
126	WV434540	RAIL HINGE L YM5100A	1 PC	
127	WV434550	RAIL HINGE R YM5100A	1 PC	
128	WV435920	BUTTON HEAD BOLT 8X16 YM5100A	1 PC	
129	WV435860	HEXAGONAL NUT YM5100A	1 PC	
13	WV586970	TONE BAR 25A YM5100A	1 PC	
130	WV435840	SPLIT WASHER YM5100A	1 PC	
131	WV435630	SPRING WASHER YM5100A	1 PC	
132	WV430610	RAIL JOINT HOLDER 4L YM5100A	1 PC	
133	WV430620	RAIL JOINT HOLDER 4R YM5100A	1 PC	
134	V4370000	FELT T2 25X40 (10PCS/1PACK)YM5100A	1 Pack/10pcs	
135	WV558920	FELT T2 25X42 (10PCS/1PACK)YM5100A	1 PACK	
136	WV430630	RAIL CRAMP RUBBER YM5100A	1 PC	
138	WV430640	RAIL CRAMP SUPORT RUBBER YM5100A	1 PC	
139	WV430670	RAIL CRAMP (FRONT) YM4600A	1 PC	
14	WV586980	TONE BAR 27K B YM5100A	1 PC	
140	WV430680	RAIL CRAMP (MIDDLE) YM5100A	1 PC	
141	WV430710	RAIL CRAMP (REAR) YM4600A	1 PC	
142	WV430720	RAIL CRAMP HOLDER YM5100A	1 PC	
144	WV438510	NOISE STOPPER INSULATOR YM4900A	1 PC	
145	V4385000	RUBBER SCREW(SMALL) YM5100A	1 PC.	

Model Name : YM-4600A

Ref No.	Parts No.(ChangeNo.)	English Name	Minimum Delivery	Accept order or not
146	WV438520	BASE RUBBER YM5100A	1 PC	
148	EP335206	FLAT HEAD WOOD SCREW 3.5X20	1 BAG	ORDER STOP
149	EQ341206	ROUND HEAD WOOD SCREW 4.1X20	1 PACK(6PC/PACK)	
15	WV586990	TONE BAR 28K C YM5100A	1 PC	
150	WV435680	FLAT HEAD WOOD SCREW 2.4X13(6)	1 PC	
151	EP331326	FLAT HEAD WOOD SCREW(ST) 3.5X32	1 PACK(6PC/PACK)	
152	EP335256	FLAT HEAD WOOD SCREW 3.5X25	1 PACK(6PC/PACK)	
153	WV436940	LEG ASSY(LOW TONE END) YM5100A	1 PC	
154	V4308000	NYLON BUSHING YM5100A	1 PC,	
155	WV430810	METAL PRESSURE INSERT(2) YM5100A	1 PC	
156	WV430820	YAMAHA BOLT(2)N YM5100A	1 PC	
157	WV430850	NYLON BUSHING YM5100A	1 PC	
158	WV430860	METAL PRESSURE INSERT(1) YM5100A	1 PC	
159	WV430870	YAMAHA BOLT N1 YM5100A	1 PC	
16	V5870000	TONE BAR 30D YM5100A	1 PC.	
160	WV430890	LEG STAY HOLDER ASSY YM5100A	1 PC	
161	WV435570	FRAT SPURING WASHER YM5100A	1 PC	
162	WV434660	CASTER YM5100A	1 PC	
163	WV434670	CASTER(WITH BRAKE) YM5100A	1 PC	
164	WV435880	ALLEN HEAD BOLT YM5100A	1 PC	
165	WV435620	SPRING WASHER YM5100A=WV435630	1 PC	
166	WV435810	SPLIT WASHER YM5100A	1 PC	
167	EP345326	FLAT HEAD WOOD SCREW 4.5X32	1 BAG	
168	WV430730	LEG ASSY(HIGH TONE END)YM5100A	1 PC	
17	WV587010	TONE BAR 32E YM5100A	1 PC	
18	WV587020	TONE BAR 33F YM5100A	1 PC	
183	WV430930	SLIDE GUIDE ASSY YM5100A	1 PC	
184	WV430940	SLIDE GUIDE YM5100A	1 PC	
185	WV430950	LEG HOLDER YM4600A, YM5100A	1 PC	
186	WV435930	ALLEN HEAD BOLT5X35 YM5100A	1 PC	
187	V4358000	CAP NUT YM5100A	1 Pack/6pcs	
188	WV435820	SPLIT WASHER YM5100A	1 PC	
189	V4356000	SPRING WASHER YM5100A	1 Pack/6pcs.	
19	WV587030	TONE BAR 35G YM5100A	1 PC	
190	WV430990	LEG PIPE(LOW TONE END)ASSY YM4600A	1 PC	
191	WV430800	NYLON BUSHING YM5100A	1 PC	
192	WV430810	METAL PRESSURE INSERT(2) YM5100A	1 PC	
193	WV430820	YAMAHA BOLT(2)N YM5100A	1 PC	
194	WV436980	SLANT SUPPORT YM5100A	1 PC	
195	WV436990	SLANT SUPPORT BUSHING YM5100A	1 PC.	

Model Name : YM-4600A

Ref No.	Parts No.(ChangeNo.)	English Name	Minimum Delivery	Accept order or not
196	WV435330	PAN HEAD SCREW YM5100A	1 PC	
197	WV435610	SPRING WASHER YM5100A	1 PC	
198	WV431070	LEG PIPE(HIGH TONE END)ASSY YM4600A	1 PC	
20	WV587040	TONE BAR 37A YM5100A	1 PC	
21	WV587050	TONE BAR 39B YM5100A	1 PC	
22	WV587060	TONE BAR 40C YM5100A	1 PC	
23	WV587070	TONE BAR 42D YM5100A	1 PC	
24	WV587080	TONE BAR 44E YM5100A	1 PC	
25	WV587090	TONE BAR 45F YM5100A	1 PC	
26	V5871000	TONE BAR 47G YM5100A	1 PC.	
27	WV587110	TONE BAR 49A YM5100A	1 PC	
28	WV587120	TONE BAR 51B YM5100A	1 PC	
29	WV587130	TONE BAR 52C YM5100A	1 PC	
3	WV430960	GAS SPRING HOLDER YM5100A	1 PC	
30	WV587140	TONE BAR 54D YM5100A	1 PC	
31	WV587150	TONE BAR 56E YM5100A	1 PC	
32	WV587160	TONE BAR 57F YM5100A	1 PC	
33	WV587170	TONE BAR 59G YM5100A	1 PC	
34	WV587180	TONE BAR 61A YM5100A	1 PC	
35	WV587190	TONE BAR 63B YM5100A	1 PC	
36	V5872000	TONE BAR 64C YM5100A	1 PC.	
37	WV587210	TONE BAR 66D YM5100A	1 PC	
38	WV587220	TONE BAR 68E YM5100A	1 PC	
39	WV587230	TONE BAR 69F YM5100A	1 PC	
4	WV435920	BUTTON HEAD BOLT 8X16 YM5100A	1 PC	
40	WV587240	TONE BAR 71G YM5100A	1 PC	
41	WV587260	TONE BAR 73A YM5100A	1 PC	
42	WV587270	TONE BAR 75B YM5100A	1 PC	
43	WV587280	TONE BAR 76C YM5100A	1 PC	
48	WV587390	TONE BAR A#26K YM5100A	1 PC	
49	V5874000	TONE BAR C#29K YM5100A	1 PC.	
5	WV435860	HEXAGONAL NUT YM5100A	1 PC	
50	WV587410	TONE BAR D#31K YM5100A	1 PC	
51	WV587420	TONE BAR F#34K YM5100A	1 PC	
52	WV587440	TONE BAR G#36K YM5100A	1 PC	
53	WV587450	TONE BAR A#38K YM5100A	1 PC	
54	WV587460	TONE BAR C#41K YM5100A	1 PC	
55	WV587470	TONE BAR D#43K YM5100A	1 PC	
56	WV587480	TONE BAR F#46K YM5100A	1 PC	
57	WV587490	TONE BAR G#48K YM5100A	1 PC	

Model Name : YM-4600A

Ref No.	Parts No.(ChangeNo.)	English Name	Minimum Delivery	Accept order or not
58	V5875000	TONE BAR A#50K YM5100A	1 PC.	
59	WV587510	TONE BAR C#53K YM5100A	1 PC	
6	WV435840	SPLIT WASHER YM5100A	1 PC	
60	WV587520	TONE BAR D#55K YM5100A	1 PC	
61	WV587530	TONE BAR F#58K YM5100A	1 PC	
62	WV587550	TONE BAR G#60K YM5100A	1 PC	
63	WV587560	TONE BAR A#62K YM5100A	1 PC	
64	WV587570	TONE BAR C#65K YM5100A	1 PC	
65	WV587590	TONE BAR D#67K Y51000A	1 PC	
66	V5876000	TONE BAR F#70K YM5100A	1 PC.	
67	WV587610	TONE BAR G#72K YM5100A	1 PC	
68	WV587620	TONE BAR A#74K YM5100A	1 PC	
69	WV430470	TONE BAR SUS.CORD(BRAIDED VINYLON)YM5100	1 PC.	Discontinued.
7	WV435630	SPRING WASHER YM5100A	1 PC	
70	WV435190	CORD TENSION SPRING(L)YM5100A	1 PC.	
73	WV430520	SUSPENSION PROTECTOR YM5100A	1 PC	
79	V4344000	CONNECTING BOLT YM5100A	1 PC.	
80	WV434440	CONNECTING HOOK A YM5100A	1 PC	
81	WV434450	CONNECTING HOOK B YM5100A	1 PC	
82	WV434460	PIPE RAIL HINGE L YM5100A	1 PC	
83	WV434470	PIPE RAIL HINGE R YM5100A	1 PC	
84	WV435760	WING BOLT YM5100A	1 PC	
85	WV436920	PLASTIC WASHER YM5100A	1 PC	
86	WV435570	FRAT SPURING WASHER YM5100A	1 PC	
87	WV434570	RUBBER LEG YM4600A	1 PC	
88	WV435870	HEXAGONAL NUT YM5100A	1 PACK(6PC/PACK)	
89	WV435910	BUTTON HEAD BOLT 4X12 YM5100A	1 PC	
90	WV435290	FLAT HEAD SCREW YM5100A	1 PACK(6PC/PACK)	
91	WV435890	BUTTON HEAD BOLT 4X8 YM5100A	1 PC	
92	V4359000	BUTTON HEAD BOLT 4X10YM5100A	1 PC.	
93	WV435740	FLAT SPRING WASHER YM5100A	1 PACK(6PC/PACK)	
94	WV435750	CAP NUT YM5100A	1 PACK(6PC/PACK)	
95	WV438560	FRAME END ASSY (LOW TONE END) YM4600A	1 PC	
96	V4386000	RAIL JOINT YM5100A	1 PC.	
97	WV438610	RAIL JOINT HOLDER 4L YM5100A	1 PC	
99	WV438650	RESONATOR ADJUSTER (LOW TONE FRONT)YM460	1 PC	