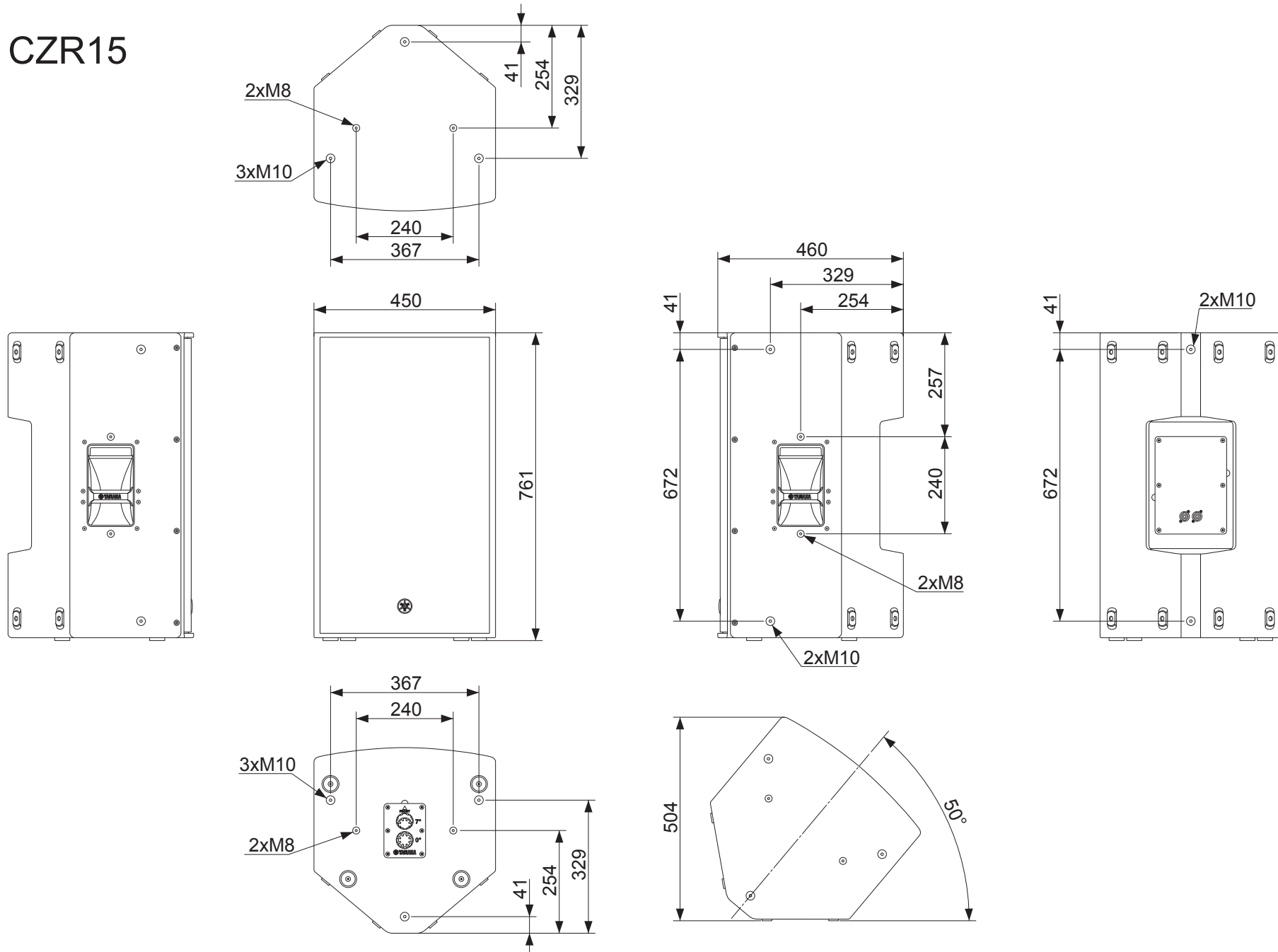


# Dimensions / 寸法図 (1/5)

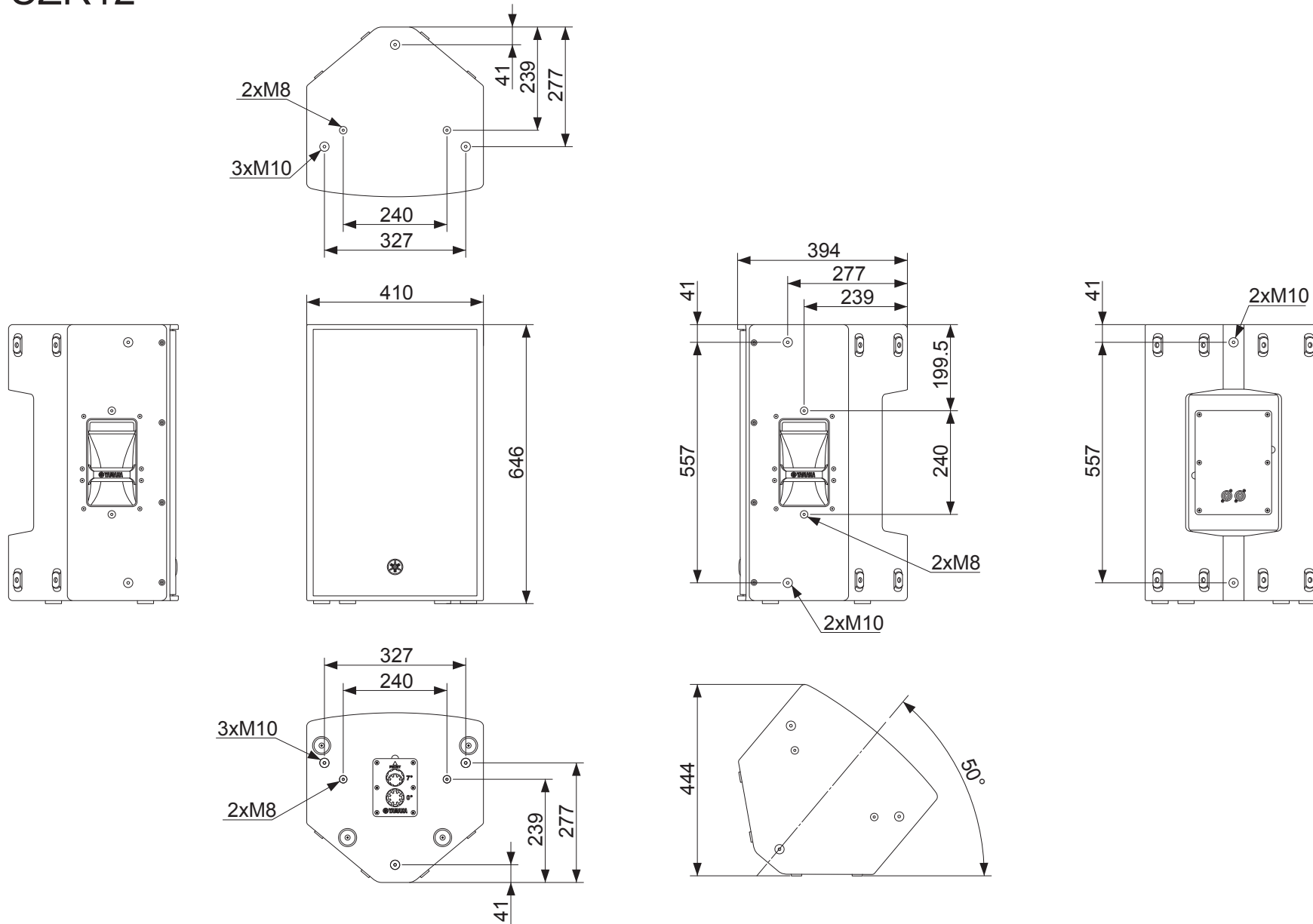
CZR15



Unit: mm

# Dimensions / 寸法図 (2/5)

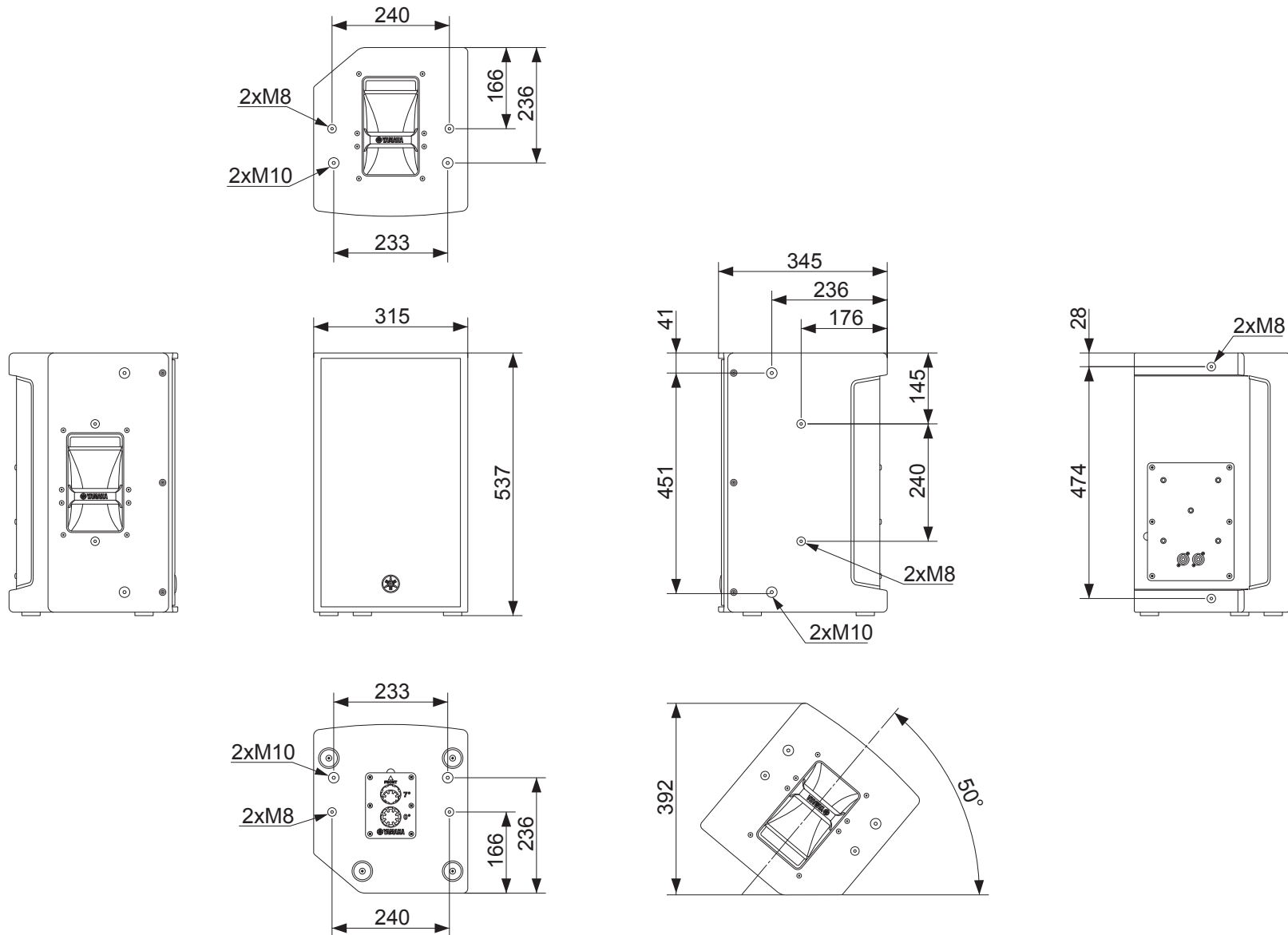
CZR12



Unit: mm

# Dimensions / 寸法図 (3/5)

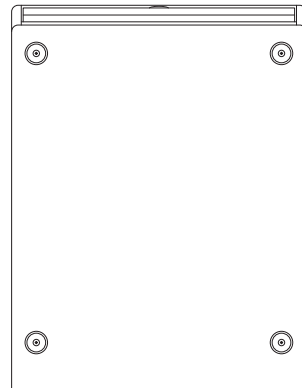
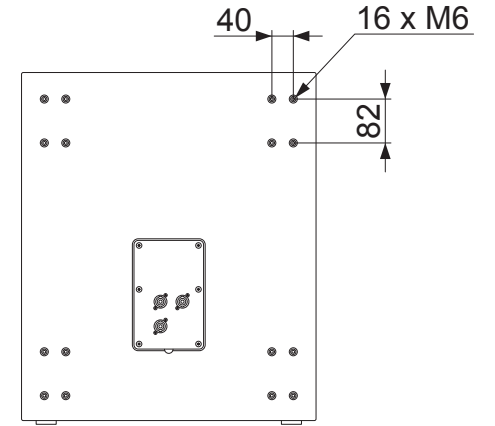
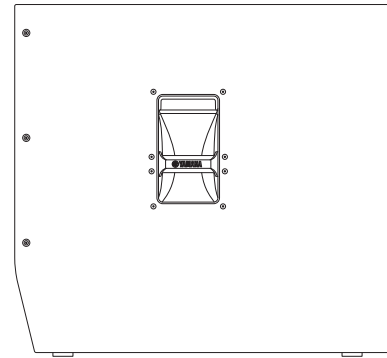
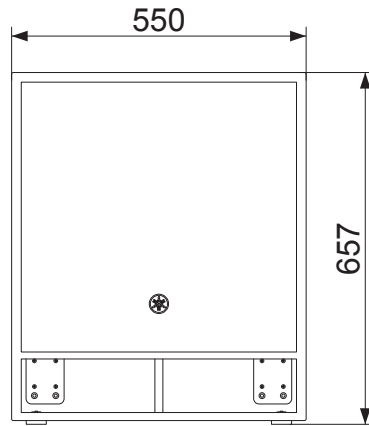
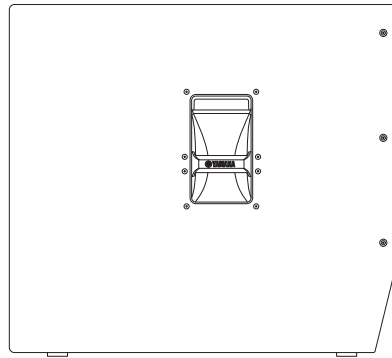
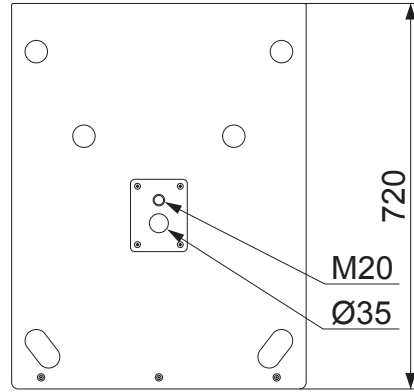
CZR10



Unit: mm

# Dimensions / 寸法図 (4/5)

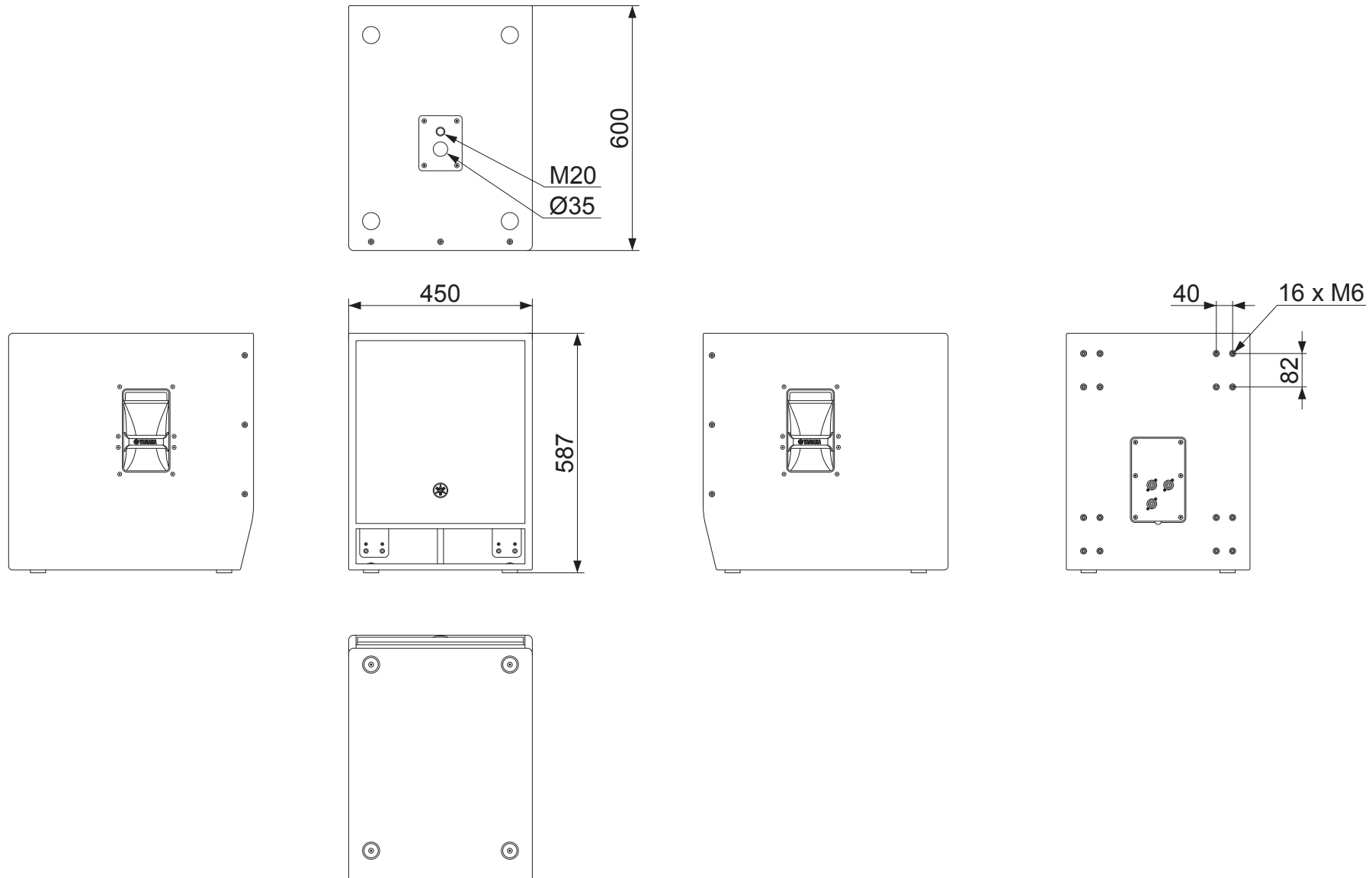
CXS18XLF



Unit: mm

# Dimensions / 寸法図 (5/5)

CXS15XLF



Unit: mm