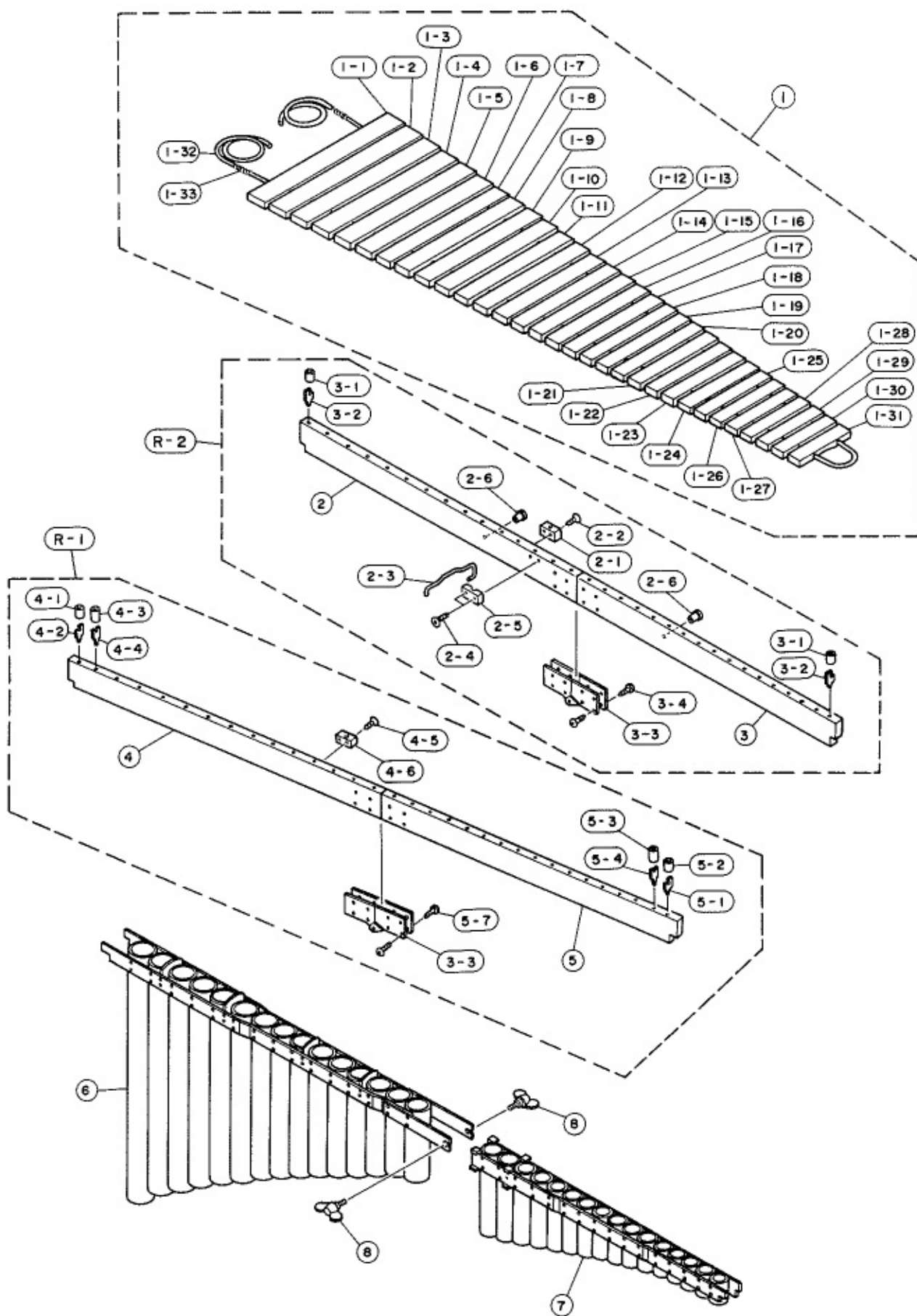
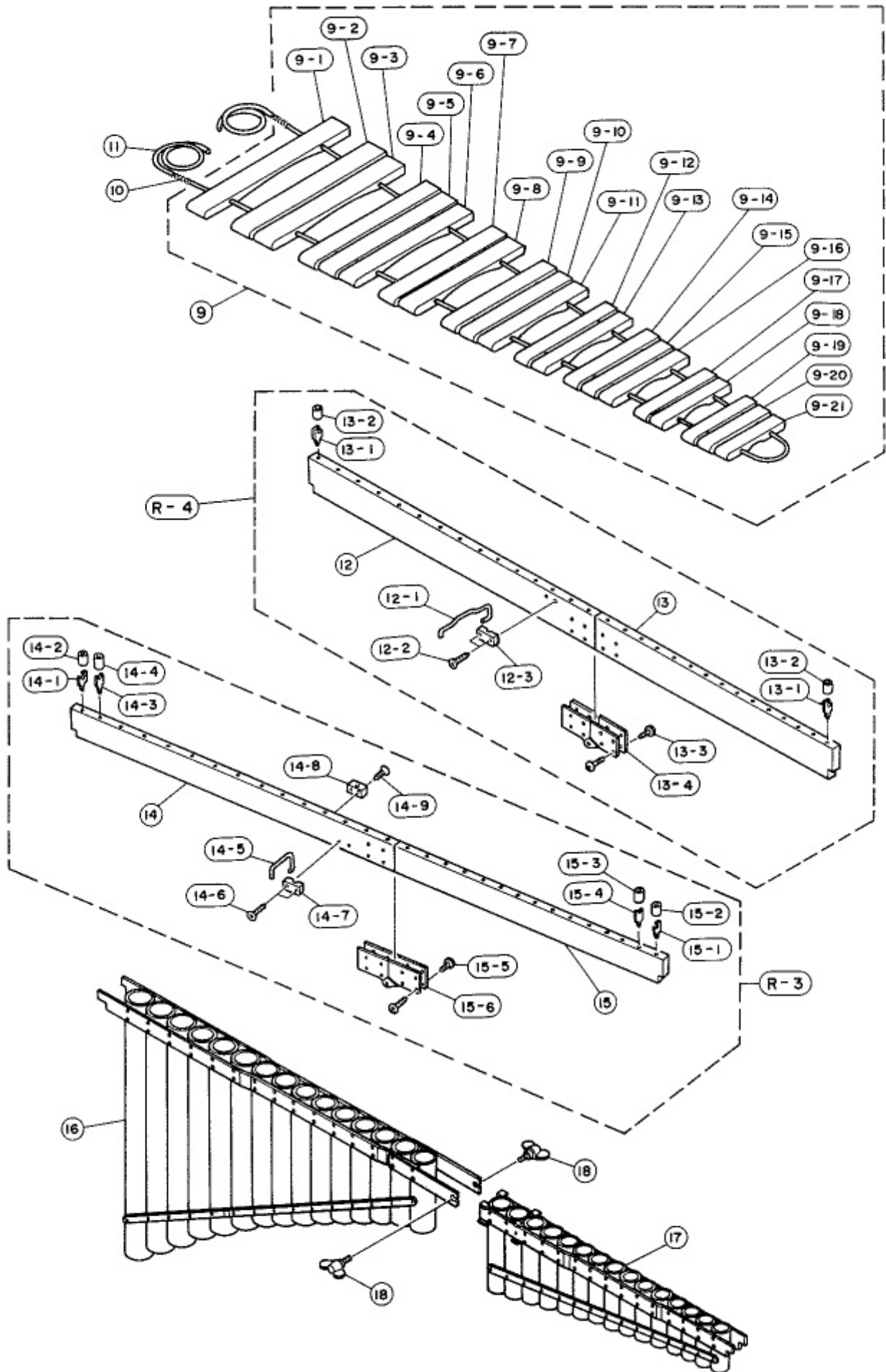


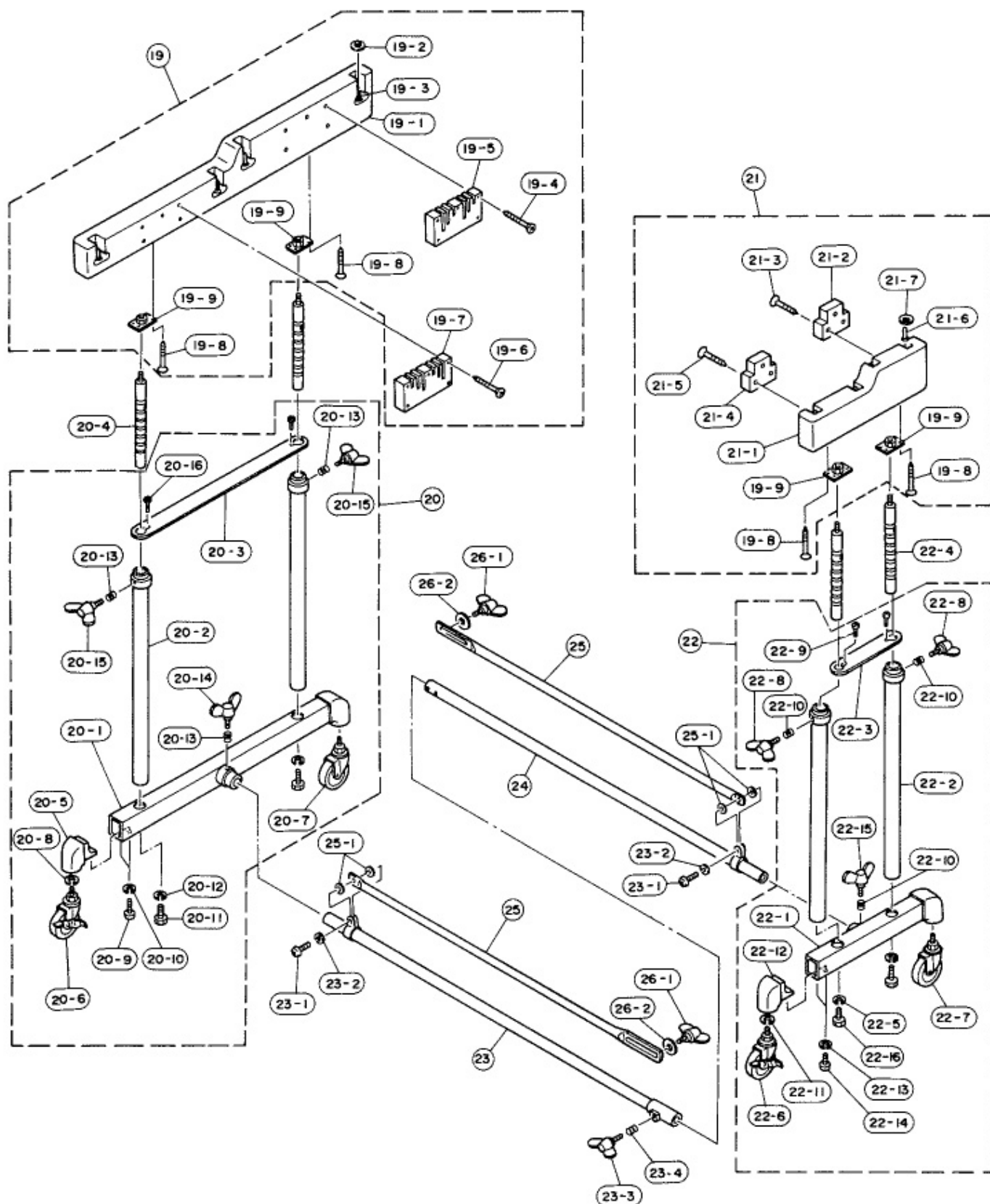
Model Name : YM-2400



Model Name : YM-2400



Model Name : YM-2400



Model Name : YM-2400

Ref No.	Parts No.(ChangeNo.)	English Name	Minimum Delivery	Accept order or not
1	W5026000	TONE BAR ASSY(NATURAL)YM2400	1 PC	
1-1	W5026010	TONE BAR 25K A YM2400	1 PC	
1-10	W5026100	TONE BAR 40K C YM2400	1 PC	
1-11	W5026110	TONE BAR 42K D YM2400	1 PC	
1-12	W5026120	TONE BAR 44K E YM2400	1 PC	
1-13	W5026130	TONE BAR 45K F YM2400	1 PC	
1-14	W5026140	TONE BAR 47K G YM2400	1 PC	
1-15	W5026150	TONE BAR 49K A YM2400	1 PC	
1-16	W5026160	TONE BAR 51K B YM2400	1 PC	
1-17	W5026170	TONE BAR 52K C YM2400	1 PC	
1-18	W5026180	TONE BAR 54K D YM2400	1 PC	
1-19	W5026190	TONE BAR 56K E YM2400	1 PC	
1-2	W5026020	TONE BAR 27K B YM2400	1 PC	
1-20	W5026200	TONE BAR 57K F YM2400	1 PC	
1-21	W5026210	TONE BAR 59K G YM2400	1 PC	
1-22	W5026220	TONE BAR 61K A YM2400	1 PC	
1-23	W5026230	TONE BAR 63K B YM2400	1 PC	
1-24	W5026240	TONE BAR 64K C YM2400	1 PC	
1-25	W5026250	TONE BAR 66K D YM2400	1 PC	
1-26	W5026260	TONE BAR 68K E YM2400	1 PC	
1-27	W5026270	TONE BAR 69K F YM2400	1 PC	
1-28	W5026280	TONE BAR 71K G YM2400	1 PC	
1-29	W5026290	TONE BAR 73K A YM2400	1 PC	
1-3	W5026030	TONE BAR 28K C YM2400	1 PC	
1-30	W5026300	TONE BAR 75K B YM2400	1 PC	
1-31	W5026310	TONE BAR 76K C YM2400	1 PC	
1-32	W5110270	TONE BAR SUS.CORD(BRAIDED VINYLON)YM4000	1 PC.	Discontinued.
1-33	W5110010	CODE TENSION SPRING (L) YT,YV	1 PC.	
1-4	W5026040	TONE BAR 30K D YM2400	1 PC	
1-5	W5026050	TONE BAR 32K E YM2400	1 PC	
1-6	W5026060	TONE BAR 33K F YM2400	1 PC	
1-7	W5026070	TONE BAR 35K G YM2400	1 PC	
1-8	W5026080	TONE BAR 37K A YM2400	1 PC	
1-9	W5026090	TONE BAR 39K B YM2400	1 PC	
10	W5110010	CODE TENSION SPRING (L) YT,YV	1 PC.	
11	W5110270	TONE BAR SUS.CORD(BRAIDED VINYLON)YM4000	1 PC.	Discontinued.
12	W5112811	RAIL NO.4-1(Low TONE END) YM2400	1 PC	
12-1	W5112821	RAIL JOINT (REAR) YM2400	1 PC	
12-2	EP335256	FLAT HEAD WOOD SCREW 3.5X25	1 PACK(6PC/PACK)	
12-3	W5110531	CLAMP BLOCK YM460	1 PC	

Model Name : YM-2400

Ref No.	Parts No.(ChangeNo.)	English Name	Minimum Delivery	Accept order or not
13	W5113221	RAIL NO,4-2(HIGH TONE END) YM2400	1 PC	
13-1	W5110650	TONE BAR SUSPENSION POST (I) YM-2400	1 PC	
13-2	W5130710	RUBBER INSULATOR 10X14 YT300D.600D	10 PC	
13-3	EP335206	FLAT HEAD WOOD SCREW 3.5X20	1 BAG	ORDER STOP
13-4	W5135201	RAIL HINGE YM410D	1 PC	
14	W5113201	RAIL ASS'Y NO.31 YM460	1 PC	
14-1	W5110650	TONE BAR SUSPENSION POST (I) YM-2400	1 PC	
14-2	W5130710	RUBBER INSULATOR 10X14 YT300D.600D	10 PC	
14-3	W5130470	TONE BAR SUSPENSION POST H YM400C	1 PC	
14-4	W5130710	RUBBER INSULATOR 10X14 YT300D.600D	10 PC	
14-5	W5113210	RAIL JOINT(MIDDLE) YM2300.YM2400	1 PC	
14-6	EP335256	FLAT HEAD WOOD SCREW 3.5X25	1 PACK(6PC/PACK)	
14-7	W5110531	CLAMP BLOCK YM460	1 PC	
14-8	W5110511	CRAMP MOUNT YM460.2400	1 PC	
14-9	EP335256	FLAT HEAD WOOD SCREW 3.5X25	1 PACK(6PC/PACK)	
15	W5113231	RAIL ASS'Y NO.32 YM460	1 PC	
15-1	W5110650	TONE BAR SUSPENSION POST (I) YM-2400	1 PC	
15-2	W5130710	RUBBER INSULATOR 10X14 YT300D.600D	10 PC	
15-3	W5130710	RUBBER INSULATOR 10X14 YT300D.600D	10 PC	
15-4	W5130470	TONE BAR SUSPENSION POST H YM400C	1 PC	
15-5	EP335206	FLAT HEAD WOOD SCREW 3.5X20	1 BAG	ORDER STOP
15-6	W5135201	RAIL HINGE YM410D	1 PC	
16	W5113241	ACCIDENTAL TONE RESONATORS ASS'Y YM2400	1 PC	
17	W5113251	ACCIDENTAL TONE RESONATORS ASS'Y YM2400	1 PC	
18	W5112790	RESONATERS CONNECTING BOLT YM2300.YM2400	1 PC	
19	W5113311	FRAME END ASS'Y(LOW TONE END) YM2400	1 PC	
19-1	W5113281	FRAME END (LOW TONE SIDE) YM460,YM2400	1 PC	
19-2	W5127650	PACKING YX-360	1 PC	
19-3	W5143021	RAIL JOINT YM41	1 PC	
19-4	EP345406	RESONATOR ADJUSTER MOUNTING SCREW(1)	1 PACK(6PC/PACK)	
19-5	W5113291	RESONATOR ADJUSTER (LOW TONE REAR)YM410D	1 PC	
19-6	EP345406	RESONATOR ADJUSTER MOUNTING SCREW(1)	1 PACK(6PC/PACK)	
19-7	W5113301	RESONATOR ADJUSTER(LOW TONE END) YM2400	1 PC	
19-8	EP351452	FLAT HEAD WOOD SCREW 5.1X45	1 PACK(2PC/PACK)	
19-9	W5110712	LEG MOUNT YM2400	1 PC	
2	W5110491	RAIL ASS'Y NO.2-1 YM-460	1 PC	
2-1	W5110511	CRAMP MOUNT YM460.2400	1 PC	
2-2	EP335256	FLAT HEAD WOOD SCREW 3.5X25	1 PACK(6PC/PACK)	
2-3	W5110521	RAIL JOINT(FRONT) YM460	1 PC	
2-4	EP335256	FLAT HEAD WOOD SCREW 3.5X25	1 PACK(6PC/PACK)	

Model Name : YM-2400

Ref No.	Parts No.(ChangeNo.)	English Name	Minimum Delivery	Accept order or not
2-5	W5110531	CLAMP BLOCK YM460	1 PC	
2-6	W5127601	CONTROLLER MOUNTING NUT M8X15.5 YM2400	1 PC	
20	W5127751	LEG BASE(LOW TONE END SIDE) YM2400	1 PC	
20-1	W5135535	LEG BASE(LOW TONE END SIDE) YM410	1 PC	
20-10	EV300066	SPRING WASHER 6.0MM	1 PACK(6PC/PACK)	
20-11	W5111321	LEG MOUNTING BOLT YM41	1 PC	
20-12	EV303806	SPRING WASHER M8 YX30E	1 BAG	
20-13	W5184107	MOUNT SPRING YV3200A	1 PC	
20-14	W5127691	WING BOLT M8X18 YV1600A	1 PC.	
20-15	W5127695	WING BOLT M8X15 YV3910J	1 PC.	
20-16	EA330086	PAN HEAD SCREW 3.0X8	1 PACK(6PC/PACK)	
20-2	W5127781	LEG PIPE ASS'Y YM460	1 PC	
20-3	W5140950	LEG PIPE ASS'Y (L) YM410	1 PC	
20-4	W5114005	SLIDE LEG YM2400	1 PC	
20-5	W5334107	CASTER HOLDER YV3200A	1 PC	
20-6	W5135451	CASTER (WITH BRAKE) YM410D	1 PC	
20-7	W5135461	CASTER YM410D	1 PC	
20-8	W5111310	SPRING WASHER YV-1600	1 PC	
20-9	EA160166	PAN HEAD SCREW 6.0X16	1 PACK(6PC/PACK)	
21	W5113321	FRAME END ASS'Y(HIGH TONE SIDE) YM2400	1 PC	
21-1	W5113331	FRAME END (HIGH TONE SIDE) YM460	1 PC	
21-2	W5113341	RESONATOR ADJUSTER (HIGH TONE REAR) YM41	1 PC	
21-3	EP345326	FLAT HEAD WOOD SCREW 4.5X32	1 BAG	
21-4	W5113371	RESONATOR ADJUSTER(NATURAL HIGH) YM2400	1 PC	
21-5	EP345326	FLAT HEAD WOOD SCREW 4.5X32	1 BAG	
21-6	W5143021	RAIL JOINT YM41	1 PC	
21-7	W5127650	PACKING YX-360	1 PC	
22	W5127822	LEG BASE(HIGH TONE END SIDE) YM2400	1 PC	
22-1	W5135591	LEG BASE(HIGH TONE END) YM410	1 PC	
22-10	W5184107	MOUNT SPRING YV3200A	1 PC	
22-11	W5111310	SPRING WASHER YV-1600	1 PC	
22-12	W5334107	CASTER HOLDER YV3200A	1 PC	
22-13	EV300066	SPRING WASHER 6.0MM	1 PACK(6PC/PACK)	
22-14	EA160166	PAN HEAD SCREW 6.0X16	1 PACK(6PC/PACK)	
22-15	W5127691	WING BOLT M8X18 YV1600A	1 PC.	
22-16	W5111321	LEG MOUNTING BOLT YM41	1 PC	
22-2	W5127781	LEG PIPE ASS'Y YM460	1 PC	
22-3	W5140960	LEG PIPE ASS'Y (R) YM410	1 PC	
22-4	W5114005	SLIDE LEG YM2400	1 PC	
22-5	EV330086	SPRING WASHER 8.0MM	1 BAG	

Model Name : YM-2400

Ref No.	Parts No.(ChangeNo.)	English Name	Minimum Delivery	Accept order or not
22-6	W5135451	CASTER (WITH BRAKE) YM410D	1 PC	
22-7	W5135461	CASTER YM410D	1 PC	
22-8	W5127695	WING BOLT M8X15 YV3910J	1 PC.	
22-9	EA330086	PAN HEAD SCREW 3.0X8	1 PACK(6PC/PACK)	
23	W5141431	LOWER CROSSBAR SUPPORT(LOW TONE)YM2400	1 PC	
23-1	EA160206	PAN HEAD SCREW 6.0X20	1 PACK(6PC/PACK)	
23-2	EV300066	SPRING WASHER 6.0MM	1 PACK(6PC/PACK)	
23-3	W5127695	WING BOLT M8X15 YV3910J	1 PC.	
23-4	W5184107	MOUNT SPRING YV3200A	1 PC	
24	W5141421	LOWER CROSSBAR SUPPORT(HIGH TONE)YM2400	1 PC	
25	W5127841	LEG STAY YM2400	1 PC	
25-1	W5261050	Bushing	PC	
26-1	W5127891	WING BOLT M6X10 YV2700	1 PC	
26-2	EV203086	PLAIN WASHAR 8.0MM YM2400	1 PACK(6PC/PACK)	
3	W5110551	RAIL ASS'Y NO.2-2 YM-460	1 PC	
3-1	W5130710	RUBBER INSULATOR 10X14 YT300D.600D	10 PC	
3-2	W5110650	TONE BAR SUSPENSION POST (I) YM-2400	1 PC	
3-3	W5135201	RAIL HINGE YM410D	1 PC	
3-4	EP335206	FLAT HEAD WOOD SCREW 3.5X20	1 BAG	ORDER STOP
4	W5110541	RAIL ASS'Y NO.1-1 YM460	1 PC	
4-1	W5130710	RUBBER INSULATOR 10X14 YT300D.600D	10 PC	
4-2	W5110650	TONE BAR SUSPENSION POST (I) YM-2400	1 PC	
4-3	W5130710	RUBBER INSULATOR 10X14 YT300D.600D	10 PC	
4-4	W5130470	TONE BAR SUSPENSION POST H YM400C	1 PC	
4-5	EP335256	FLAT HEAD WOOD SCREW 3.5X25	1 PACK(6PC/PACK)	
4-6	W5110510	CLAMP MOUNT YM2300.YM2400	1 PC	
5	W5110561	RAIL ASS'Y NO.1-2 YM460	1 PC	
5-1	W5110650	TONE BAR SUSPENSION POST (I) YM-2400	1 PC	
5-2	W5130710	RUBBER INSULATOR 10X14 YT300D.600D	10 PC	
5-3	W5130710	RUBBER INSULATOR 10X14 YT300D.600D	10 PC	
5-4	W5130470	TONE BAR SUSPENSION POST H YM400C	1 PC	
5-7	EP335206	FLAT HEAD WOOD SCREW 3.5X20	1 BAG	ORDER STOP
6	W5110581	NATURAL TONE RESONATERS ASS'Y(LOW)YM2400	1 PC	
7	W5110591	NATURAL TONE RESONATERS ASS'Y HIGHYM2400	1 PC	
8	W5112790	RESONATERS CONNECTING BOLT YM2300.YM2400	1 PC	
9	W5026500	TONE BAR ASS'Y(ACCIDENTAL)YM2400	1 PC	
9-1	W5026510	TONE BAR 26K A# YM2400	1 PC	
9-10	W5026600	TONE BAR 48K G# YM2400	1 PC	
9-11	W5026610	TONE BAR 50K A# YM2400	1 PC	
9-12	W5026620	TONE BAR 53K C# YM2400	1 PC	

