

## Overview

---

Flexible wireless microphones system customized to your use case.



## Features

---

- Wireless system using 1.9 GHz, composed of access point, microphone, and charging station
- The access point supports 8 channels
- Available microphone formfactors: 6" (15 cm) gooseneck, 12" (30 cm) gooseneck, omnidirectional boundary, and cardioid directional boundary
- Approximately 20 hours of continuous microphone operation time using the included Li-ion battery
- Standard network audio support for "Dante"
- Utilizes one PoE+ network cable connection avoiding wiring problems and enabling audio control via Dante
- The Web UI Setup Wizard allows for effortless configuration, microphone pairing, audio routing, and other system management

## Specifications

1/5

### General Specifications

#### RM-WDR

Description	Wireless Microphone	
Colour	Black	
Dimensions (W x D x H)	W 89.0 mm x D 89.0 mm x H 26.0 mm (including rubber feet)	
Weight	130 g (including battery)	
Directivity	Unidirectional	
Power Requirements	Rechargeable Li-ion Battery 3.6 V 2350 mA/h	
Maximum Power Consumption	5.0 V 0.7 A	
Battery	Talk Time	Approximately 20 hours (power on)
	Standby Time	7 days
	Charge Time	Full charging: 5 hours, 80% charging: 3 hours
In Operation	Temperature	0°C - 40°C
	Humidity	20% - 85% (no condensation)
In Charging	Temperature	5°C - 40°C
	Humidity	20% - 85% (no condensation)
Storage	Temperature	-20°C - 60°C
	Humidity	10% - 90% (no condensation)
Indicators	Microphone indicator (3 colours) x 1, Battery indicator (3 colours) x 1	
Buttons	Microphone button x 1, Battery button x 1, PAIR button x 1	
Connectors	USB Type C (for battery charging) x 1, Charger I/F (4pin) x 1	
Accessories	Battery (RM-WBT) x 1, Owner's manual x 1	
Options	Replacement Battery RM-WBT	

#### RM-WOM

Description	Wireless Microphone	
Colour	Black	
Dimensions (W x D x H)	W 89.0 mm x D 89.0 mm x H 26.0 mm (including rubber feet)	
Weight	126 g (including battery)	
Directivity	Omnidirectional	
Power Requirements	Rechargeable Li-ion Battery 3.6 V 2350 mA/h	
Maximum Power Consumption	5.0 V 0.7 A	
Battery	Talk Time	Approximately 20 hours (power on)
	Standby Time	7 days
	Charge Time	Full charging: 5 hours, 80% charging: 3 hours
In Operation	Temperature	0°C - 40°C
	Humidity	20% - 85% (no condensation)
In Charging	Temperature	5°C - 40°C
	Humidity	20% - 85% (no condensation)
Storage	Temperature	-20°C - 60°C
	Humidity	10% - 90% (no condensation)
Indicators	Microphone indicator (3 colours) x 1, Battery indicator (3 colours) x 1	
Buttons	Microphone button x 4, Battery button x 1, PAIR button x 1	
Connectors	USB Type C (for battery charging) x 1, Charger I/F (4pin) x 1	
Accessories	Battery (RM-WBT) x 1, Owner's manual x 1	
Options	Replacement Battery RM-WBT	

## Specifications

2/5

### RM-WGL

Description	Wireless Microphone	
Colour	Black	
Dimensions (W x D x H)	W 89.0 mm x D 89.0 mm x H 308.4 mm (including rubber feet and to center of gooseneck mic)	
Weight	152 g (including battery)	
Directivity	Unidirectional	
Power Requirements	Rechargeable Li-ion Battery 3.6 V 2350 mA/h	
Maximum Power Consumption	5.0 V 0.7 A	
Battery	Talk Time	Approximately 20 hours (power on)
	Standby Time	7 days
	Charge Time	Full charging: 5 hours, 80% charging: 3 hours
In Operation	Temperature	0°C - 40°C
	Humidity	20% - 85% (no condensation)
In Charging	Temperature	5°C - 40°C
	Humidity	20% - 85% (no condensation)
Storage	Temperature	-20°C - 60°C
	Humidity	10% - 90% (no condensation)
Indicators	Microphone indicator (3 colours) x 1, Ring indicator (3 colours) x 1, Battery indicator (3 colours) x 1	
Buttons	Microphone button x 1, Battery button x 1, PAIR button x 1	
Connectors	USB Type C (for battery charging) x 1, Charger I/F (4pin) x 1	
Accessories	Battery (RM-WBT) x 1, Owner's manual x 1	
Options	Replacement Battery RM-WBT	

### RM-WGS

Description	Wireless Microphone	
Colour	Black	
Dimensions (W x D x H)	W 89.0 mm x D 89.0 mm x H 171.2 mm (including rubber feet and to center of gooseneck mic)	
Weight	140 g (including battery)	
Directivity	Unidirectional	
Power Requirements	Rechargeable Li-ion Battery 3.6 V 2350 mA/h	
Maximum Power Consumption	5.0 V 0.7 A	
Battery	Talk Time	Approximately 20 hours (power on)
	Standby Time	7 days
	Charge Time	Full charging: 5 hours, 80% charging: 3 hours
In Operation	Temperature	0°C - 40°C
	Humidity	20% - 85% (no condensation)
In Charging	Temperature	5°C - 40°C
	Humidity	20% - 85% (no condensation)
Storage	Temperature	-20°C - 60°C
	Humidity	10% - 90% (no condensation)
Indicators	Microphone indicator (3 colours) x 1, Ring indicator (3 colours) x 1, Battery indicator (3 colours) x 1	
Buttons	Microphone button x 1, Battery button x 1, PAIR button x 1	
Connectors	USB Type C (for battery charging) x 1, Charger I/F (4pin) x 1	
Accessories	Battery (RM-WBT) x 1, Owner's manual x 1	
Options	Replacement Battery RM-WBT	

## Specifications

3/5

### RM-WAP-16

Description	Microphone Access Point	
Colour	White (paintable surface)	
Dimensions (W x D x H)	W 171.2 mm x D 172.5 mm x H 42.8 mm	
Weight	812 g (including mounting bracket)	
Power Requirements	PoE Class 3 (IEEE 802.3af)	
Maximum Power Consumption	48 V 0.2 A	
In Operation	Temperature	0°C - 40°C
	Humidity	20% - 85% (no condensation)
Storage	Temperature	-20°C - 60°C
	Humidity	10% - 90% (no condensation)
Indicators	Power indicator (3 colours) x 1, Status indicator (3 colours) x 1	
Buttons	Reset button x 1	
Connectors	RJ-45	
Mount	Wall mount, Ceiling mount (with bracket), Flat placing	
Maximum Device Number with RM-CR	1	
Accessories	Owner's manual x 1, Mounting bracket x 1 *Screw for mounting bracket or safety wire are not included	

### RM-WAP-8

Description	Microphone Access Point	
Colour	White (paintable surface)	
Dimensions (W x D x H)	W 171.2 mm x D 172.5 mm x H 42.8 mm	
Weight	650 g (including mounting bracket)	
Power Requirements	PoE Class 3 (IEEE 802.3af)	
Maximum Power Consumption	48 V 0.2 A	
In Operation	Temperature	0°C - 40°C
	Humidity	20% - 85% (no condensation)
Storage	Temperature	-20°C - 60°C
	Humidity	10% - 90% (no condensation)
Indicators	Power indicator (3 colours) x 1, Status indicator (3 colours) x 1	
Buttons	Reset button x 1	
Connectors	RJ-45	
Mount	Wall mount, Ceiling mount (with bracket), Flat placing	
Maximum Device Number with RM-CR	2	
Accessories	Owner's manual x 1, Mounting bracket x 1 *Screw for mounting bracket or safety wire are not included	

## Specifications

4/5

### RM-WCH-8

Description	Microphone Charger	
Colour	Black	
Dimensions (W x D x H)	W 304.0 mm x D 188.0 mm x H 41.5 mm (including rubber feet)	
Weight	800 g	
Material	Plastic	
Power Requirements	DC IN (16 V, 2.4 A)	
Maximum Power Consumption	16.0 V 2.0 A	
In Operation	Temperature	0°C - 40°C
	Humidity	20% - 85% (no condensation)
In Charging	Temperature	5°C - 40°C
	Humidity	20% - 85% (no condensation)
Storage	Temperature	-20°C - 60°C
	Humidity	10% - 90% (no condensation)
Indicators	ACTIVATE indicator (3 colours) x 1	
Buttons	ACTIVATE button x 1, PAIR button x 1	
Connectors	DC IN 16V	
Accessories	Owner's manual x 1, AC adapter x 1, Power cable x 1 (for Japan and USA), x 3 (for Europe)	

### RM-WBT

Description	Replacement Battery	
Colour	Black	
Dimensions (W x D x H)	W 34.95 mm x D 52.5 mm x H 11.15 mm	
Weight	42 g	
Voltage	3.6 V	
Nominal Capacity	2350 mA/h	
Maximum Charge Current	1.59 A	
Maximum Charge Voltage	4.20 V	
Maximum Discharge Current	2.30 A	
In Operation	Temperature	0°C - 40°C
	Humidity	20% - 85% (no condensation)
Storage	Temperature	-20°C - 60°C
	Humidity	10% - 90% (no condensation)
Accessories	Safety brochure x 1	

## Specifications

5/5

### Network Specifications

#### RM-WAP-16/RM-WAP-8

Ethernet	Dante, Remote Control, Web UI, PoE
Cable Requirements	CAT5e or higher (STP)

### Audio Specifications

Frequency Response		160 Hz - 16 kHz
Sampling Rate		48 kHz
Bit Depth		24 bit
Latency	RM-WDR/RM-WOM	30 ms - 35 ms nominal (without signal processing in High Quality mode) 110 ms nominal (with signal processing in High Quality mode)
	RM-WGL/RM-WGS	30 ms - 35 ms nominal (without signal processing in High Quality mode) 110 ms nominal (with signal processing in High Quality mode)
Audio I/O	Dante	RM-WAP-16: 1 in/16 out RM-WAP-8: 1 in/8 out
Maximum Input Level of SPL (0 dBFS)	RM-WDR	100.2 dB SPL
	RM-WOM	99.4 dB SPL
	RM-WGL	106.2 dB SPL
	RM-WGS	106.2 dB SPL
Self Noise	RM-WDR	-24.7 dBA SPL
	RM-WOM	-23.0 dBA SPL
	RM-WGL	-19.3 dBA SPL
	RM-WGS	-19.3 dBA SPL
SNR (Ref. 94 dB SPL at 1 kHz)	RM-WDR	118.7 dBA
	RM-WOM	117.0 dBA
	RM-WGL	113.3 dBA
	RM-WGS	113.3 dBA
Sensitivity	RM-WDR	-6.2 dBFS/Pa
	RM-WOM	-5.4 dBFS/Pa
	RM-WGL	-12.2 dBFS/Pa
	RM-WGS	-12.2 dBFS/Pa
Dynamic Range	RM-WDR	124.9 dBA
	RM-WOM	122.4 dBA
	RM-WGL	125.5 dBA
	RM-WGS	125.5 dBA
Signal Processing		Adaptive Echo Canceller, Noise Reduction, Dereverberation, Auto Gain Control, Parametric EQ, Output Gain Adjustment

### Wireless Specifications

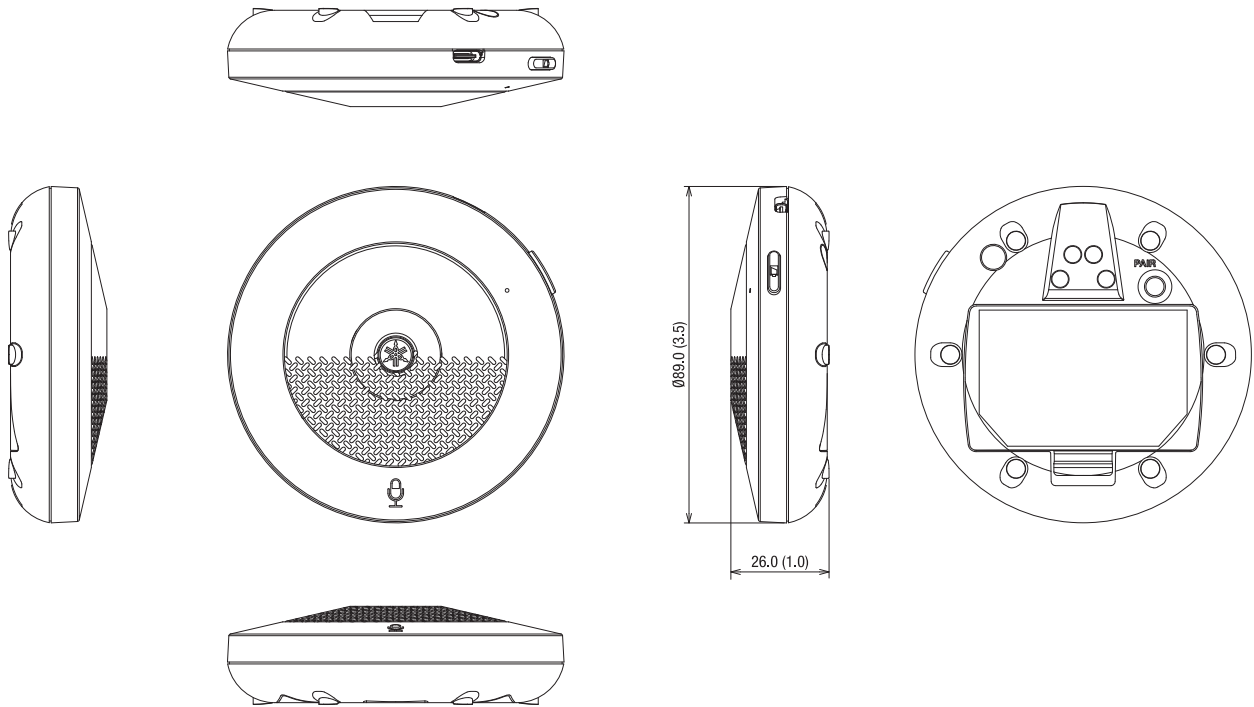
Radio Method	1.9 GHz DECT standard
Radio Frequency Range	USA, Canada: 1920.0 MHz - 1930.0 MHz Japan: 1893.5 MHz - 1906.1 MHz EU, Australia, New Zealand, Norway, UK, Hong Kong, UAE, Singapore: 1880.0 MHz - 1900.0 MHz
Maximum RF Power Level (EIRP)	USA, Canada: 20.1 dBm Japan: 27.0 dBm EU, Australia, New Zealand, Norway, UK, Hong Kong: 25.9 dBm UAE, Singapore: 23.8dBm
Maximum Coverage Distance	50 m (depends on the usage environment)
Encryption	AES (256-bit)

**Dimensions**

**1/6**

Unit: mm (inch)

**RM-WDR**

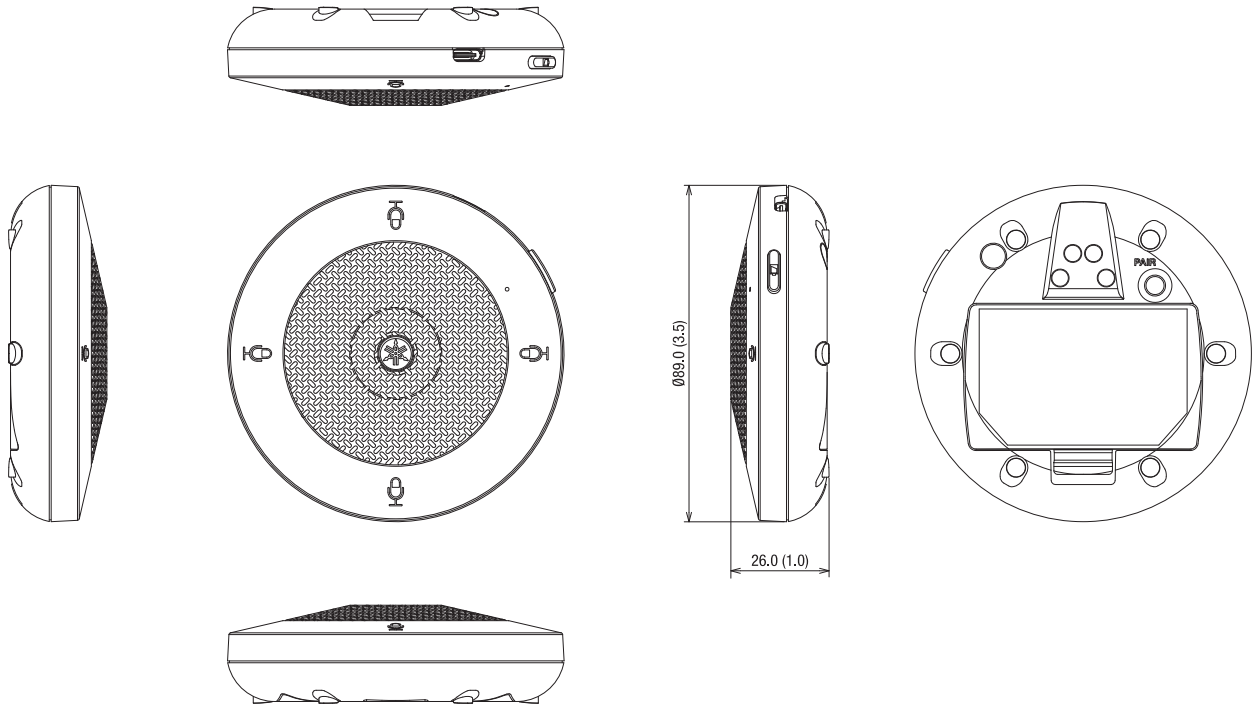


**Dimensions**

**2/6**

Unit: mm (inch)

**RM-WOM**



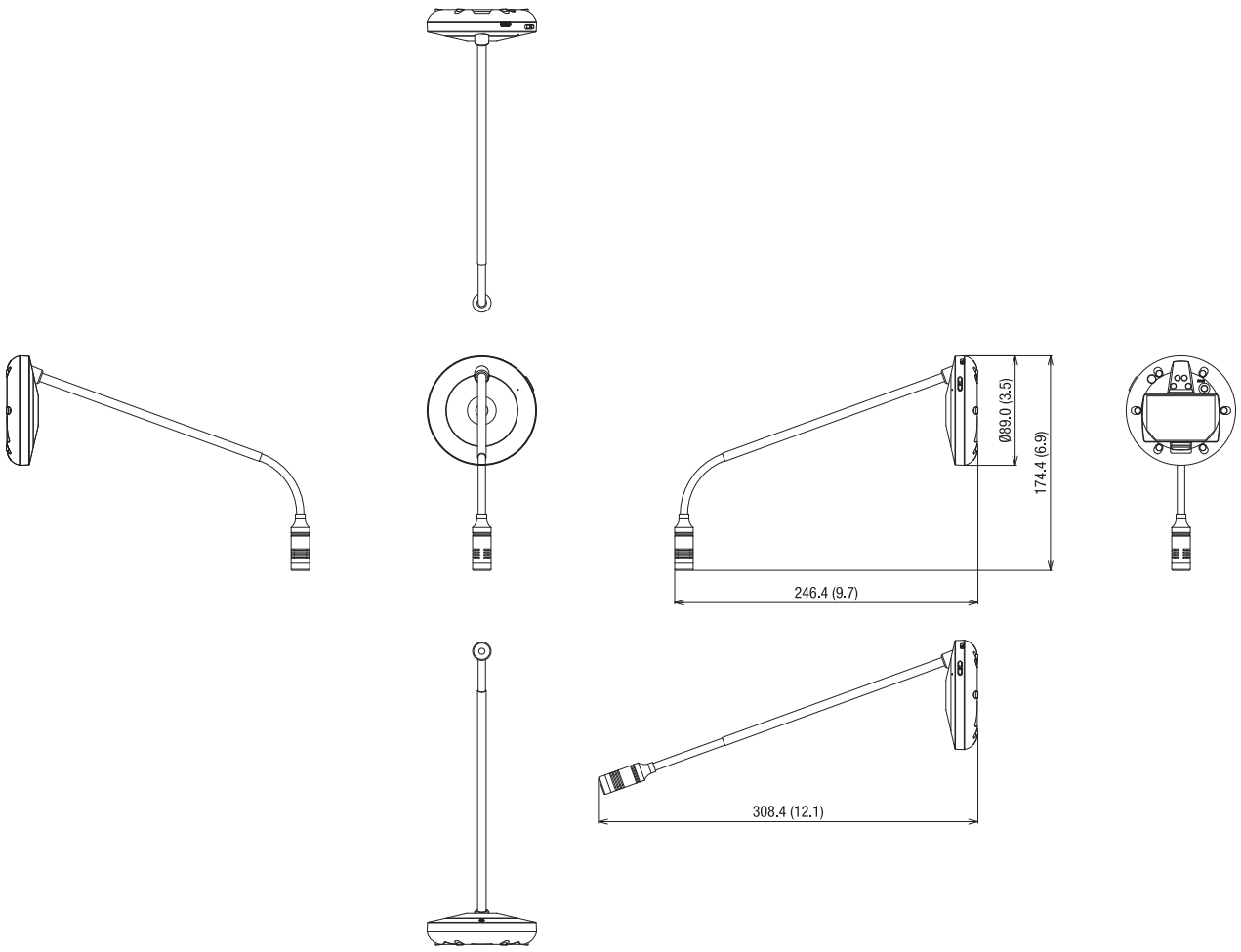


**Dimensions**

**3/6**

Unit: mm (inch)

**RM-WGL**

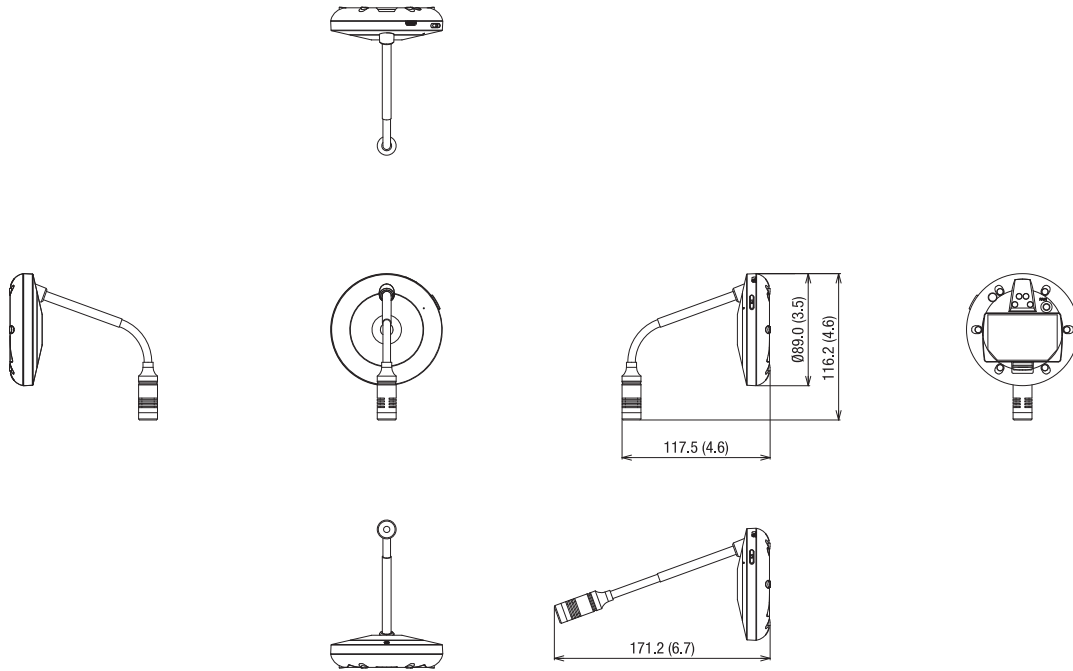


**Dimensions**

**4/6**

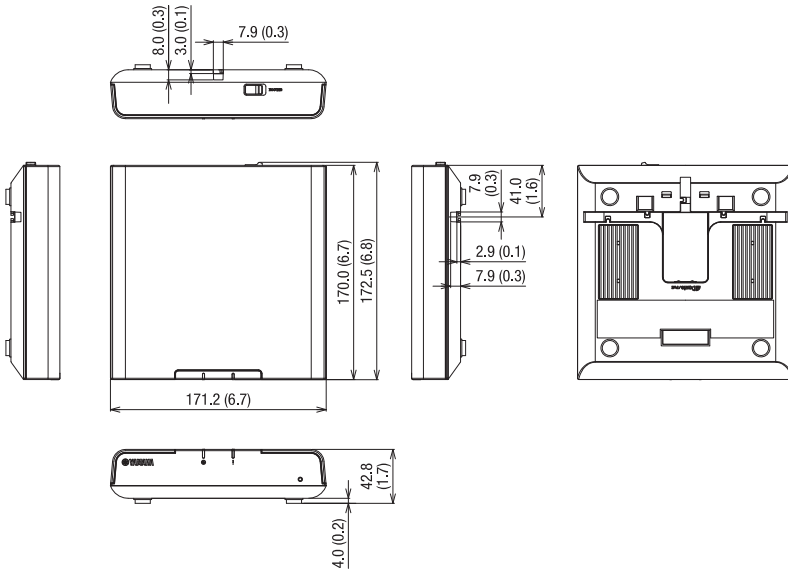
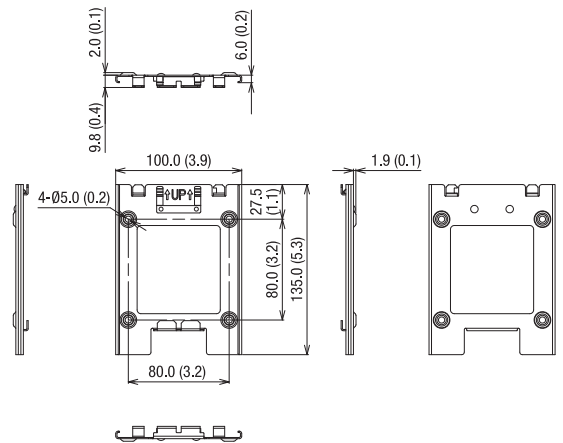
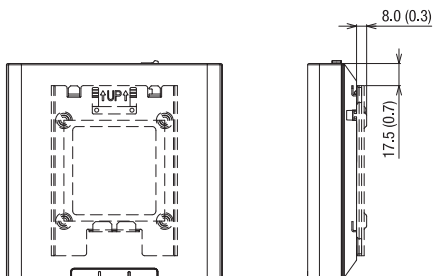
Unit: mm (inch)

**RM-WGS**



**Dimensions**
**5/6**

Unit: mm (inch)

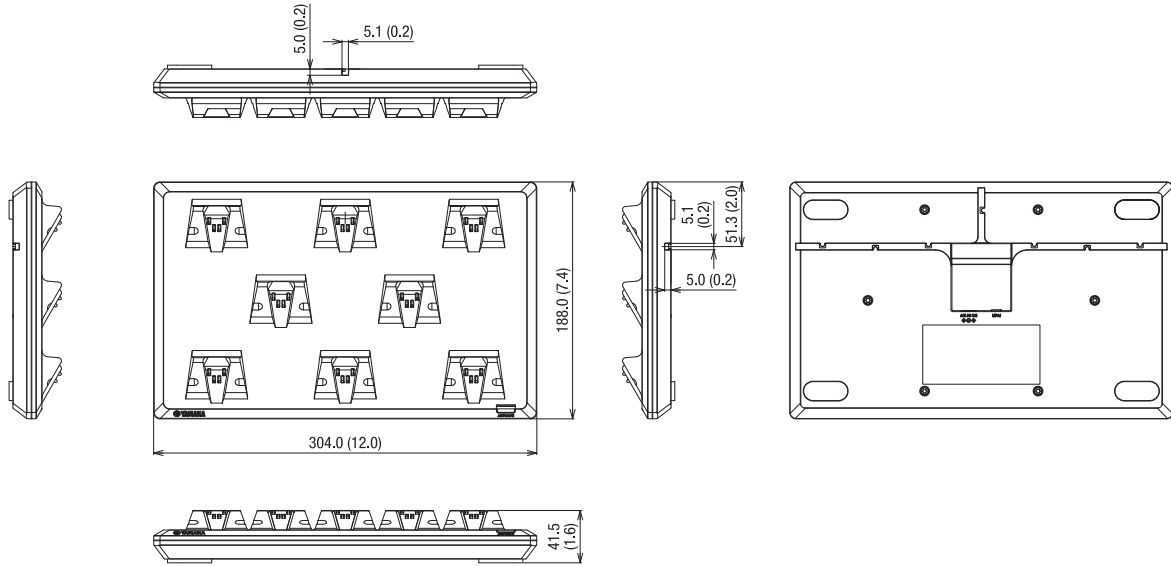
**RM-WAP-16/RM-WAP-8**
**Body**

**Bracket**

**Body + Bracket**


**Dimensions**

**6/6**

Unit: mm (inch)

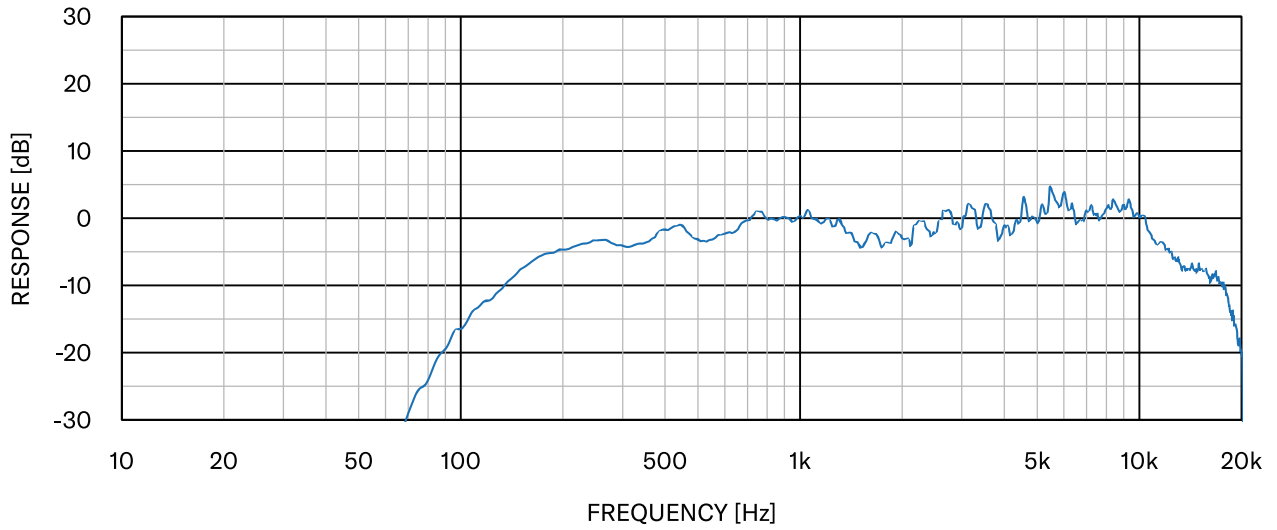
**RM-WCH-8**



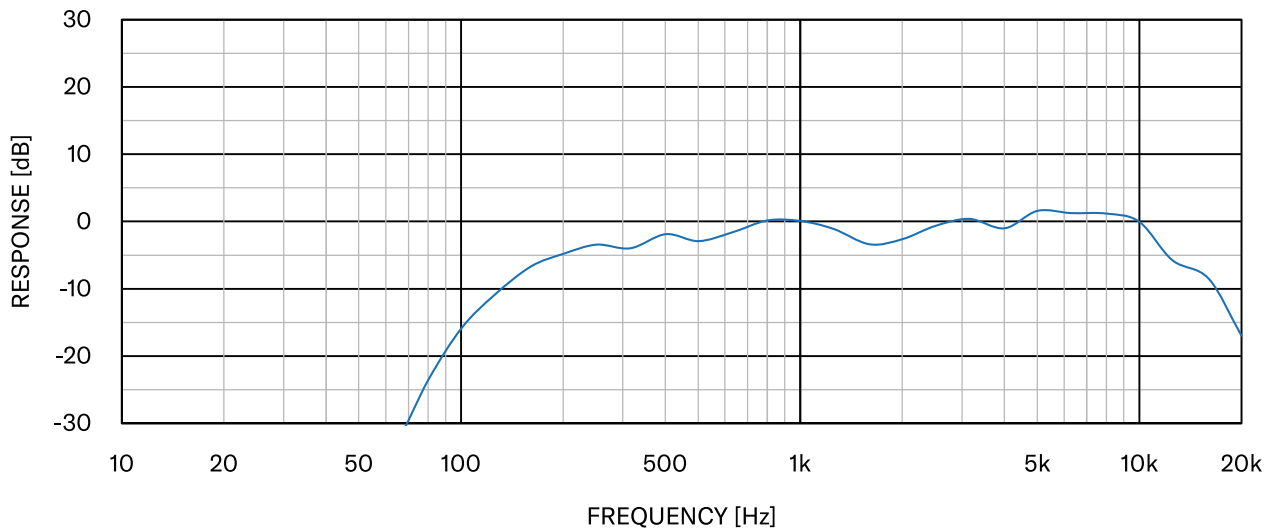
**Frequency Response**

**RM-WDR**

LINEAR



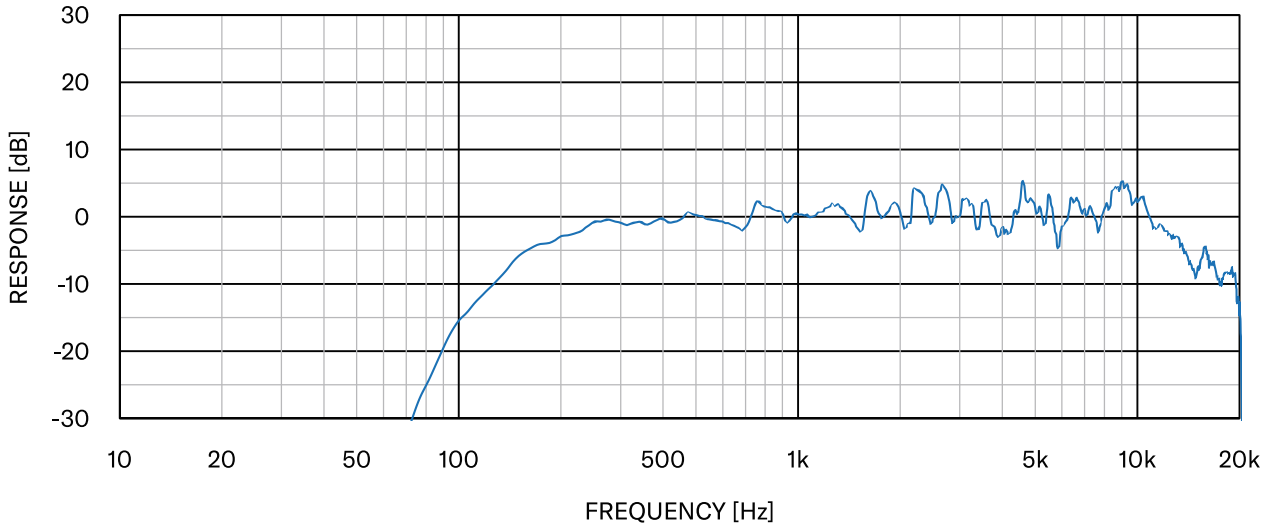
1/3 octave band



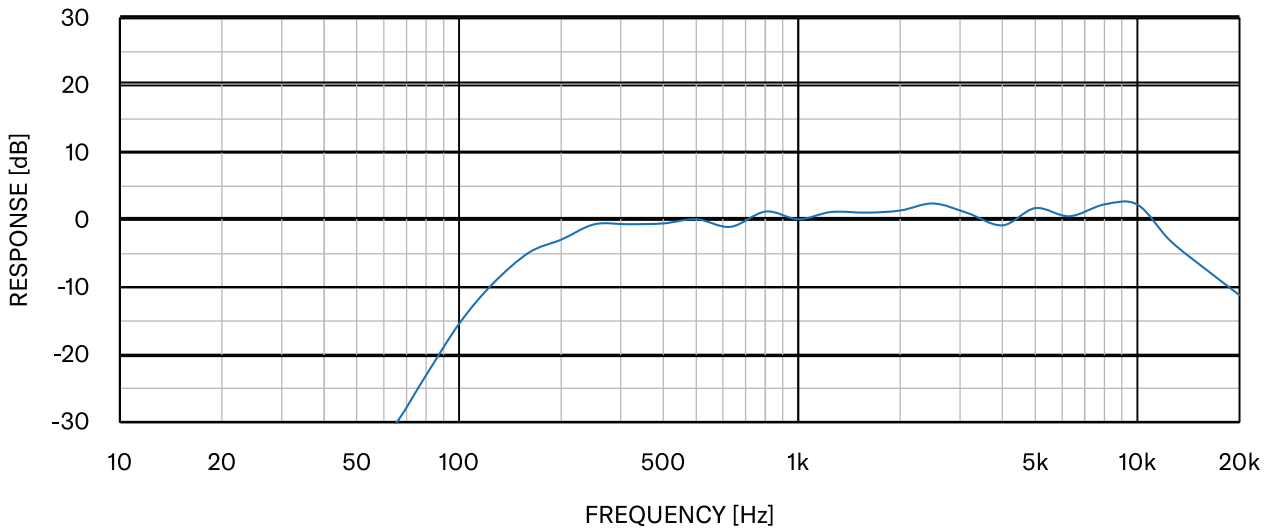
**Frequency Response**

RM-WOM

LINEAR



1/3 octave band

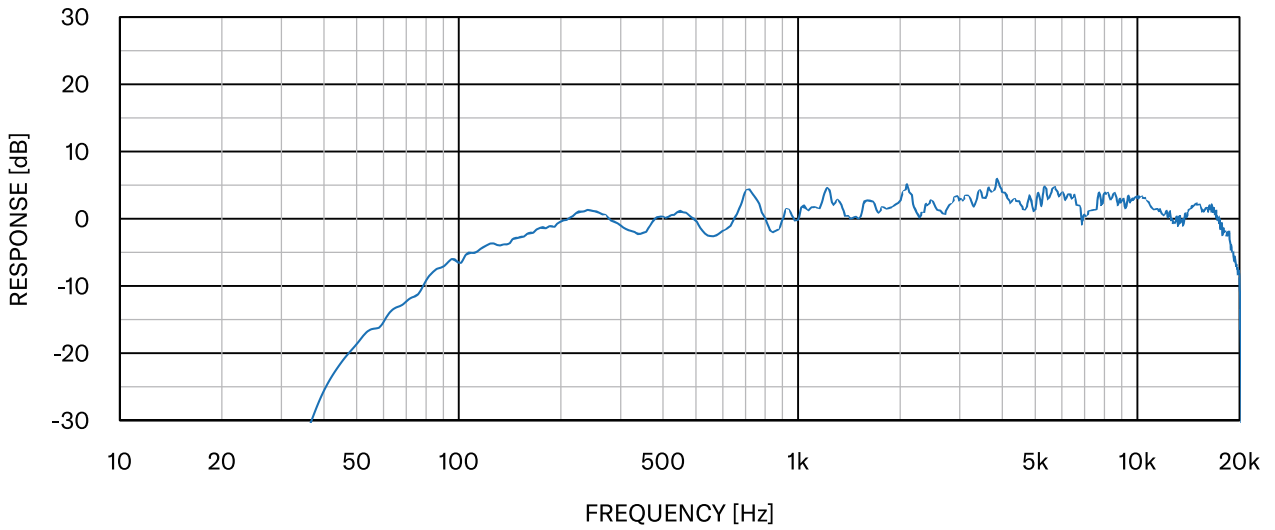


**Frequency Response**

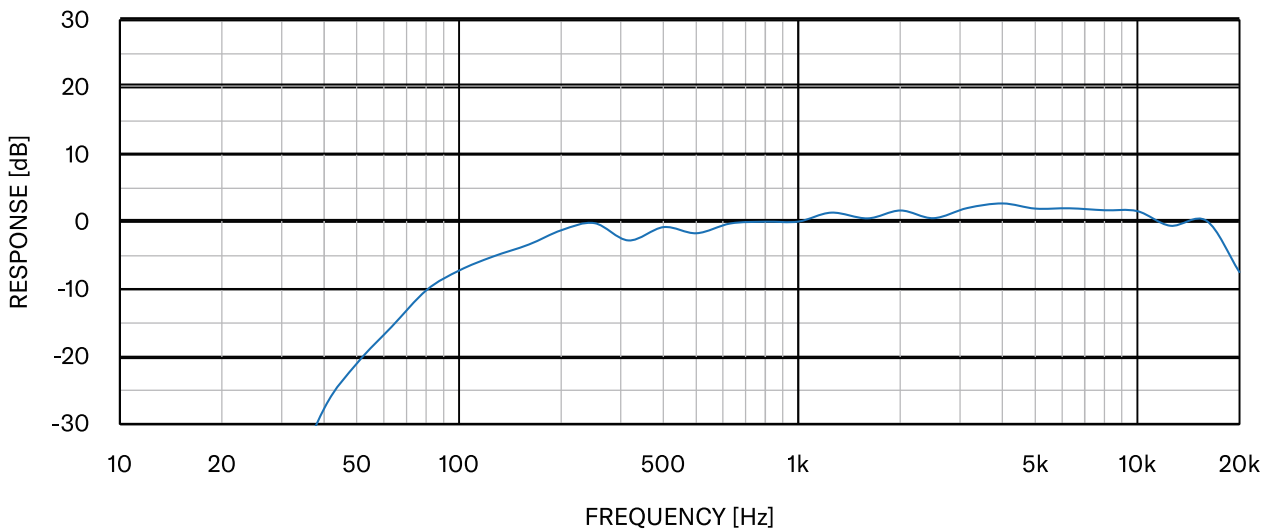
**3/4**

**RM-WGL**

LINEAR



1/3 octave band

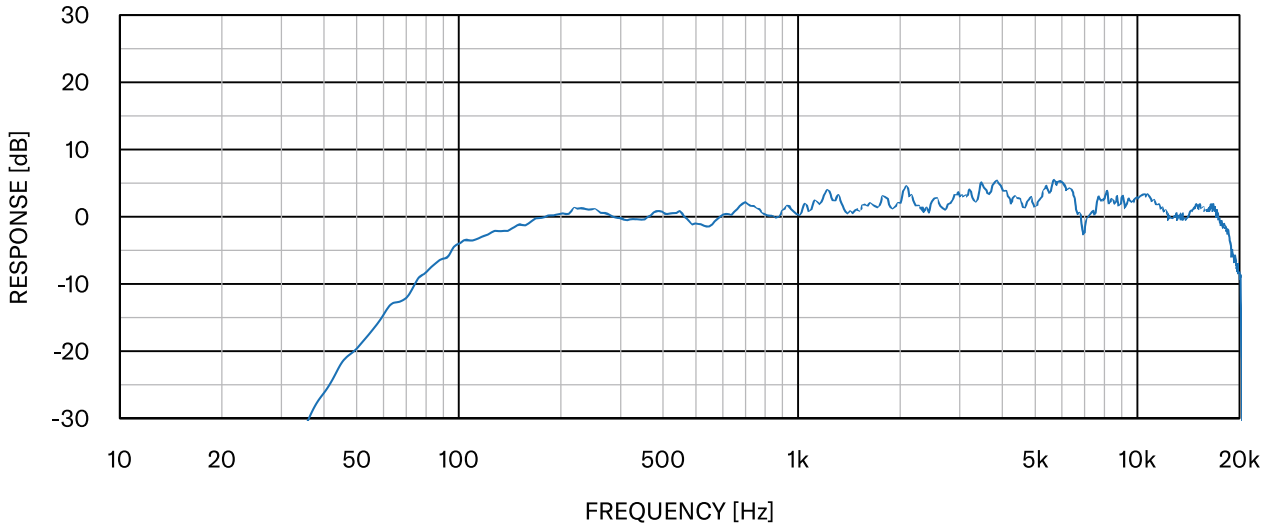


**Frequency Response**

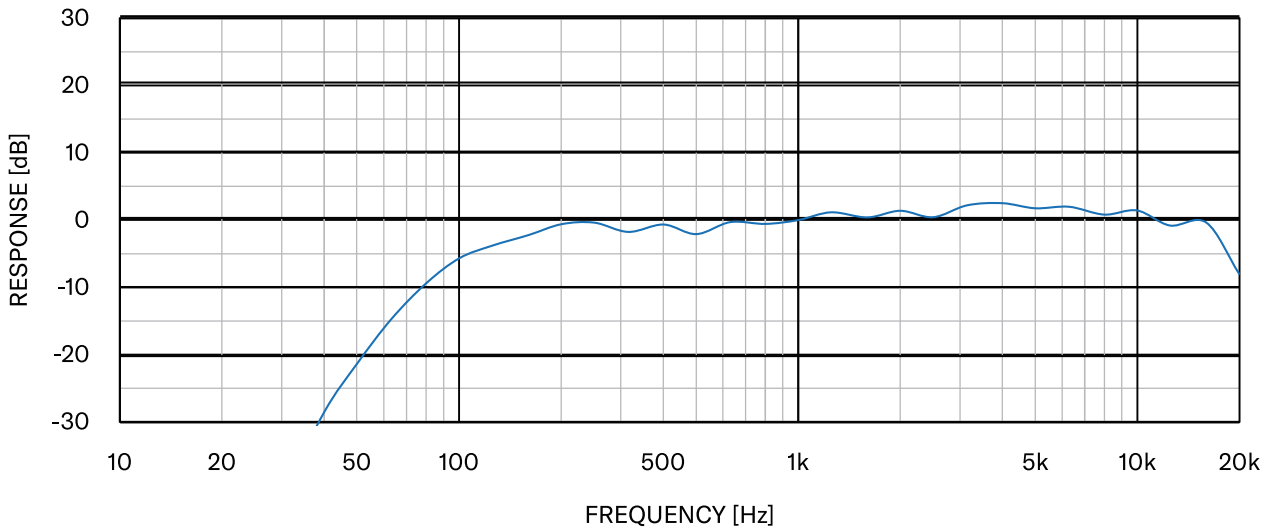
**4/4**

**RM-WGS**

LINEAR



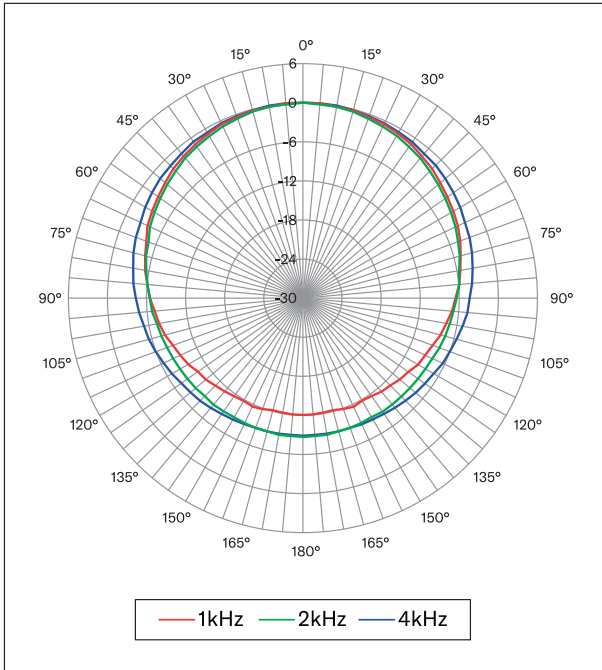
1/3 octave band



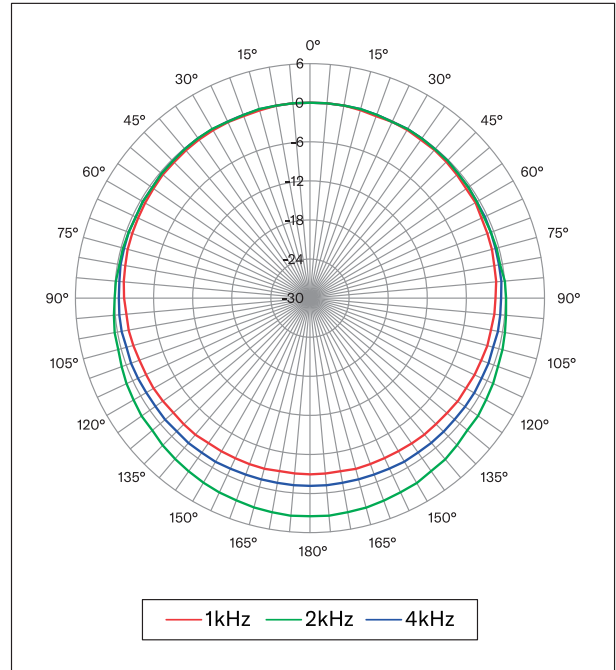


## Directional Characteristics

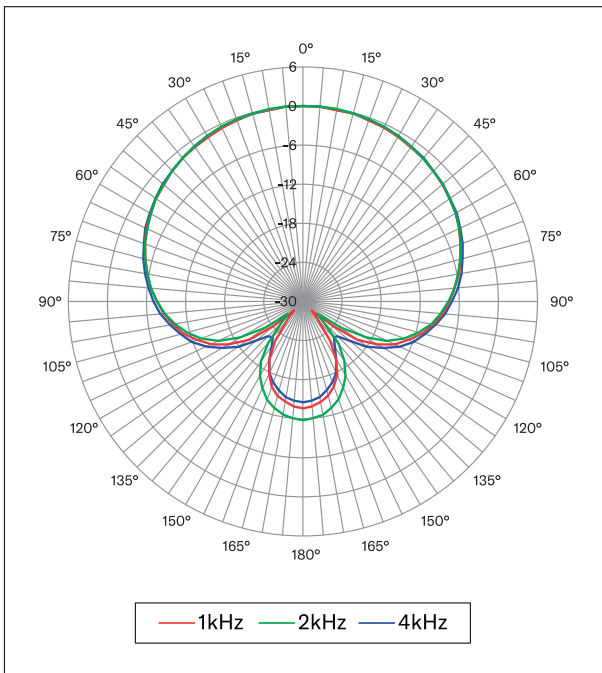
RM-WDR



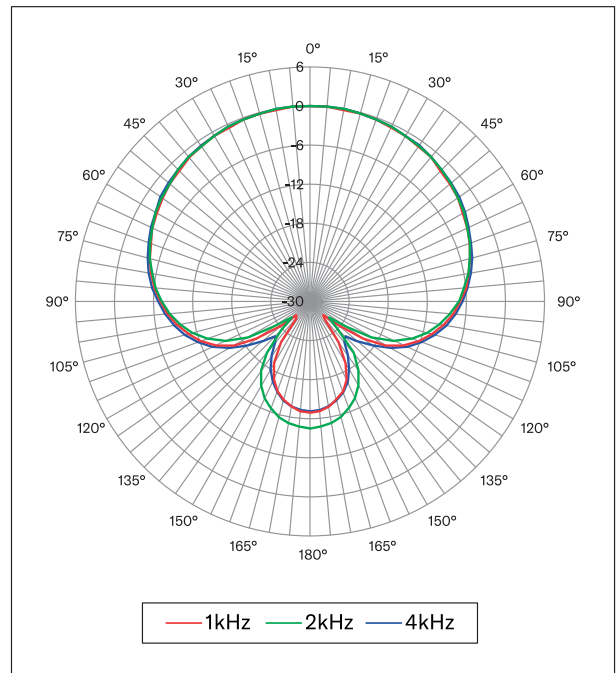
RM-WOM



RM-WGL



RM-WGS



\*All information subject to change without notice.

\*All trademarks and registered trademarks are property of their respective owners.

Created in November, 2024

YAMAHA CORPORATION  
P.O.BOX 1, Hamamatsu Japan