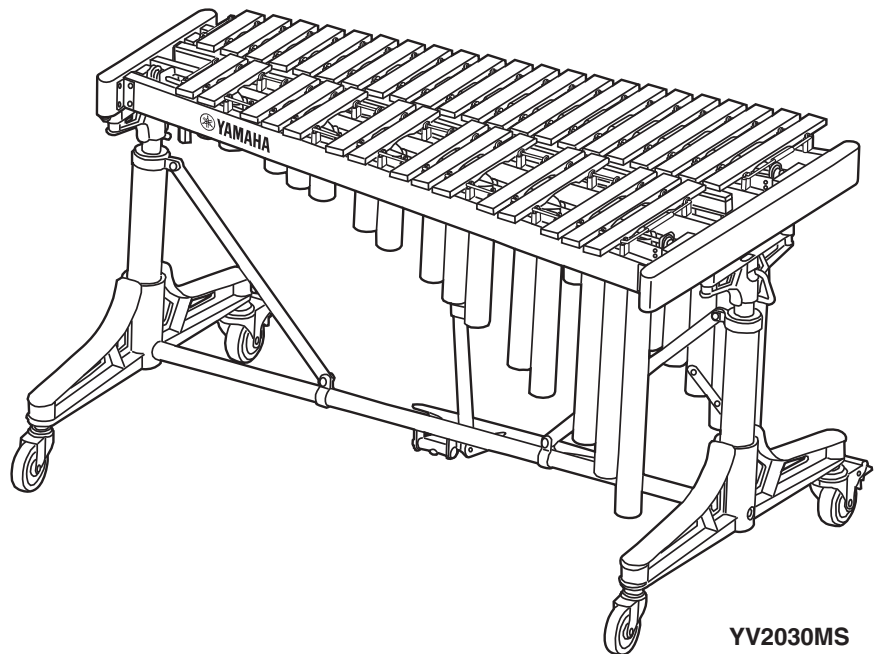


**VIBRAPHONE
YV2030MS****METALLOPHONE
YT2030MS****取扱説明書****Owner's Manual****Benutzerhandbuch****Mode d'emploi****Manual de instrucciones****Manual do Proprietário****Руководство пользователя****使用说明书****사용설명서****YV2030MS**

『安全上のご注意』（2 ページ）を必ずお読みください。

Make sure to read the "PRECAUTIONS" on page 2.

Lesen Sie unbedingt die "VORSICHTSMASSNAHMEN" auf Seite 2.

Assurez-vous de lire "PRÉCAUTIONS D'USAGE" à la page 2.

Asegúrese de leer "PRECAUCIONES" en la página 2.

Certifique-se de ler "PRECAUÇÕES" na página 2.

Обязательно прочтите разделы «ПРАВИЛА ТЕХНИКИ БЕЗОПАСНОСТИ» на стр. 2.

务请阅读第2页“注意事项”。

2 페이지의 “안전 주의사항” 을 반드시 읽어 주십시오.

PRECAUTIONS

PLEASE READ CAREFULLY BEFORE PROCEEDING

Please keep this manual in a safe and handy place for future reference.



CAUTION

Always follow the basic precautions listed below to avoid the possibility of physical injury to you or others, or damage to the instrument or other property. These precautions include, but are not limited to, the following:

Do not open

- Repairs or part replacement should not be attempted unless instructions are provided in the manual.
- Do not disassemble the gas spring. Since high-pressure gas is sealed inside the gas spring, any attempt to disassemble it is dangerous and creates a high risk of injury.

Assembly

- Assemble the instrument in the proper sequence by following the assembly instructions in this manual. Also, make sure to tighten the screws or bolts regularly. Failure to do so might result in damage to the instrument or the instrument overturning, and possibly causing injury.

Transportation and Installation

- When assembling or moving the instrument, always use two or more people. Failure to do so might result in damage to the instrument or the instrument overturning, and possibly causing injury.
- Do not place the instrument in an unstable position where it might accidentally fall over.
- Lock both left and right casters except when moving or transporting the instrument. Failure to do so might result in the instrument moving or overturning, and possibly causing injury.
- When lifting and transporting the instrument, support the side frames with two or more people.
- The instrument should only be moved across smooth, flat surfaces when using the casters. On a sloped, unstable or gravel surface, the instrument may overturn or run out of control, and possibly cause injury.
- Never run when moving or transporting the instrument using the casters. Doing so can result in the instrument running out of control, hitting an obstacle or wall and causing serious injury.
- Do not go near the instrument during an earthquake. Strong shaking during an earthquake could cause the instrument to move or tip over, resulting in damage to the instrument or its parts, and possibly causing injury.

Handling

- When the instrument rattles, makes noise or vibrates, immediately stop using it, and then tighten all screws again. Failure to do so might result in the instrument overturning, and possibly causing injury.
- (YV2030MS only) Never touch the rotating pulleys. Doing so can result in pinching your fingers, etc.
- Do not insert your hand or foot in any gaps on the casters or active part of the pedal. Doing so can result in pinching your hand or foot, and possibly cause injury.
- Do not play around the instrument. Doing so can result in bumping into the instrument, and possibly causing injury. It also may cause the instrument to overturn. Do not allow children to play around the instrument.
- Do not lean, rest your weight or place heavy objects on the instrument. Doing so can result in the instrument overturning, damage to the tone bars or frame, or causing injury to you or others.
- Do not use the mallets for anything other than playing the instrument. Doing so can result in injury or accidents. Do not allow children to use the mallets in any way that may pose a danger to themselves or others.
- Keep small parts out of the reach of infants. Your children may accidentally swallow them.

Yamaha cannot be held responsible for damage caused by improper use or modifications to the instrument.

NOTICE

To avoid the possibility of damage to the product, follow the notices below.

■ Handling

- Do not strike the tone bars with glockenspiel mallets or any other solid objects. Doing so can dent or scratch the tone bars or alter their pitch.
- Do not use the instrument in locations with poor ventilation.
- When moving the instrument, make sure that all caster stoppers are released. Lift the instrument slightly whenever moving it over surfaces that are not smooth or flat.
- When moving the instrument, move it gently avoiding shocks and impacts. The instrument is sensitive to shocks and may become damaged.
- If the instrument is often moved, screws, parts, etc., may become loose. After moving the instrument, check and make sure all screws, parts, etc., are firmly fastened. Firmly tighten all loose items.
- Do not apply excessive force to lift the frame end as it may pull the gas spring off from the leg.
- Do not expose the instrument to rain, water, excessive dust or vibrations, or extreme cold or heat (such as in direct sunlight, near a heater, or in a car during the day) to prevent the possibility of instrument disfiguration or malfunction.
- Do not place vinyl, plastic or rubber objects on the instrument, since this might discolor the instrument.

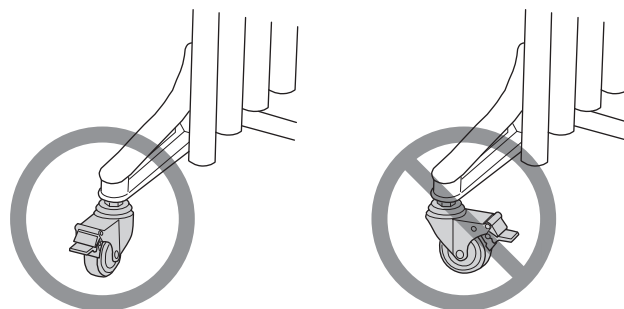
■ Maintenance

- When cleaning the tone bars, wipe with a soft and dry cloth. Stains that are still visible may be wiped using off with a small amount of ethyl alcohol applied to a soft cloth. Do not use paint thinners, solvents or a wet cloth.

INFORMATION

■ Casters

Before playing the instrument, make sure that the casters and legs are parallel. As the angle between the leg and the caster approaches at a right angle, a rattling sound is more likely to be generated from the caster when playing.



■ About this manual

- The illustrations as shown in this manual are for instructional purposes only, and may appear somewhat different from those on your instrument.
- The company names and product names in this manual are the trademarks or registered trademarks of their respective companies.

Introduction

Thank you for purchasing the Yamaha VIBRAPHONE YV2030MS or METALLOPHONE YT2030MS.

This vibraphone or metallophone, can be used in school performances or playing by hobbyists.

To get full use and performance enjoyment from this instrument, please read this owner's manual carefully before using it. After you have read the manual, keep it in a safe and handy place for future reference. The illustrations in this manual show the YV2030MS, but the information applies to the YT2030MS (except where indicated). For handling a vibraphone variable-speed driver, refer to the manual bundled with the vibraphone variable-speed driver.

Confirmation of Packing Contents

The shipping package of your YV2030MS/YT2030MS should contain the parts shown below.

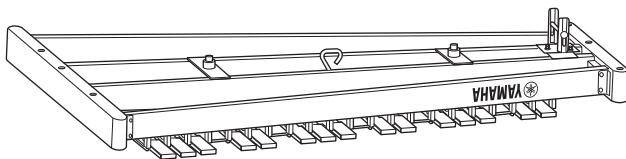
Before assembling the instrument, confirm that all parts are included as listed.

* If a part is missing, please contact your dealer or qualified Yamaha service personnel.

- ① Owner's Manual
(this document)



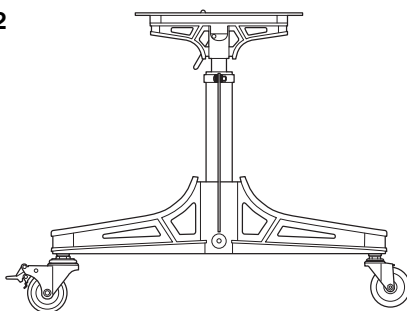
- ② Main unit × 1 (tone bars, frame, damper,
driver attachment; YV2030MS only)



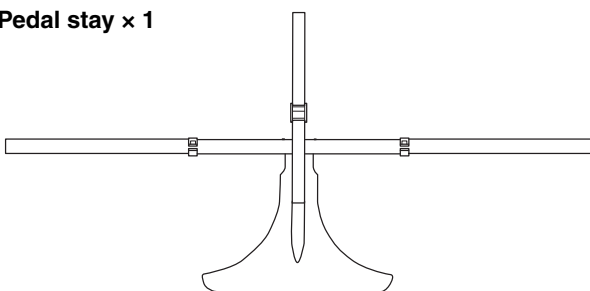
NOTE

A vibraphone variable-speed driver YVD10 (sold separately) and an AC adaptor (sold separately) are required for rotating the fans of the YV2030MS.

- ③ Legs × 2



- ④ Pedal stay × 1



- ⑤ Resonators (natural tone side) × 1



- ⑥ Resonators (accidental tone side) × 1



- ⑦ Mallet × 2

- ⑧ Drop cover × 1

- ⑨ M8 socket screw × 2, M6 socket screw × 7, cup head square neck bolt × 1, wing nut × 1 (YV2030MS)
M8 socket screw × 2, M6 socket screw × 6 (YT2030MS)

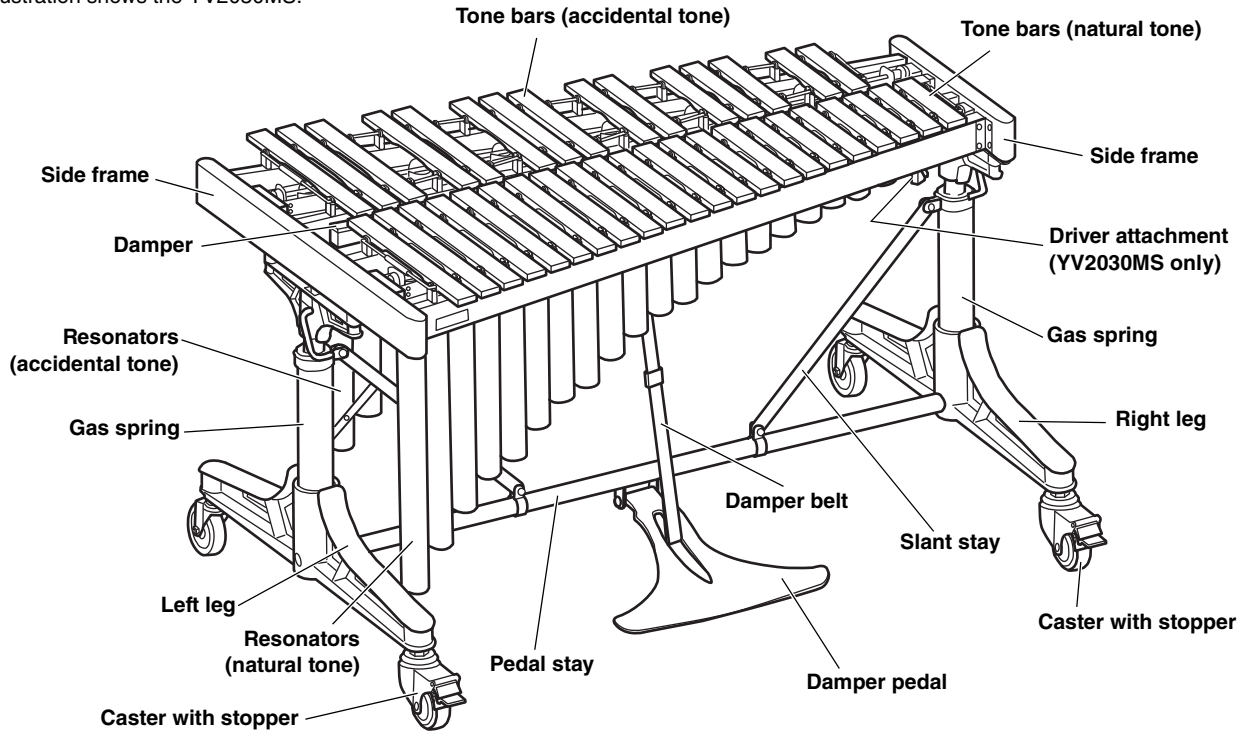
* These parts (M6 socket screw × 1, cup head square neck bolt, and wing nut) for the YV2030MS are specifically used for assembling the vibraphone variable-speed driver YVD10 (sold separately). Be careful not to lose them.

- ⑩ Hex key × 1

- ⑪ Yamaha representative or the authorized distributor list x1

Part Names

The illustration shows the YV2030MS.



Assembly

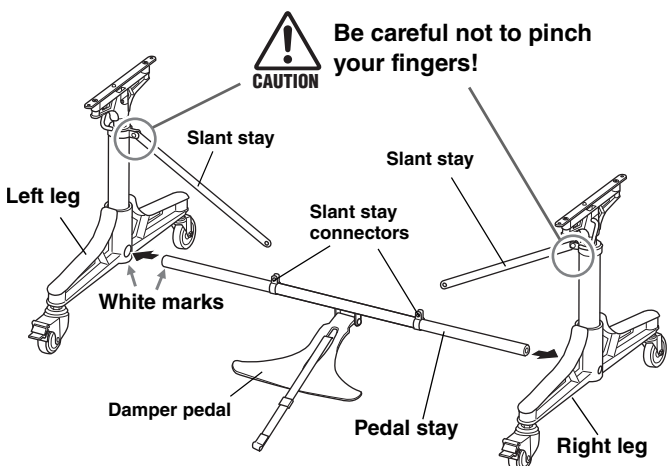


When assembling the instrument, always use two or more people.

Assemble the instrument in a place where there is sufficient room.

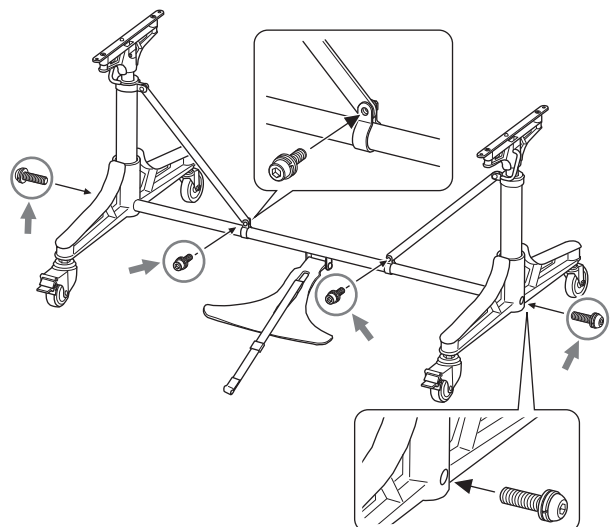
1. Align the white marks on the left leg and pedal stay, and then connect the left leg, pedal stay and right leg.

In this step, also turn the slant stay connectors upward and the damper pedal towards to you.



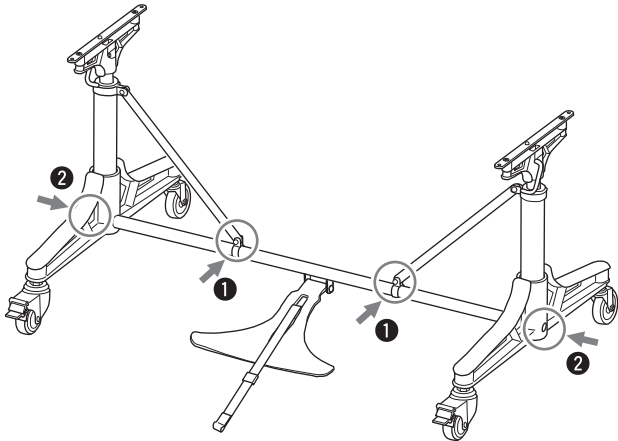
2. Temporarily fix the four screws with included hex key.

Use the larger screws to secure the pedal stay.



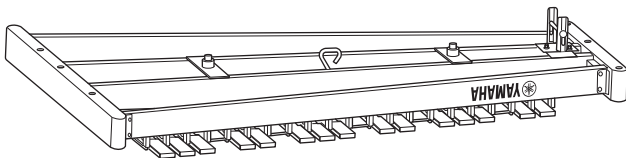
Assembly

3. Tighten the screws in the order of ❶ slant stays and ❷ pedal stay.



4. Set the main unit upside down.

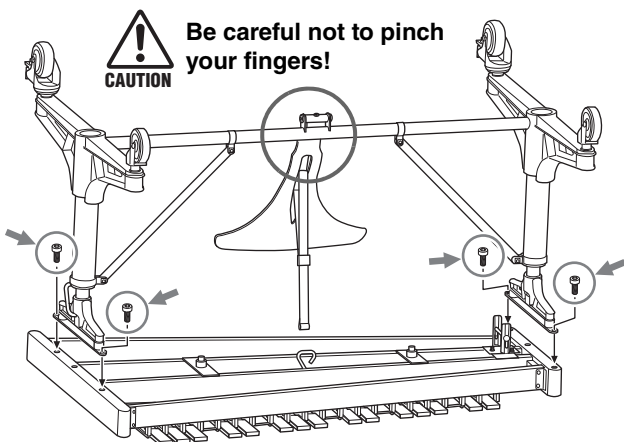
To prevent damage to the floor and the main unit, leave the main unit in the shipping package, or place a carpet or a soft cloth on the floor where the main unit will be placed.



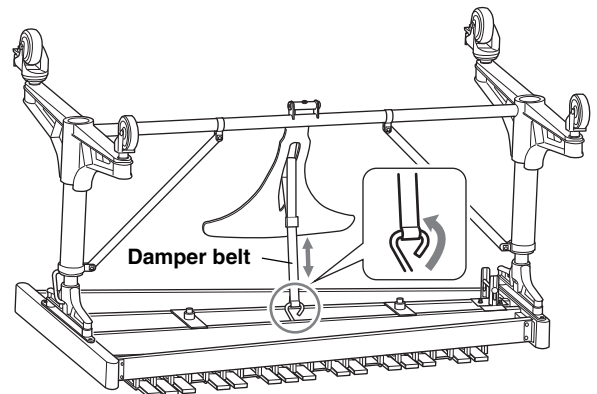
5. Turn the leg assembly upside down, put it on the main unit, and then secure it with the four screws.

NOTE

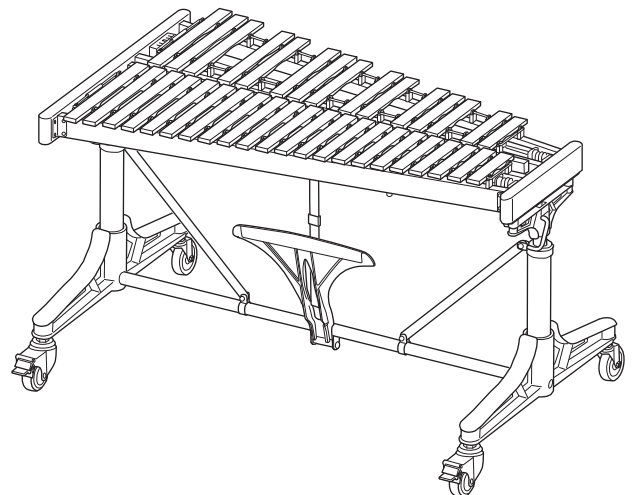
If the direction of legs and main unit is not correct, the location pins and holes may be misaligned, and may not be assembled properly.



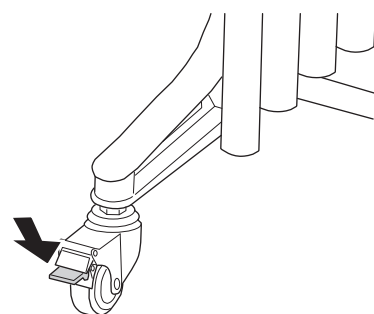
6. To prevent the pedal from moving uncontrollably, secure the damper by hooking the damper belt tip to the hook of the main unit.



7. Stand the instrument upright while being careful to avoid overturning or falling of instrument.



8. Lock the casters by pressing the stoppers of the left and right casters.



9. Lower the damper pedal.

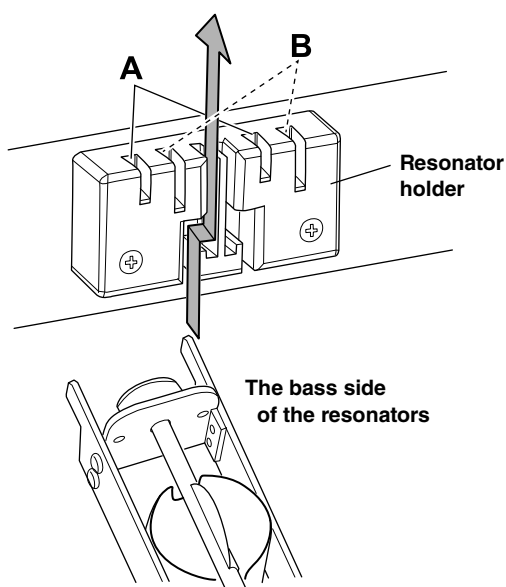
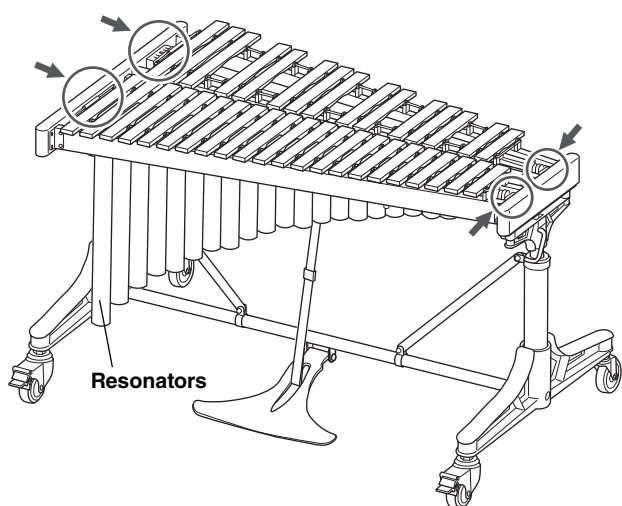
Unbuckle the damper belt to avoid excessive tension to the belt when raising the position of the instrument height in step 11.

10. Insert the resonators into the grooves of the side frame at the treble side.

When attaching the bass side of resonators, pass the edge of the resonators through the grooves in the middle of resonator holders from below. If the temperature is 23°C or more, use the shallow grooves **A**; or if the temperature is below 23°C, use the deeper grooves **B**, to get optimal resonance.

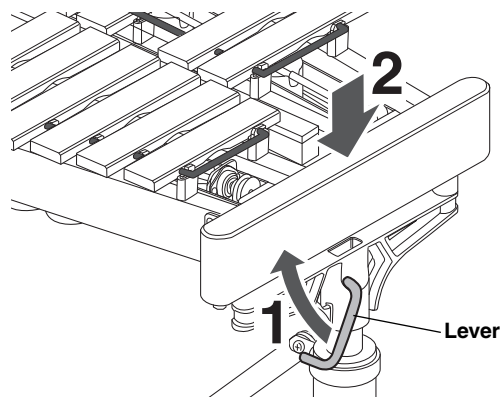
NOTE

- Due to the structure of the instrument, the resonators (both natural tone and accidental tone) can only be installed in the correct position.



11. Adjust the instrument height.

Pulling up the lever on the left and right leg raises the height away from the floor, while pressing the instrument strongly from above while pulling up the lever lowers it toward the floor. When you release the lever, the instrument height is fixed at that height.

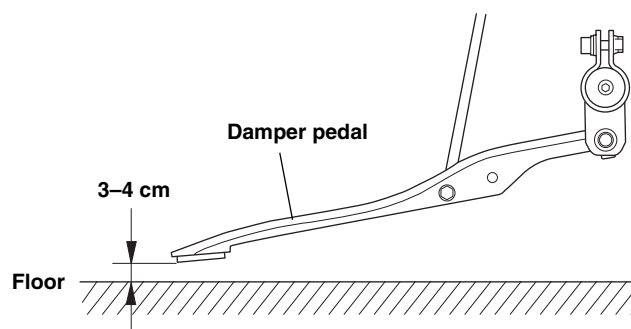


NOTE

- The legs have a scale that serves as a guide for adjusting the height.
- We recommend that you lower the height slightly more than you intend, and then make minor adjustments while raising it little by little.
- Adjust the left and right height at the same time to keep the level of the tone bars.
- Grease is applied to the cylinders of the legs to change the instrument height smoothly. If grease sticks to your hand, rinse it with running water.
- Unbuckle the damper belt when you re-adjust the instrument height.

12. Adjust the depth of the pedal pressing.

Unbuckle the damper belt, adjust the position of the pedal, and then fix it by buckling the belt.



13. Make sure that all screws on each part are tightened securely.

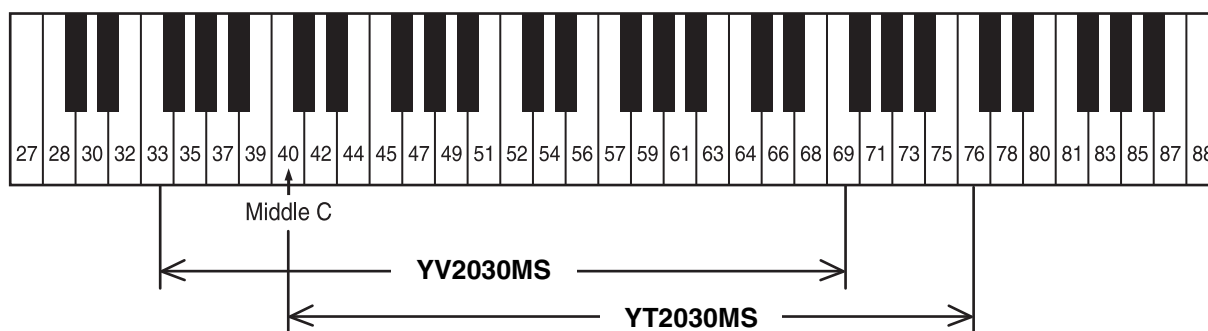
The assembly is now complete.

Specifications

Range	YV2030MS: 3 octaves; F33–F69 YT2030MS: 3 octaves; C40–C76
Bars	Aluminum alloy
Height Adjustable	From 66 cm to 85 cm
Dimensions (WxD)	110 cm x 74 cm
Weight	YV2030MS: 31 kg YT2030MS: 28 kg
Included Accessories	Drop cover, mallets (ME-303), hex key
Separately Sold Accessories	Vibraphone variable-speed driver (YVD10)

* The contents of this manual apply to the latest specifications as of the publishing date. To obtain the latest manual, access the Yamaha website and then download the manual file. Since specifications, equipment or separately sold accessories may not be the same in every locale, please check with your Yamaha dealer.

● Comparison with piano keyboard



MEMO



雅马哈乐器音响（中国）投资有限公司

上海市静安区新闻路1818号云和大厦2楼

客户服务热线：4000517700

公司网址：<http://www.yamaha.com.cn>

制造商：雅马哈株式会社

制造商地址：日本静冈县滨松市中区中泽町10-1

进口商：雅马哈乐器音响（中国）投资有限公司

进口商地址：上海市静安区新闻路1818号云和大厦2楼

原产地：日本

Manual Development Group
©2019 Yamaha Corporation
Published 3/2021
2021年3月发行
POTO-B0

VAX4970