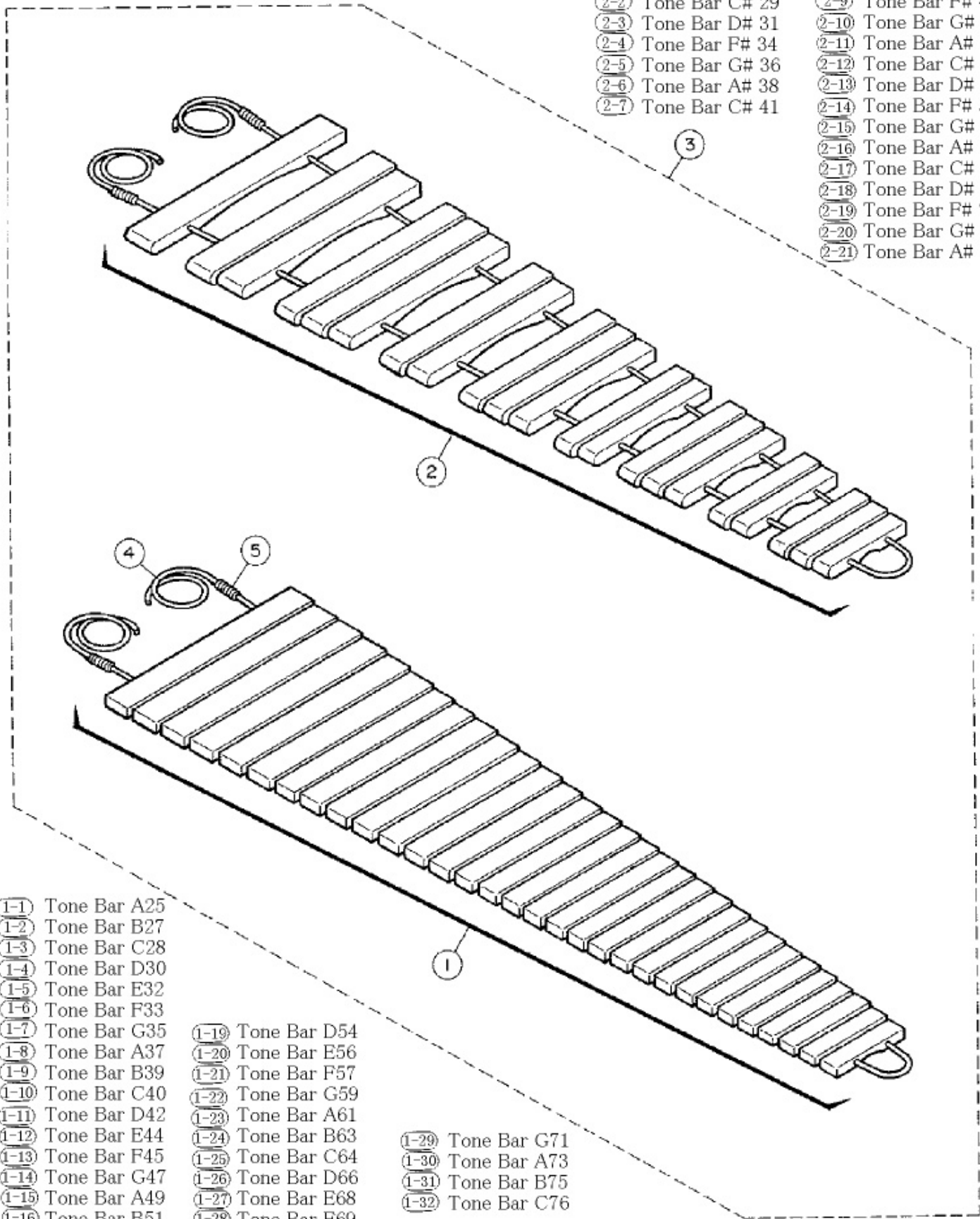
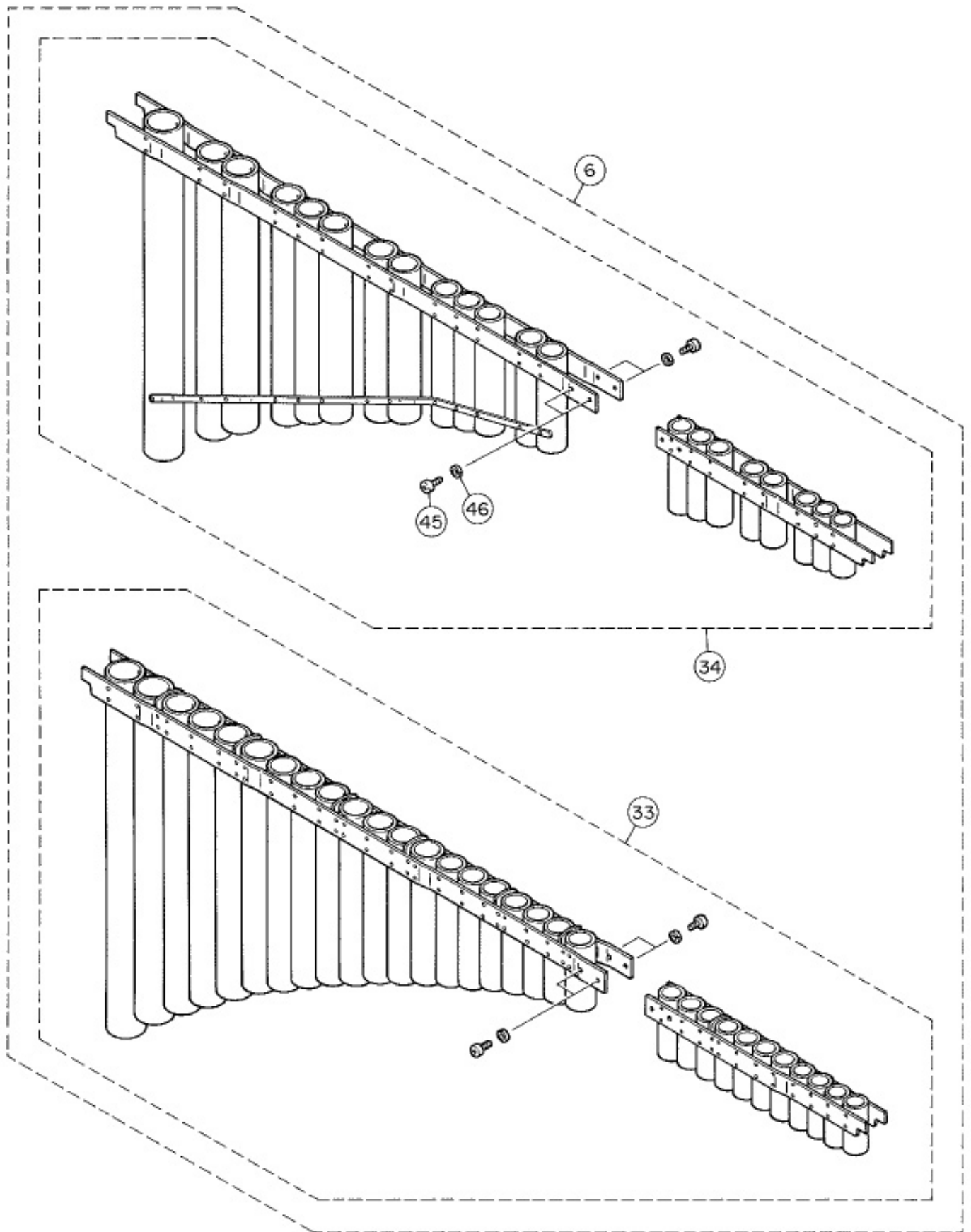


- (2-1) Tone Bar A# 26
- (2-2) Tone Bar C# 29
- (2-3) Tone Bar D# 31
- (2-4) Tone Bar F# 34
- (2-5) Tone Bar G# 36
- (2-6) Tone Bar A# 38
- (2-7) Tone Bar C# 41
- (2-8) Tone Bar D# 43
- (2-9) Tone Bar F# 46
- (2-10) Tone Bar G# 48
- (2-11) Tone Bar A# 50
- (2-12) Tone Bar C# 53
- (2-13) Tone Bar D# 55
- (2-14) Tone Bar F# 58
- (2-15) Tone Bar G# 60
- (2-16) Tone Bar A# 62
- (2-17) Tone Bar C# 65
- (2-18) Tone Bar D# 67
- (2-19) Tone Bar F# 70
- (2-20) Tone Bar G# 72
- (2-21) Tone Bar A# 74

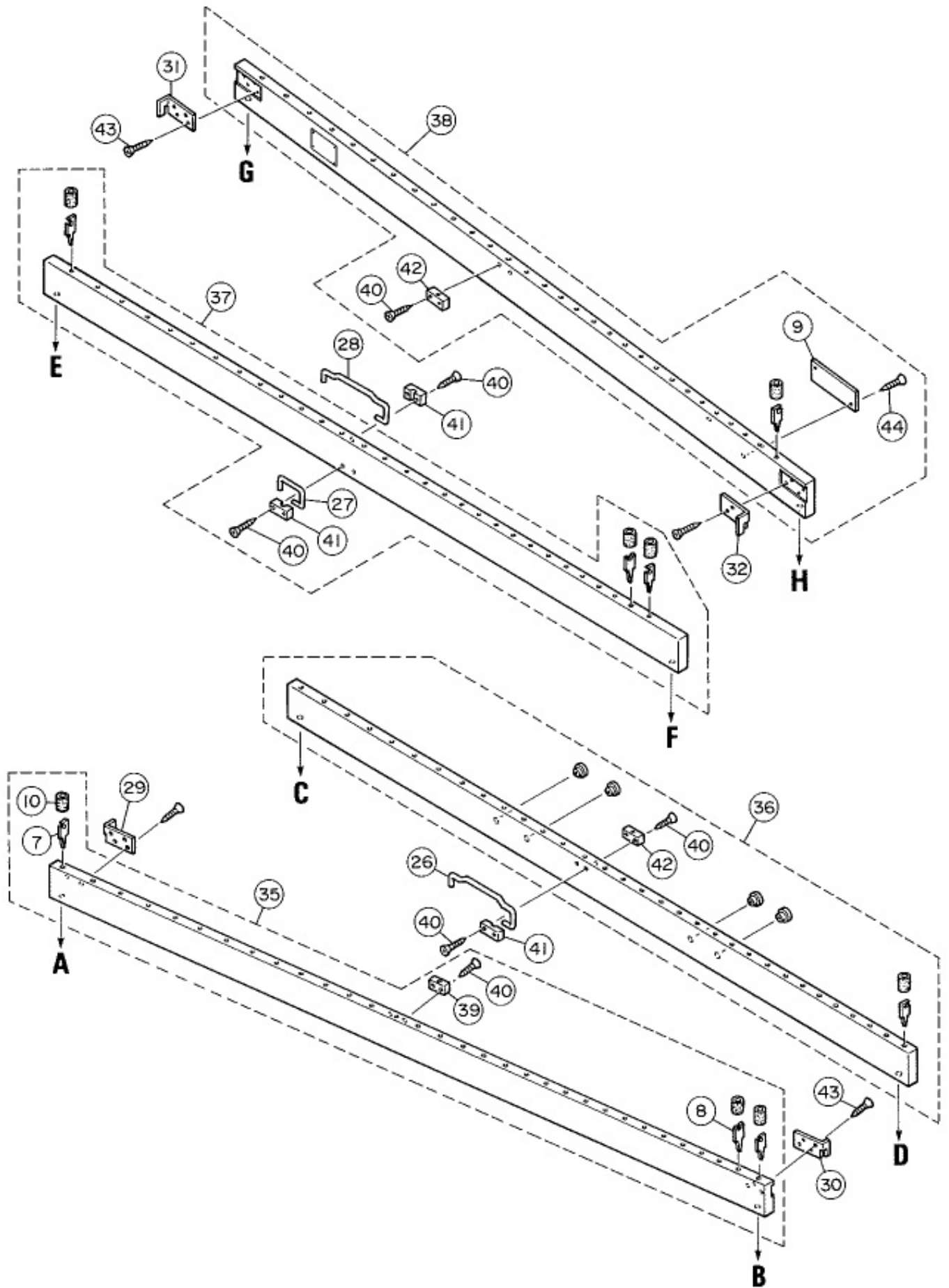


- (1-1) Tone Bar A25
- (1-2) Tone Bar B27
- (1-3) Tone Bar C28
- (1-4) Tone Bar D30
- (1-5) Tone Bar E32
- (1-6) Tone Bar F33
- (1-7) Tone Bar G35
- (1-8) Tone Bar A37
- (1-9) Tone Bar B39
- (1-10) Tone Bar C40
- (1-11) Tone Bar D42
- (1-12) Tone Bar E44
- (1-13) Tone Bar F45
- (1-14) Tone Bar G47
- (1-15) Tone Bar A49
- (1-16) Tone Bar B51
- (1-18) Tone Bar C52
- (1-19) Tone Bar D54
- (1-20) Tone Bar E56
- (1-21) Tone Bar F57
- (1-22) Tone Bar G59
- (1-23) Tone Bar A61
- (1-24) Tone Bar B63
- (1-25) Tone Bar C64
- (1-26) Tone Bar D66
- (1-27) Tone Bar E68
- (1-28) Tone Bar F69
- (1-29) Tone Bar G71
- (1-30) Tone Bar A73
- (1-31) Tone Bar B75
- (1-32) Tone Bar C76

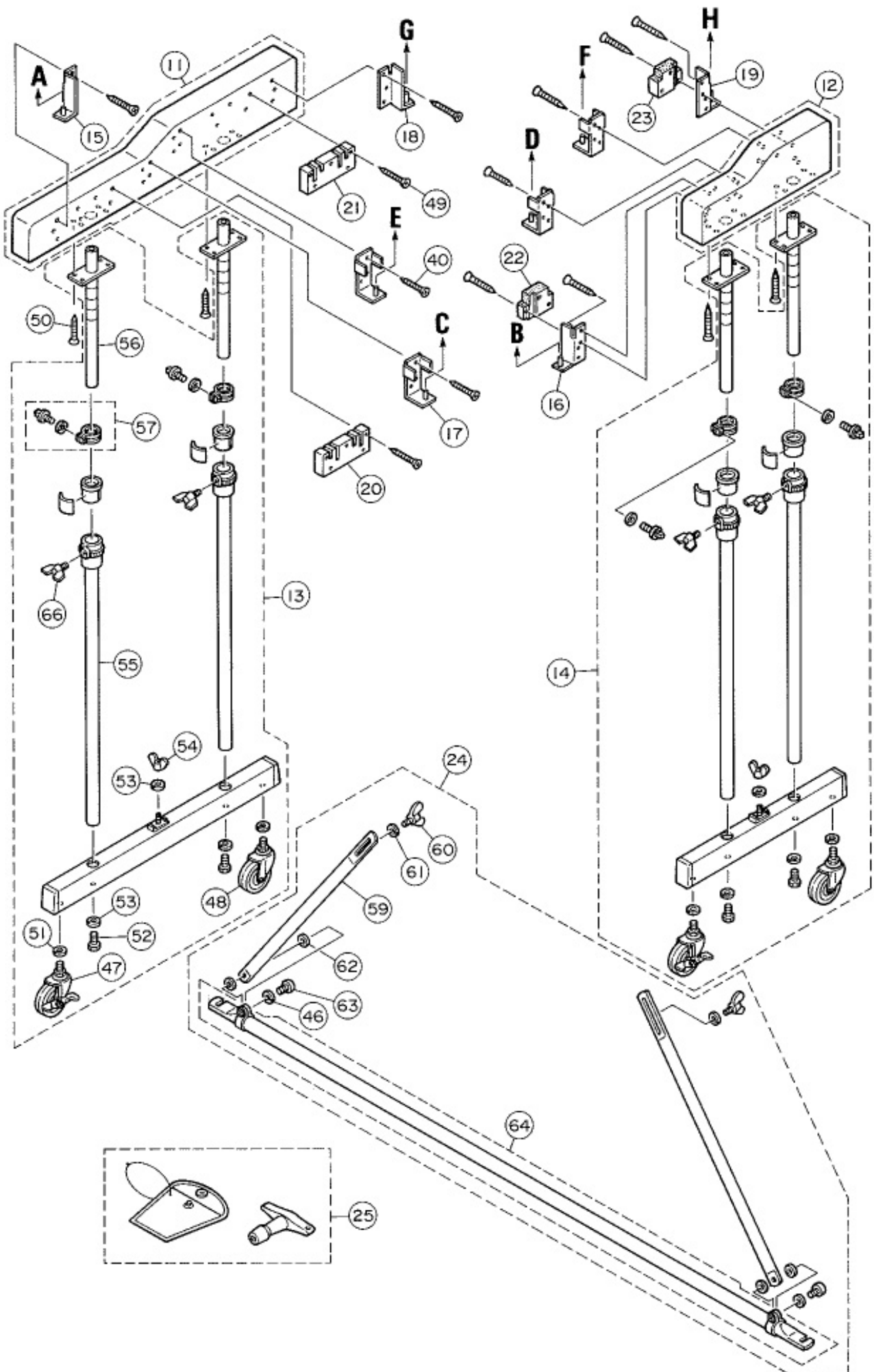
Model Name : YM-1430



Model Name : YM-1430



Model Name : YM-1430



Model Name : YM-1430

Ref No.	Parts No.(ChangeNo.)	English Name	Minimum Delivery	Accept order or not
1	W5073150	TONE BAR ASS'Y (NATURAL) YM1430	1 PC	
1-1	W5073160	TONE BAR 25K A YM-1430	1 PC	
1-10	W5021081	TONE BAR 40K C YM35G	1 PC	
1-11	W5021091	TONE BAR 42K D YM35G	1 PC	
1-12	W5021101	TONE BAR 44K E YM35G	1 PC	
1-13	W5021111	TONE BAR 45K F YM35D ,E ,YM35G	1 PC	
1-14	W5021121	TONE BAR 47K G YM35G	1 PC	
1-15	W5021131	TONE BAR 49K A YM35G	1 PC	
1-16	W5021141	TONE BAR 51K B YM35G	1 PC	
1-18	W5021151	TONE BAR 52K C YM35G	1 PC	
1-19	W5021161	TONE BAR 54K D YM35G	1 PC	
1-2	W5073170	TONE BAR 27K BYM-1430	1 PC	
1-20	W5021171	TONE BAR 56K E YM35D ,E ,YM35G	1 PC	
1-21	W5021181	TONE BAR 57K F YM35G	1 PC	
1-22	W5021191	TONE BAR 59K G YM35G	1 PC	
1-23	W5021200	TONE BAR 61K A YM35D .E	1 PC	
1-24	W5021211	TONE BAR 63K B YM35G	1 PC	
1-25	W5021221	TONE BAR 64K C YM35G	1 PC	
1-26	W5021231	TONE BAR 66K D YM35G	1 PC	
1-27	W5021241	TONE BAR 68K E YM35G	1 PC	
1-28	W5021251	TONE BAR 69K F YM35G	1 PC	
1-29	W5073180	TONE BAR 71K GYM-1430	1 PC	
1-3	W5021011	TONE BAR 28K C YM35D ,E ,YM35G	1 PC	
1-30	W5073190	TONE BAR 73K A YM-1430	1 PC	
1-31	W5073200	TONE BAR 75K BYM-1430	1 PC	
1-32	W5073210	TONE BAR 76K C YM-1430	1 PC	
1-4	W5021021	TONE BAR 30K D YM35G	1 PC	
1-5	W5021031	TONE BAR 32K E YM35D ,E ,YM35G	1 PC	
1-6	W5021041	TONE BAR 33K F YM35G	1 PC	
1-7	W5021051	TONE BAR 35K G YM35G	1 PC	
1-8	W5021061	TONE BAR 37K A YM35G	1 PC	
1-9	W5021071	TONE BAR 39K B YM35G	1 PC	
10	W5130700	RUBBER INSULATOR 9.7X11 YX300.35.30	10 PCS	
11	W5073310	FLAME END (LOW TONE END) YM-1430	1 PC	
12	W5073320	FLAME END(HIGH TONE END) YM-1430	1 PC	
13	W5073330	LEG ASS'Y (LOW TONE END) YM-1430	1 PC	
14	W5073340	LEG ASS'Y(HIGH TONE END) YM-1430	1 PC	
15	W5022000	RAIL JOINT HOLDER NO.1 YM350	1 PC	ORDER STOP
16	W5073350	RAIL JOINT HOLDER NO.1(H) YM-1430	1 PC	
17	W5022030	RAIL JOINT HOLDER NO.2 YM350	1 PC	ORDER STOP

Model Name : YM-1430

Ref No.	Parts No.(ChangeNo.)	English Name	Minimum Delivery	Accept order or not
18	W5073360	RAIL JOINT HOLDER NO.4(L) YM-1430	1 PC	
19	W5073370	RAIL JOINT HOLDER NO.4(H) YM-1430	1 PC	
2	W5073220	TONE BAR ASS'Y(ACCIDENTAL) YM-1430	1 PC	
2-1	W5073230	TONE BAR A#26 YM-1430	1 PC	
2-10	W5071091	TONE BAR G# 48 YM35G	1 PC	
2-11	W5071101	TONE BAR A#50 YM-35G	1 PC	
2-12	W5071111	TONE BAR C#53 YM-35G	1 PC	
2-13	W5071121	TONE BAR D#55 YM-35G	1 PC	
2-14	W5071131	TONE BAR F#58 YM-35G	1 PC	
2-15	W5071141	TONE BAR 60K G# YM35G	1 PC	
2-16	W5071151	TONE BAR A#62 YM-35G	1 PC	
2-17	W5071161	TONE BAR C#65 YM-35G	1 PC	
2-18	W5071171	TONE BAR D#67 YM-35G	1 PC	
2-19	W5073240	TONE BAR F#70 YM-1430	1 PC	
2-2	W5071011	TONE BAR C#29 YM-35G	1 PC	
2-20	W5073250	TONE BAR G#72 YM-1430	1 PC	
2-21	W5073260	TONE BAR A#74 YM-1430	1 PC	
2-3	W5071021	TONE BAR D#31 YM-35G	1 PC	
2-4	W5071031	TONE BAR F#34 YM-35G	1 PC	
2-5	W5071041	TONE BAR G#36 YM-35G	1 PC	
2-6	W5071051	TONE BAR A#38 YM-35G	1 PC	
2-7	W5071061	TONE BAR C#41 YM-35G	1 PC	
2-8	W5071071	TONE BAR 43K D# YM35G	1 PC	
2-9	W5071081	TONE BAR F# 46 YM35G	1 PC	
20	W5073380	RESONATOR HOLDER(NATURAL LOW TONE END)YM	1 PC	
21	W5073390	RESONATOR HOLDER(ACCIDENTAL) YM-1430	1 PC	
22	W5073400	RESONATOR HOLDER(NATURAL) YM-1430	1 PC	
23	W5073410	RESONATOR HOLDER (ACCIDENTAL) YM-1430	1 PC	
24	W5073420	LEG PIPE ASS'Y YM-1430	1 PC	
25	W5073430	KEY CASE ASS'Y YM-1430	1 PC	
26	W5073440	RAIL CRAMP(FRONT) YM-1430	1 PC	
27	W5073450	RAIL CRAMP(CENTER) YM-1430	1 PC	
28	W5141720	RAIL CLAMP (FRONT,REAR) YM380	1 PC	ORDER STOP
29	W5021840	RAIL HOLDER NO.1 (L) YM350	1 PC	ORDER STOP
3	W5073270	TONE BAR ASS'Y(NATURAL,ACCIDENTAL)YM1430	1 PC	ORDER STOP
30	W5021880	RAIL HOLDER NO.1 (H) YM350	1 PC	ORDER STOP
31	W5021890	RAIL HOLDER NO.4 (L) YM350	1 PC	ORDER STOP
32	W5073460	RAIL HOLDER NO.4H(HIGH TONE END)YM-1430	1 PC	
33	W5073470	NATURAL TONE RESONATORS ASS'Y YM1430	1 PC	
34	W5073480	ACCIDENTAL TONERESONATORS ASS'Y YM-1430	1 PC	

Model Name : YM-1430

Ref No.	Parts No.(ChangeNo.)	English Name	Minimum Delivery	Accept order or not
35	W5073490	RAIL NO.1 ASS'Y YM-1430	1 PC	
36	W5073500	RAIL NO.2 ASS'Y YM-1430	1 PC	
37	W5073510	RAIL NO.3 ASS'Y YM-1430	1 PC	
38	W5073520	RAIL NO.4 ASS'Y YM-1430	1 PC	
39	W5073530	CLAMP MOUNT YM-1430	1 PC	
4	W5073280	TONE BAR SUSPENSION CORD(BRIDED VINYLON)	1 PC	
40	EP335256	FLAT HEAD WOOD SCREW 3.5X25	1 PACK(6PC/PACK)	
41	W5141740	CRAMP BLOCK YM1430	1 PC	Discont inu ed.
42	W5141750	CRAMP MOUNT YM1430	1 PC	
43	EQ035206	ROUND HEAD WOOD SCREW 3.5X20	1 PACK(6PC/PACK)	
45	EA060166	PAN HEAD SCREW 6.0X16	1 PACK(6PC/PACK)	
46	W5127740	SPLIT WASHER M6(BLACK) YX360	1 PC	
47	W5065590	CASTER L65(WITHBRAKE) YX-135, YM-1430	1 PC	
48	W5141051	CASTER 65 YM35E,G	1 PC	
49	EP345406	RESONATOR ADJUSTER MOUNTING SCREW(1)	1 PACK(6PC/PACK)	
5	W5110010	CODE TENSION SPRING (L) YT,YV	1 PC.	
50	W5111710	FLAT HEAD WOOD SCREW(ST) M4.1X25 YM-4600	1 PC	
51	W5073540	SPRING WASHER YM-1430	1 PC	
52	W5022130	MOUNTING BOLT M8*23 YM350	1 PC	
53	EV303806	SPRING WASHER M8 YX30E	1 BAG	
54	W5131010	LEG STAY HOLDING WING NUT YX35D.E	1 PC	
55	W5073550	LEG PIPE YM-1430	1 PC	
56	W5073560	LEG PIPE ASS'Y YM-1430	1 PC	
57	W5021980	POSITION CLAMP COMPLETE YM-350	1 PC	ORDER STOP
59	W5073570	LEG STAY YM-1430	1 PC	
6	W5073290	TONE RESONATORSASS'Y YM-1430	1 PC	
60	W5022140	WING BOLT M8*P1.25 YM350	1 PC	
61	EV303806	SPRING WASHER M8 YX30E	1 BAG	
62	W5261050	Bushing	PC	
63	EA360206	PAN HEAD SCREW (ST)6.0X20	1 BAG	
64	W5073580	BASE SUPPORT TUBE YM-1430	1 PC	
66	W5127690	WING BOLT(1) YX360 (BLACK)	1 PC	
7	W5130480	TONE BAR SUSPENSION POST I YX25	1 PC	
8	W5130470	TONE BAR SUSPENSION POST H YM400C	1 PC	
9	W5073300	NAME PLATE YM-1430	1 PC	