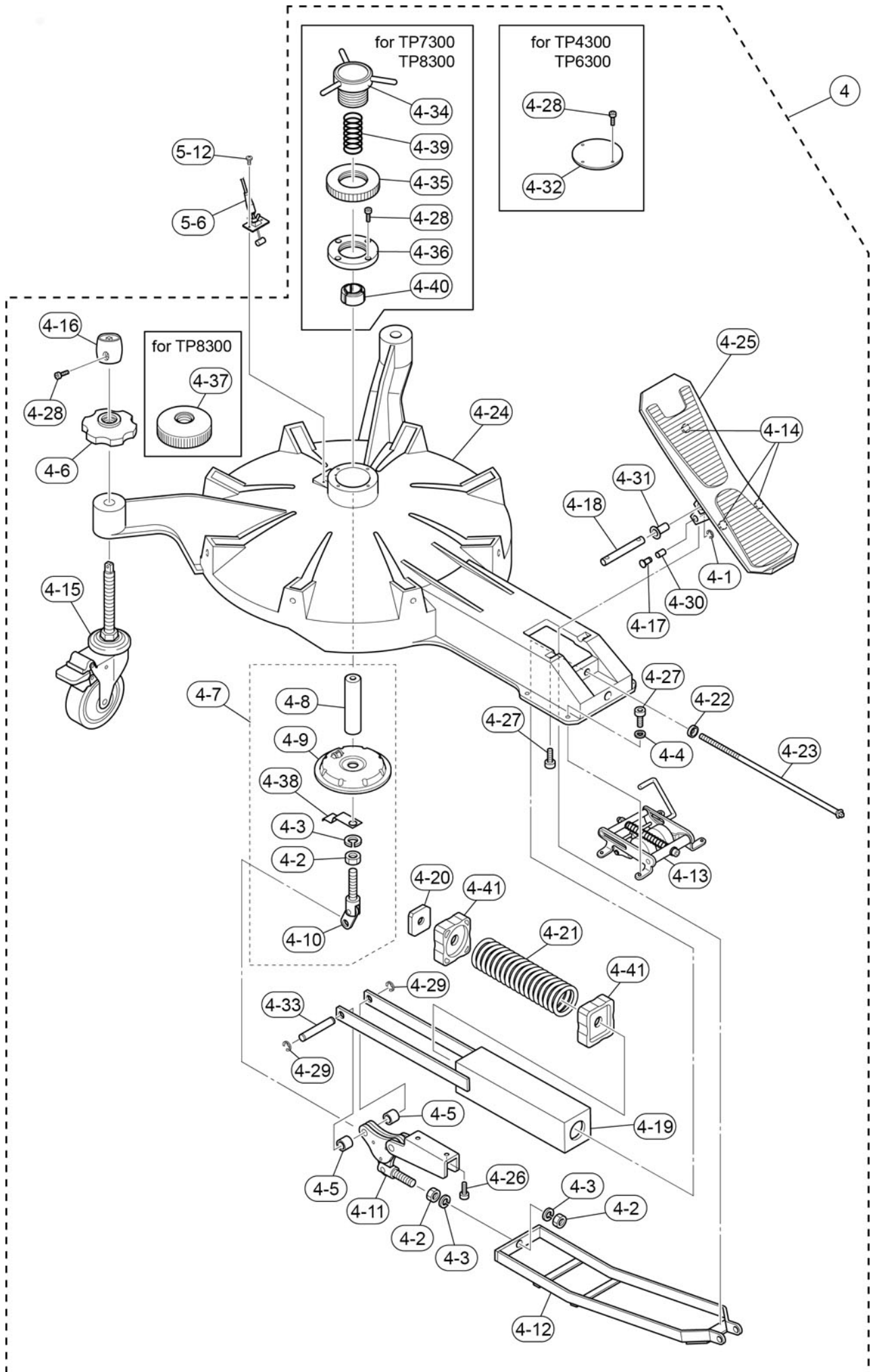


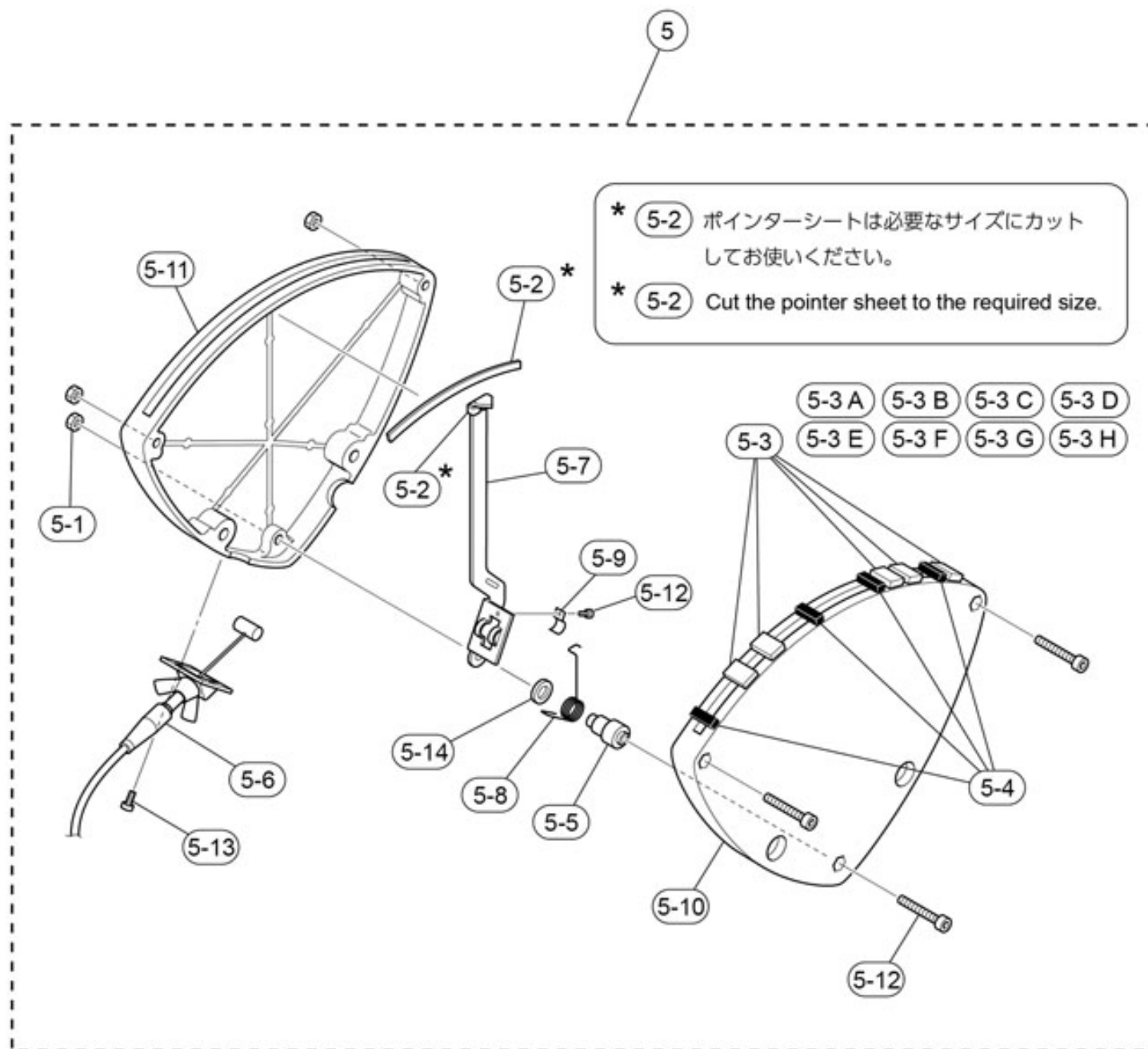
27

ヘッドカバー
Head Cover

* 21 リングシートは1本約1mです。
ティンパニのサイズ毎に以下の本数
が必要です。
・20", 23": 2本 ・24" - 32": 3本

* 21 Each ring sheet is about 1
meter in length. The number of
rings required for each size of
timpani is as follows.
・20", 23": x2 ・24" - 32": x3





ティンパニー R モデル別 ノート使用数

| パーツNO | 名称 | TP4323R | TP4326R | TP4329R | TP4332R | TP6320R | TP6323R | TP6326R | TP6329R | TP6332R |
|-----------|-------|---------|---------|---------|---------|---------|---------|---------|---------|---------|
| ZT 805100 | ノートFA | 0 | 1 | 1 | 1 | 1 | 0 | 1 | 1 | 1 |
| ZT 805200 | ノートFB | 0 | 1 | 1 | 0 | 1 | 0 | 1 | 1 | 0 |
| ZT 805300 | ノートFC | 1 | 1 | 1 | 0 | 1 | 1 | 1 | 1 | 0 |
| ZT 805400 | ノートFD | 1 | 1 | 0 | 1 | 0 | 1 | 1 | 0 | 1 |
| ZT 805500 | ノートFE | 1 | 1 | 0 | 1 | 1 | 1 | 1 | 0 | 1 |
| ZT 805600 | ノートFF | 1 | 1 | 1 | 1 | 1 | 1 | 1 | 1 | 1 |
| ZT 805700 | ノートFG | 1 | 0 | 1 | 1 | 1 | 1 | 0 | 1 | 1 |
| ZT 805900 | ノートF# | 4 | 3 | 4 | 4 | 3 | 4 | 3 | 4 | 4 |

| パーツNO | 名称 | TP7320R | TP7323R | TP7326R | TP7329R | TP7332R | TP8320R | TP8323R | TP8324R | TP8326R | TP8327R | TP8329R | TP8332R |
|-----------|-------|---------|---------|---------|---------|---------|---------|---------|---------|---------|---------|---------|---------|
| ZT 805100 | ノートFA | 1 | 0 | 1 | 1 | 1 | 1 | 0 | 0 | 1 | 1 | 1 | 1 |
| ZT 805200 | ノートFB | 1 | 0 | 1 | 1 | 0 | 1 | 0 | 1 | 1 | 1 | 1 | 0 |
| ZT 805300 | ノートFC | 1 | 1 | 1 | 1 | 0 | 1 | 1 | 1 | 1 | 1 | 1 | 0 |
| ZT 805400 | ノートFD | 0 | 1 | 1 | 0 | 1 | 0 | 1 | 1 | 1 | 1 | 0 | 1 |
| ZT 805500 | ノートFE | 1 | 1 | 1 | 0 | 1 | 1 | 1 | 1 | 1 | 1 | 0 | 1 |
| ZT 805600 | ノートFF | 1 | 1 | 1 | 1 | 1 | 1 | 1 | 1 | 1 | 0 | 1 | 1 |
| ZT 805700 | ノートFG | 1 | 1 | 0 | 1 | 1 | 1 | 1 | 1 | 0 | 0 | 1 | 1 |
| ZT 805900 | ノートF# | 3 | 4 | 3 | 4 | 4 | 3 | 4 | 3 | 3 | 4 | 4 | 4 |

Model Name : TP-8326R

| Ref No. | Parts No.(ChangeNo.) | English Name | Minimum Delivery | Accept order or not |
|---------|----------------------|---------------------------------------|------------------|---------------------|
| 1 | ZF111300 | HOOP ASSY K8-26 | 1 PC | |
| 10 | ZY235400 | WIRE CRUMP K L25mm SP | 1 PC | |
| 12 | ZF184300 | BOLT 8 M8X25 MFZN2B3 | 1 PC | |
| 14 | WE950300 | SCREW MACHINE +FLAT 6.0X25 MFZN2W3 | 1 PC | |
| 15 | WE950400 | SCREW MACHINE +FLAT 6.0X30 MFZN2W3 | 1 PC | |
| 16 | ZF186200 | DOMED CAP NUT 6 | 1 PC | |
| 17 | WF556300 | SPRING WASHER 4.0 MFZN2B3 KP125 | 1 PC | |
| 18 | ZF185100 | BOLT 6.0X35 MFZN2B3 | ST | |
| 19 | WF723600 | PLAIN WASHER SMALL 6X11.5X0.8 MFZN2W3 | 1 PC | |
| 2 | ZF115900 | SUSPENSION RING K8-26 | 1 PC | |
| 20 | ZP345800 | FELT SHEET 35X14X4 | 1 PC | |
| 21 | ZT852800 | RING SHEET R 12X970X0.48 | 1 PC | |
| 23 | ZT798800 | KEY CRIP KR | 1 PC | |
| 24 | WH917400 | WRENCH 5MM TP-43/63/73 | 1 PC | |
| 25 | W1005100 | TUNING KEY | 1 PC | Discontinued. |
| 26 | ZS825700 | BOLT 6.0X10 MFZN2B3 | 1 PC | |
| 27 | W6695260 | TIMPANI HEAD COVER 26" TP6026,4026 | 1 PC | |
| 28 | 22971700 | Cohesion tape | ST | ORDER STOP |
| 3 | ZF111900 | FRAME ASSY K8 | 1 PC | Discontinued. |
| 3-1 | ZF113400 | TNJ ASSY | 1 PC | |
| 3-10 | ZF184200 | MACHINE SCREW OVAL 4.0X30 MFZNB3 | 1 PC | Discontinued. |
| 3-2 | ZF113500 | TSJ ASSY | 1 PC | |
| 3-3 | ZF121300 | TNJAXIS K | 1 PC | |
| 3-4 | ZF121600 | TSJAXIS K | 1 PC | |
| 3-6 | ZF126500 | FRAME K | 1 PC | |
| 3-7 | ZH232100 | SPACER T5 | 1 PC | |
| 3-8 | ZH232300 | SPACER T2 | 1 PC | |
| 3-9 | ZF121800 | TUNING ROD K8 | 1 PC | |
| 4 | ZT798300 | BASE ASSY K8H R | ST | |
| 4-1 | WF245101 | E RING 4.0 MFZN2W3 | PC | |
| 4-10 | ZK806900 | CENTER LINK ASSY K | 1 PC | |
| 4-11 | ZF112400 | CT LINK ASSY | 1 PC | |
| 4-12 | ZF112700 | PEDAL LINK ASSY K8 | 1 PC | |
| 4-13 | ZT791000 | PEDAL CASTER R ASSY | 1 PC | |
| 4-14 | ZF115000 | BANPON TM166-03 | 1 PC | |
| 4-15 | ZT806500 | CASTER 916EA-UZ100 L120 | 1 PC | |
| 4-16 | ZT798900 | BOLT CAP | 1 PC | |
| 4-17 | ZW762000 | PEDAL ROD R | PC. | |
| 4-18 | ZF123600 | PEDAL AXIS K | 1 PC | |
| 4-19 | ZF123800 | SPRING CASE K8 | 1 PC | |

Model Name : TP-8326R

| Ref No. | Parts No.(ChangeNo.) | English Name | Minimum Delivery | Accept order or not |
|---------|----------------------|-------------------------------------|------------------|---------------------|
| 4-2 | WF557400 | NUT HEX M8 #1 | 1 PC | |
| 4-21 | ZX376000 | SPRING 52-30150 | 1 PC | |
| 4-22 | ZF124200 | COLLAR K | 1 PC | |
| 4-23 | ZF124300 | SPRING BOLT | 1 PC | |
| 4-24 | ZF126700 | BASE K8 | 1 PC | |
| 4-25 | ZF126800 | PEDAL K | 1 PC | |
| 4-26 | ZF184600 | BOLT 6.0X15 MFZN2W3 | 1 PC | |
| 4-27 | ZF184800 | BOLT 5.0X12 MFZN2B3 | 1 PC | |
| 4-28 | ZF184900 | BOLT 4.0X12 MFZN2B3 | 1 PC | |
| 4-29 | ZF187000 | E RING 6.0 SUS | 1 PC | |
| 4-3 | WF628200 | WASHER SPRING #2 8.0 MFZN2W3 | 1 PC | |
| 4-31 | ZH157500 | BUSH HPF-1010 | 1 PC | |
| 4-33 | ZJ547100 | SPRING SHAFT K | 1 PC | |
| 4-34 | ZF124400 | PAC KNOB | 1 PC | |
| 4-35 | ZF124500 | PAC LOCK | 1 PC | |
| 4-36 | ZF124600 | PAC NUT | 1 PC | |
| 4-37 | ZM223400 | CASTER LOCK 8300 | 1 PC | |
| 4-38 | ZT854800 | END SPRING SR | 1 PC | |
| 4-39 | ZF115100 | PAC SPRING SAMINI NO.11-2821 | 1 ST | |
| 4-4 | WG634300 | FLAT WASHER M5.0X10X1 MFZN2B3 KP125 | 1 PC | |
| 4-40 | ZF108900 | PAC BRAKE | 1 PC | |
| 4-5 | ZF108800 | SPACER 8,14,12 | 1 PC | |
| 4-7 | ZJ297100 | SPIDER ASSY K8L | 1 PC | |
| 4-9 | ZF122200 | SPIDER K8 | 1 PC | |
| 5 | ZF113100 | TI ASSY K26 | 1 PC | Discontinued. |
| 5-1 | WF557500 | HEXAGONAL NUT M4 #1 DGC1B | 1 PC | |
| 5-10 | ZF126900 | TI CASE L | 1 PC | |
| 5-11 | ZF127000 | TI CASE R | 1 PC | |
| 5-12 | ZF185000 | BOLT 4.0X28 MFZN2B3 | 1 PC | |
| 5-13 | ZF186600 | SCREW MACHINE WPAN 3.0X6 MFZN2B3 | 1 PC | |
| 5-14 | ZF109100 | POM WASHER 6.2,12,T1 | 1 PC | |
| 5-2 | ZF108600 | POINTER SHEET W4XL18XT1 | 1 PC | |
| 5-3 A | ZT805100 | NOTE R A | 1 PC | |
| 5-3 B | ZT805200 | NOTE R B | 1 PC | |
| 5-3 C | ZT805300 | NOTE R C | 1 PC | |
| 5-3 D | ZT805400 | NOTE R D | 1 PC | |
| 5-3 E | ZT805500 | NOTE R E | 1 PC | |
| 5-3 F | ZT805600 | NOTE R F | 1 PC | |
| 5-3 G | ZT805700 | NOTE R G | 1 PC | |
| 5-3 H | ZT805800 | NOTE R H | 1 PC | |

