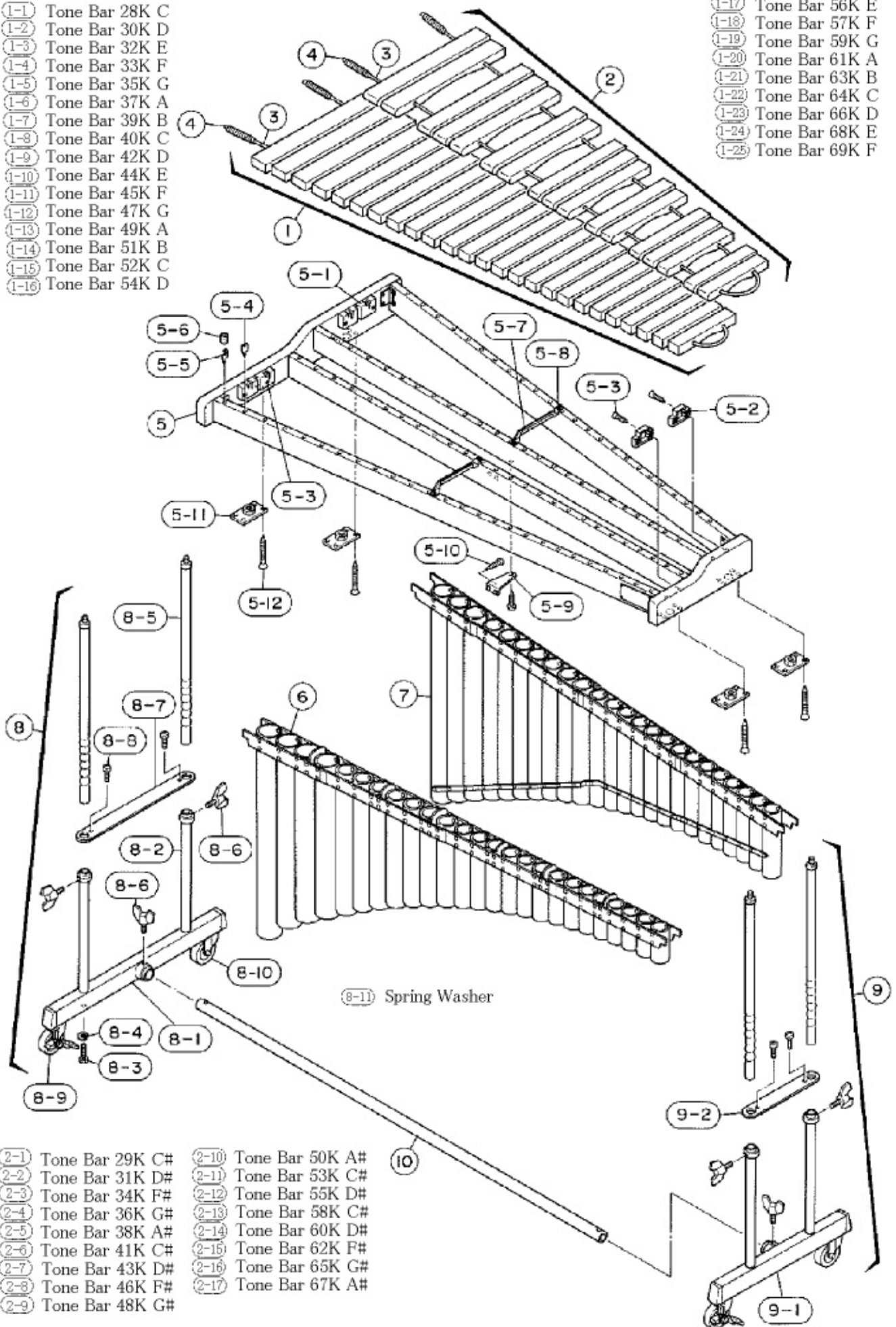


Model Name : YM-40

- (1-1) Tone Bar 28K C
- (1-2) Tone Bar 30K D
- (1-3) Tone Bar 32K E
- (1-4) Tone Bar 33K F
- (1-5) Tone Bar 35K G
- (1-6) Tone Bar 37K A
- (1-7) Tone Bar 39K B
- (1-8) Tone Bar 40K C
- (1-9) Tone Bar 42K D
- (1-10) Tone Bar 44K E
- (1-11) Tone Bar 45K F
- (1-12) Tone Bar 47K G
- (1-13) Tone Bar 49K A
- (1-14) Tone Bar 51K B
- (1-15) Tone Bar 52K C
- (1-16) Tone Bar 54K D

- (1-17) Tone Bar 56K E
- (1-18) Tone Bar 57K F
- (1-19) Tone Bar 59K G
- (1-20) Tone Bar 61K A
- (1-21) Tone Bar 63K B
- (1-22) Tone Bar 64K C
- (1-23) Tone Bar 66K D
- (1-24) Tone Bar 68K E
- (1-25) Tone Bar 69K F



- (2-1) Tone Bar 29K C#
- (2-2) Tone Bar 31K D#
- (2-3) Tone Bar 34K F#
- (2-4) Tone Bar 36K G#
- (2-5) Tone Bar 38K A#
- (2-6) Tone Bar 41K C#
- (2-7) Tone Bar 43K D#
- (2-8) Tone Bar 46K F#
- (2-9) Tone Bar 48K G#

- (2-10) Tone Bar 50K A#
- (2-11) Tone Bar 53K C#
- (2-12) Tone Bar 55K D#
- (2-13) Tone Bar 58K C#
- (2-14) Tone Bar 60K D#
- (2-15) Tone Bar 62K F#
- (2-16) Tone Bar 65K G#
- (2-17) Tone Bar 67K A#

- (9-1) [Component]
- (9-2) [Component]

(8-11) Spring Washer

Model Name : YM-40

Ref No.	Parts No.(ChangeNo.)	English Name	Minimum Delivery	Accept order or not
1	W5021300	TONE BAR ASS'Y (NATURAL) W.CORD YM40	1 PC	
1-1	W5021310	TONE BAR 28K C YM40	1 PC	
1-10	W5021400	TONE BAR 44K E YM40	1 PC	
1-11	W5021410	TONE BAR 45K F YM40	1 PC	
1-12	W5021420	TONE BAR 47K G YM40	1 PC	
1-13	W5021430	TONE BAR 49K A YM40	1 PC	
1-14	W5021440	TONE BAR 51K B YM40	1 PC	
1-15	W5021450	TONE BAR 52K C YM40	1 PC	
1-16	W5021460	TONE BAR 54K D YM40	1 PC	
1-17	W5021470	TONE BAR 56K E YM40	1 PC	
1-18	W5021480	TONE BAR 57K F YM40	1 PC	
1-19	W5021490	TONE BAR 59K G YM40	1 PC	
1-2	W5021320	TONE BAR 30K D YM40	1 PC	
1-20	W5021500	TONE BAR 61K A YM40	1 PC	
1-21	W5021510	TONE BAR 63K B YM40	1 PC	
1-22	W5021520	TONE BAR 64K C YM40	1 PC	
1-23	W5021530	TONE BAR 66K D YM40	1 PC	
1-24	W5021540	TONE BAR 68K E YM40	1 PC	
1-25	W5021550	TONE BAR 69K F YM40	1 PC	
1-3	W5021330	TONE BAR 32K E YM40	1 PC	
1-4	W5021340	TONE BAR 33K F YM40	1 PC	
1-5	W5021350	TONE BAR 35K G YM40	1 PC	
1-6	W5021360	TONE BAR 37K A YM40	1 PC	
1-7	W5021370	TONE BAR 39K B YM40	1 PC	
1-8	W5021380	TONE BAR 40K C YM40	1 PC	
1-9	W5021390	TONE BAR 42K D YM40	1 PC	
10	W5111340	LEG PIPE YM-40	1 PC	
2	W5071300	TONE BAR ASS'Y (ACCIDENTAL) W.CORD YM40	1 PC	
2-1	W5071310	TONE BAR 29K C# YM40	1 PC	
2-10	W5071400	TONE BAR 50K A# YM40	1 PC	
2-11	W5071410	TONE BAR 53K C# YM40	1 PC	
2-12	W5071420	TONE BAR 55K D# YM40	1 PC	
2-13	W5071430	TONE BAR 58K F# YM40	1 PC	
2-14	W5071440	TONE BAR 60K G# YM40	1 PC	
2-15	W5071450	TONE BAR 62K A# YM40	1 PC	
2-16	W5071460	TONE BAR 65K C# YM40	1 PC	
2-17	W5071470	TONE BAR 67K D# YM40	1 PC	
2-2	W5071320	TONE BAR 31K D# YM40	1 PC	
2-3	W5071330	TONE BAR 34K F# YM40	1 PC	
2-4	W5071340	TONE BAR 36K G# YM40	1 PC	

Model Name : YM-40

Ref No.	Parts No.(ChangeNo.)	English Name	Minimum Delivery	Accept order or not
2-5	W5071350	TONE BAR 38K A# YM40	1 PC	
2-6	W5071360	TONE BAR 41K C# YM40	1 PC	
2-7	W5071370	TONE BAR 43K D# YM40	1 PC	
2-8	W5071380	TONE BAR 46K F# YM40	1 PC	
2-9	W5071390	TONE BAR 48K G# YM40	1 PC	
3	W5110250	TONE BAR SUS.CORD(BRAIDED VINYLON)YM35B	1 PC	Discont inu ed.
4	W5110010	CODE TENSION SPRING (L) YT,YV	1 PC.	
5	W5130032	FRAME ASS'Y YM40	1 PC	
5-1	W5128290	RESONATOR ADJUSTER(LOW TONE END) YM35D,E	1 PC	
5-10	EQ035166	ROUND HEAD WOOD SCREW 3.5X16	1 PACK(6PC/PACK)	
5-11	W5110710	LEG MOUNT YV-1600	1 PC	
5-2	W5128300	RESONATOR ADJUSTER(HIGH TONE END) YM35E	1 PC	
5-3	EP335326	FLAT HEAD WOOD SCREW 3.5X32	1 PACK(6PC/PACK)	
5-4	W5130470	TONE BAR SUSPENSION POST H YM400C	1 PC	
5-5	W5110650	TONE BAR SUSPENSION POST (I) YM-2400	1 PC	
5-6	W5130700	RUBBER INSULATOR 9.7X11 YX300.35.30	10 PCS	
5-7	W5133900	RAIL CLAMP YM35D,E	1 PC	
5-8	EQ035206	ROUND HEAD WOOD SCREW 3.5X20	1 PACK(6PC/PACK)	
5-9	W5130850	CENTER RAILS BRACE YX30E	1 PC	
6	W5121100	NATURAL TONE RESONATORS ASSY YM35C.D.E	1 PC	
7	W5123100	ACCIDENTAL TONE RESONATORS ASSY YM35C.D.E	1 PC	
8	W5111060	LEG ASS'Y (LOW TONE END) YV1600	1 PC	
8-1	W5111090	LEG BASE (LOW TONE END) YV-1600	1 PC	
8-10	W5128630	CASTER	1 PC	
8-11	W5111310	SPRING WASHER YV-1600	1 PC	
8-2	W5111070	LEG (A) YV-1600	1 PC	
8-3	W5111130	HEXAGONAL NUT YV-1600	1 PC	
8-4	EV303806	SPRING WASHER M8 YX30E	1 BAG	
8-5	W5111140	LEG (B) YV-1600	1 PC	
8-6	W5127690	WING BOLT(1) YX360 (BLACK)	1 PC	
8-7	W5111080	LEG MOUNT-L YV-1600	1 PC	
8-8	EA030086	PAN HEAD SCREW 3.0X8	1 PACK(6PC/PACK)	
8-9	W5128620	CASTER (WITH BRAKE)	1 PC	
9	W5111150	LEG ASS'Y (HIGH TONE END) YV1600	1 PC	
9-1	W5111330	LEG BASE (HIGH TONE END) YV-1600	1 PC	
9-2	W5111150	LEG ASS'Y (HIGH TONE END) YV1600	1 PC	