



Celesta

Instruction Manual



Thank you for purchasing the Yamaha celesta.
Please read this manual thoroughly before using
your celesta, and retain it for future reference.

Table of Contents

Instructions

Recommended Environments for the Celesta

Maintenance

YAMAHA CORPORATION
P.O. Box 3, Hamamatsu, 430-8651, Japan

X9760A0

Printed in Japan

Instructions

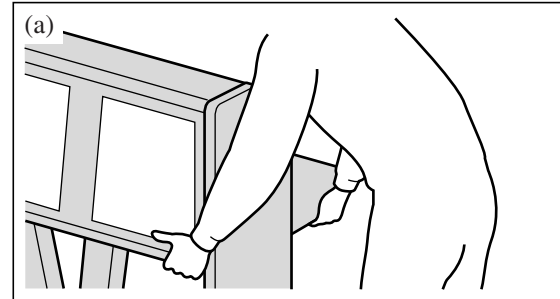
Please read these instructions carefully before using your celesta.

How to transport

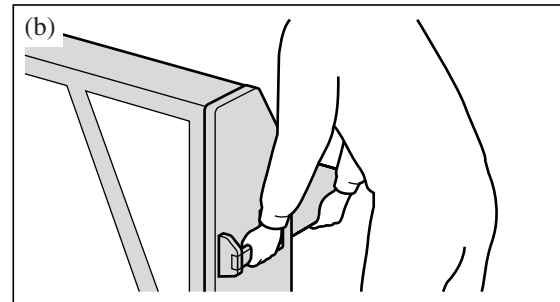
The celesta has four swivel casters for easy transportation.

Be sure to unlock the two front casters when moving it.

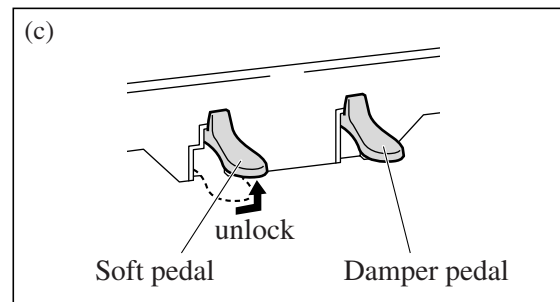
For the CEL series, hold the bottom of the side arm and the cabinet, as shown in illustration (a).



For all models except the CEL series, hold the bottom of the side arm and the handle bars on both sides of the celesta, as shown in illustration (b).



For models equipped with a soft pedal, be sure to unlock the soft pedal when moving the celesta, as shown in illustration (c).

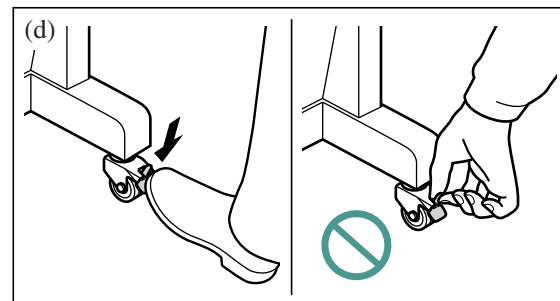


* Only the CEL-56P and CEL-56PGL models are equipped with a soft pedal.

How to lock the caster

The two front casters have locks.

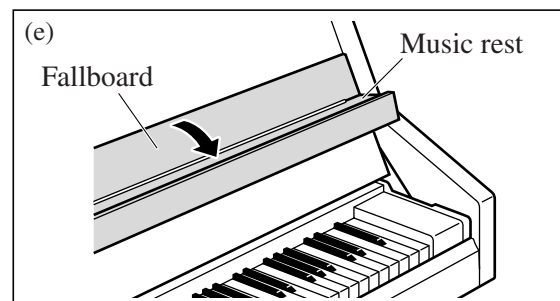
Be sure to lock the casters when storing the celesta, using your feet as shown in illustration (d).



How to use the music rest

The music rest is integrated into the fallboard.

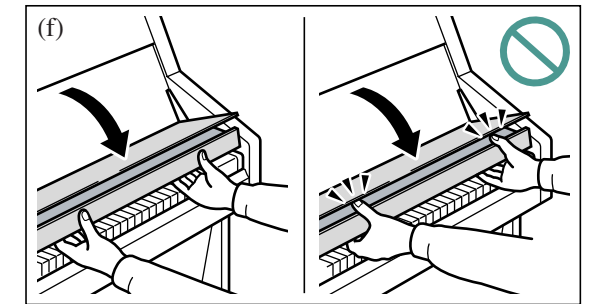
For all models except the CEL series, open the fallboard and then pull down the music rest as shown in illustration (e).



How to close the fallboard

For the CEL series, the fallboard is equipped with a “Soft-Close” safety mechanism to ensure that it closes slowly when you let it go.

For all models except the CEL series, the fallboard is made up of two wooden boards. When closing the fallboard, hold the bottom of the music rest and pull it back slowly, as shown in illustration (f). Be careful not to pinch your fingers.



Recommended Environments for the Celesta

Temperature

Since the celesta is an acoustic musical instrument, its sound changes with the ambient temperature. The resonators are designed to produce maximum volume at 23°C (73°F).

Humidity

Since the celesta is constructed of natural materials, excessively high or low humidity may degrade the tone as well as the feel of the keyboard.

The celesta is best kept in an environment with a relative humidity of 40% to 70%.

Maintenance

Maintenance of the coated surface

Gently wipe dust off the surface of the wooden cabinet with a soft cloth.

Do not use cleaning detergent or a chemical cloth as they may damage the finish.

Maintenance of the keyboard

Wipe the keyboard off with a soft cloth.

If you cannot wipe off a stain, soak a cloth in soapy water, wring it out thoroughly, and wipe off the stain. Do not use cleaning detergent, alcohol or benzene, as they may cause the keys to crack.

Dust cover

The cabinet has facing of the metal grilles for good sound penetration.

When you store the celesta, cover it with a cloth dust cover to control humidity and protect against dust.

Tuning and adjustment

Some components in this Yamaha celesta may wear out through continued use. Periodic tuning and adjustment are recommended.