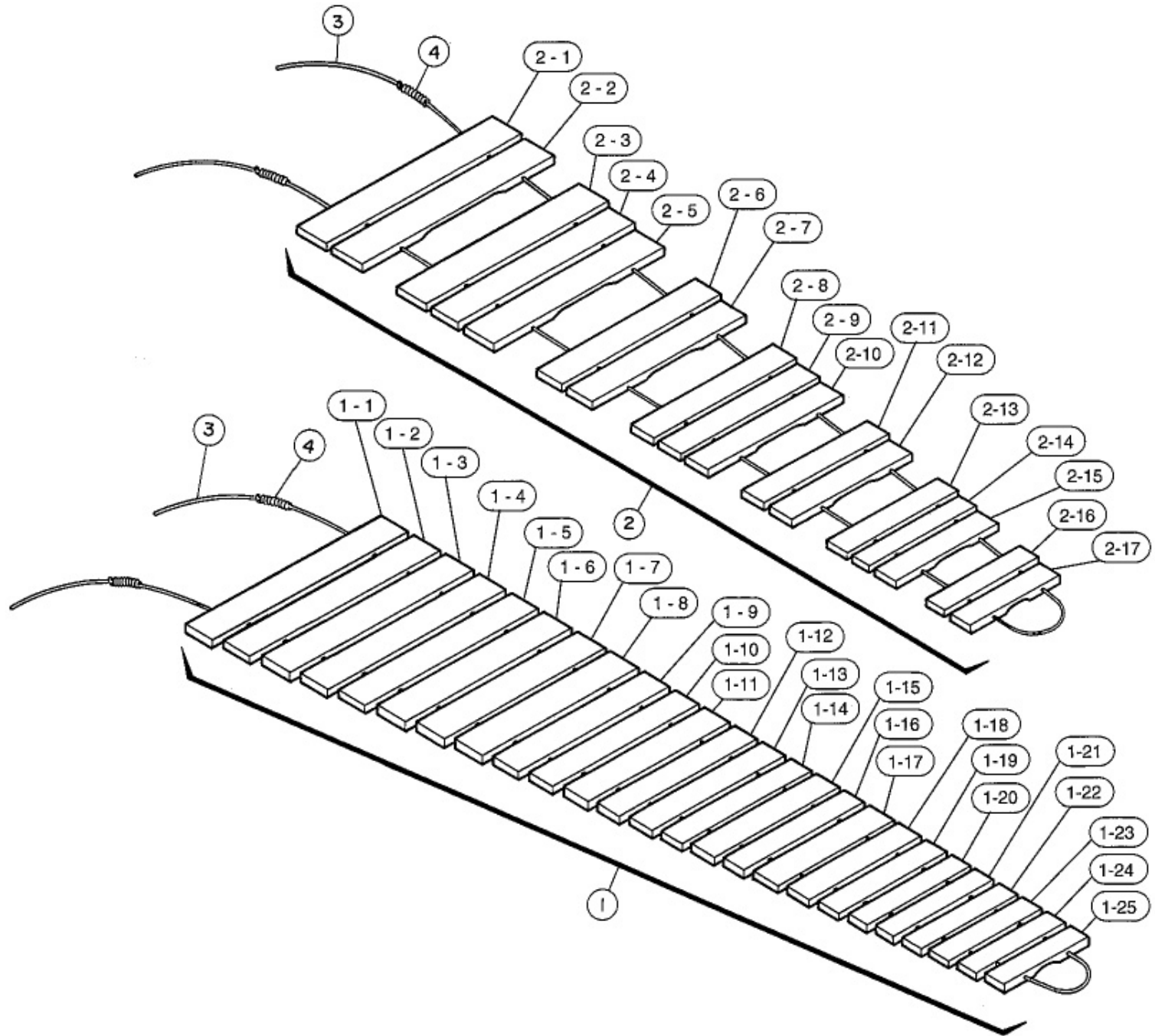
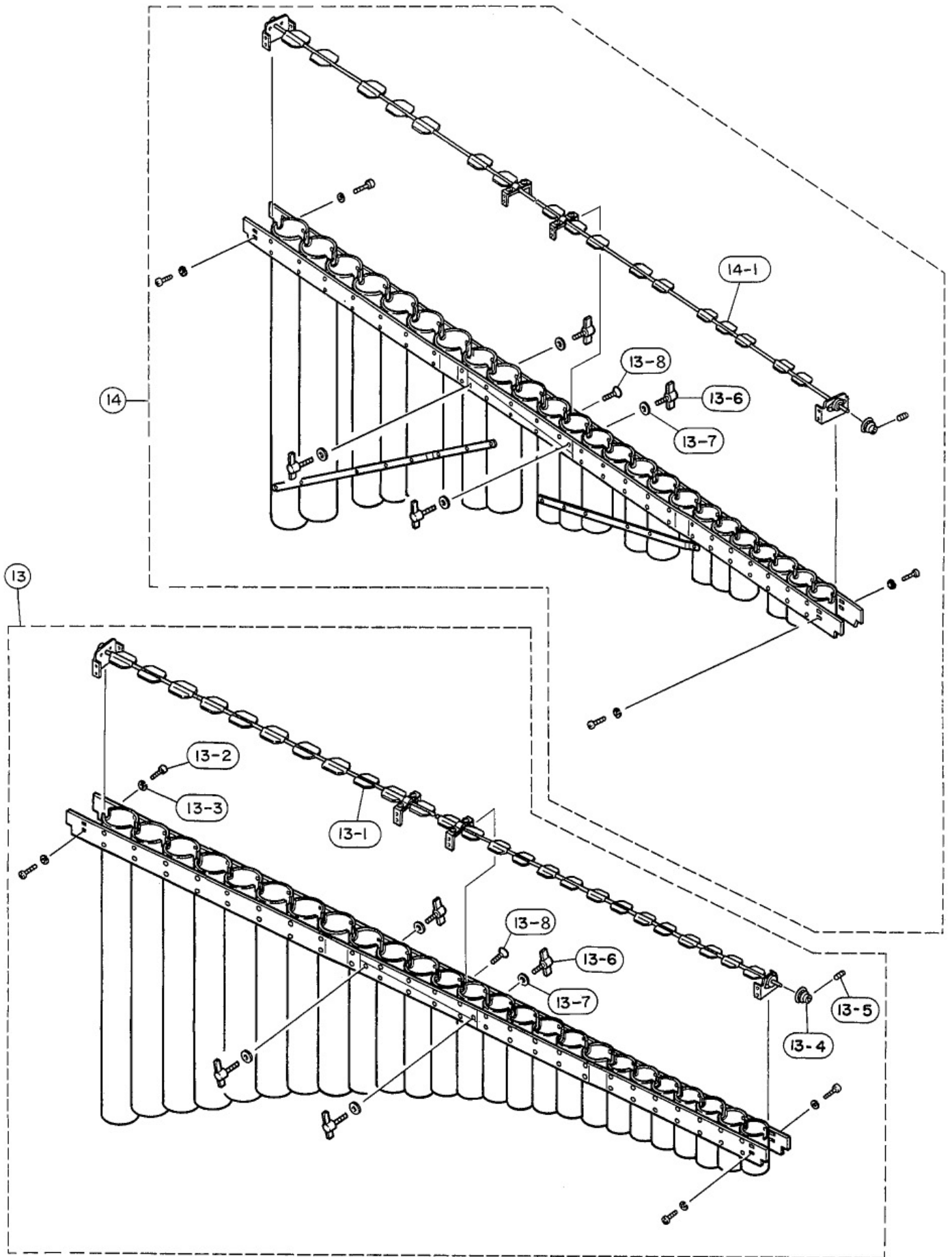


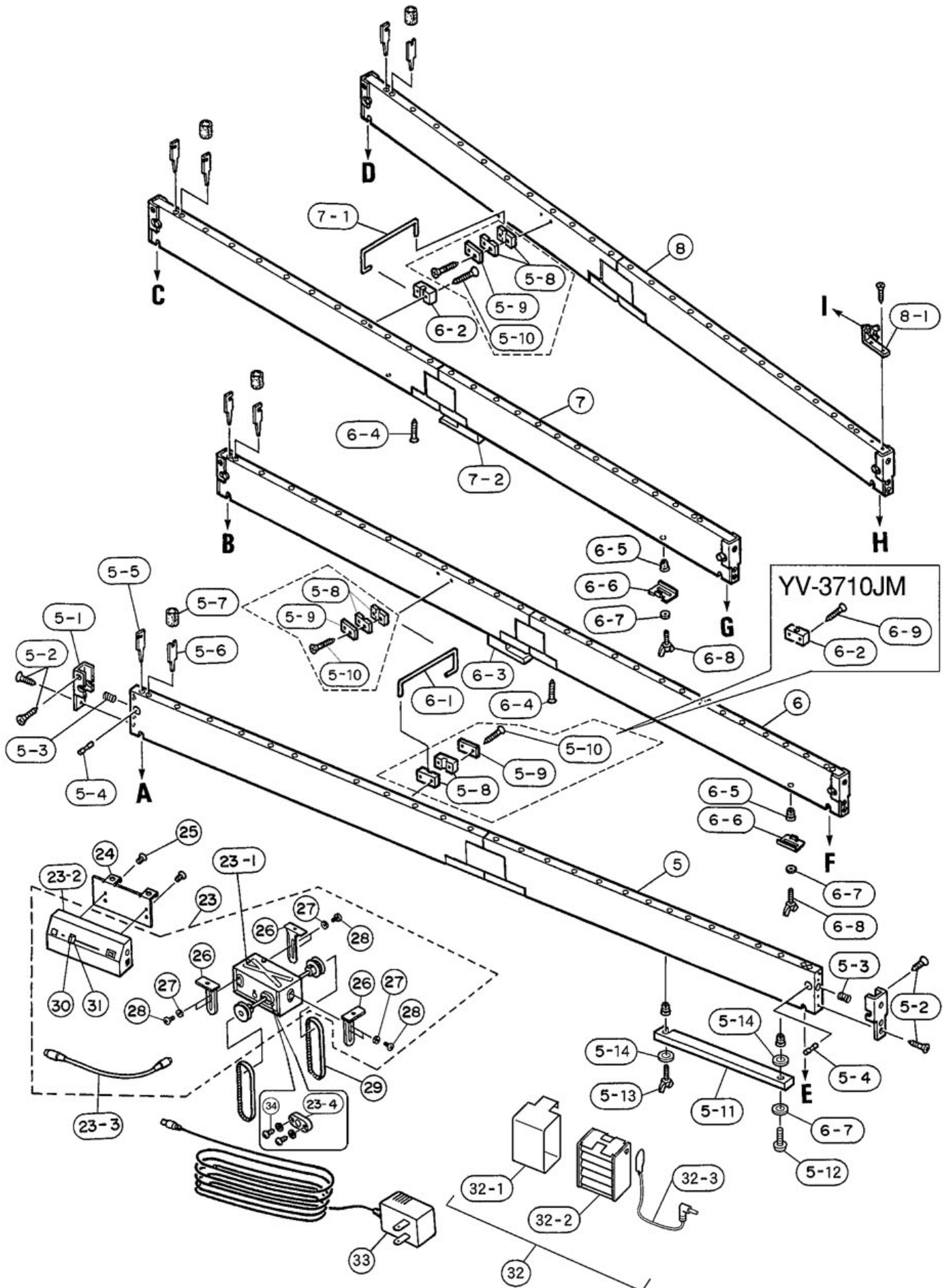
Model Name : YV-3910



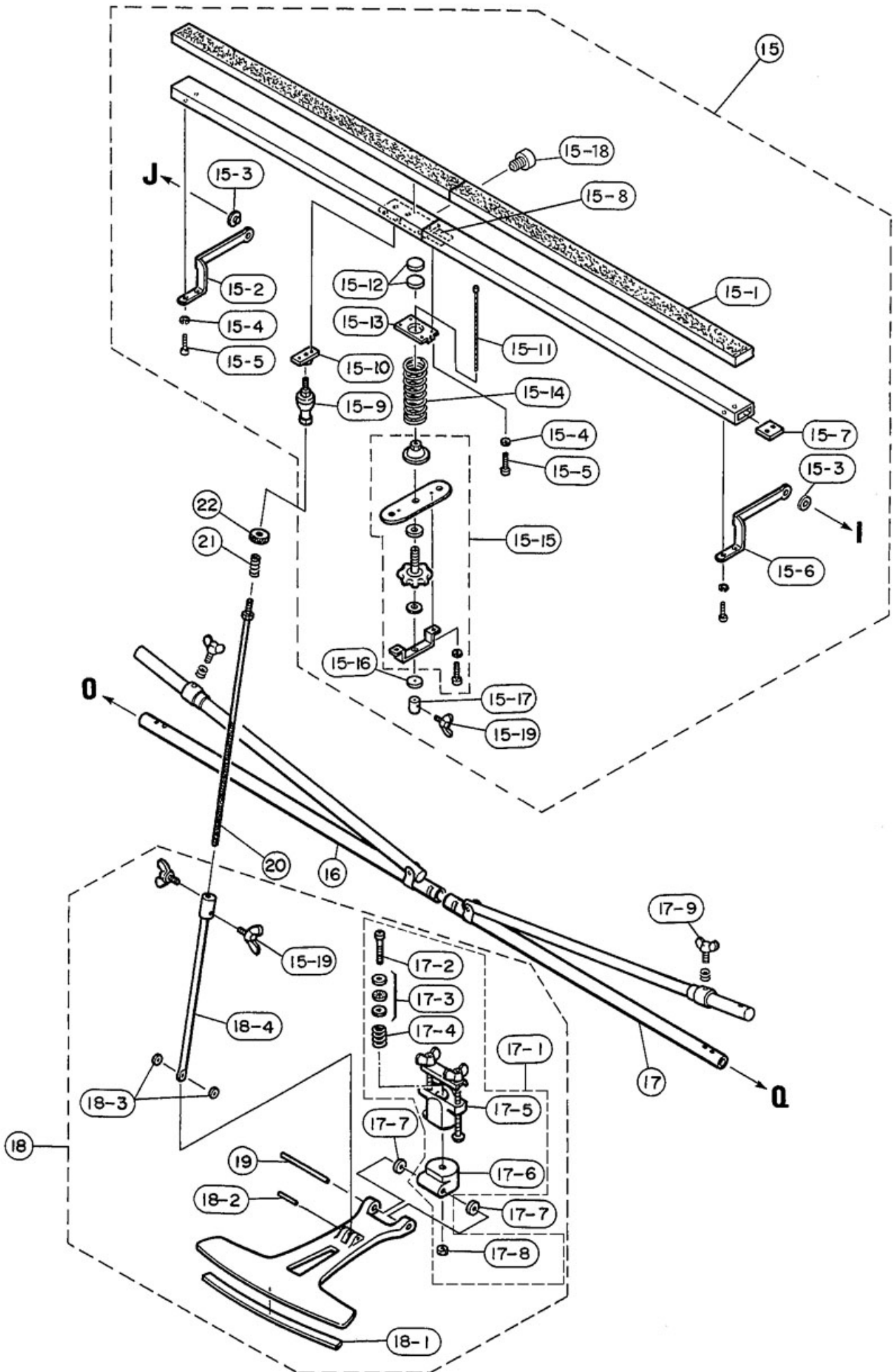
Model Name : YV-3910



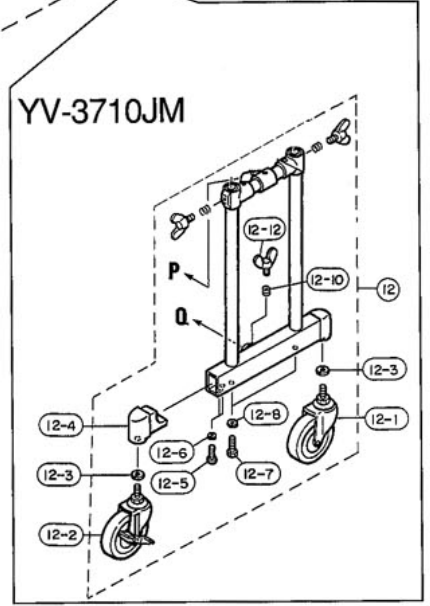
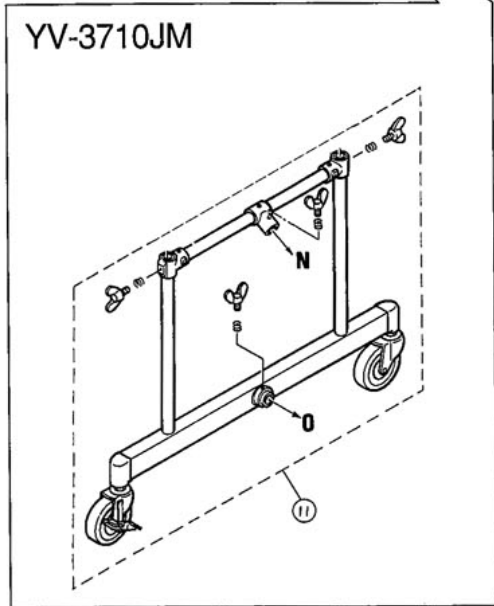
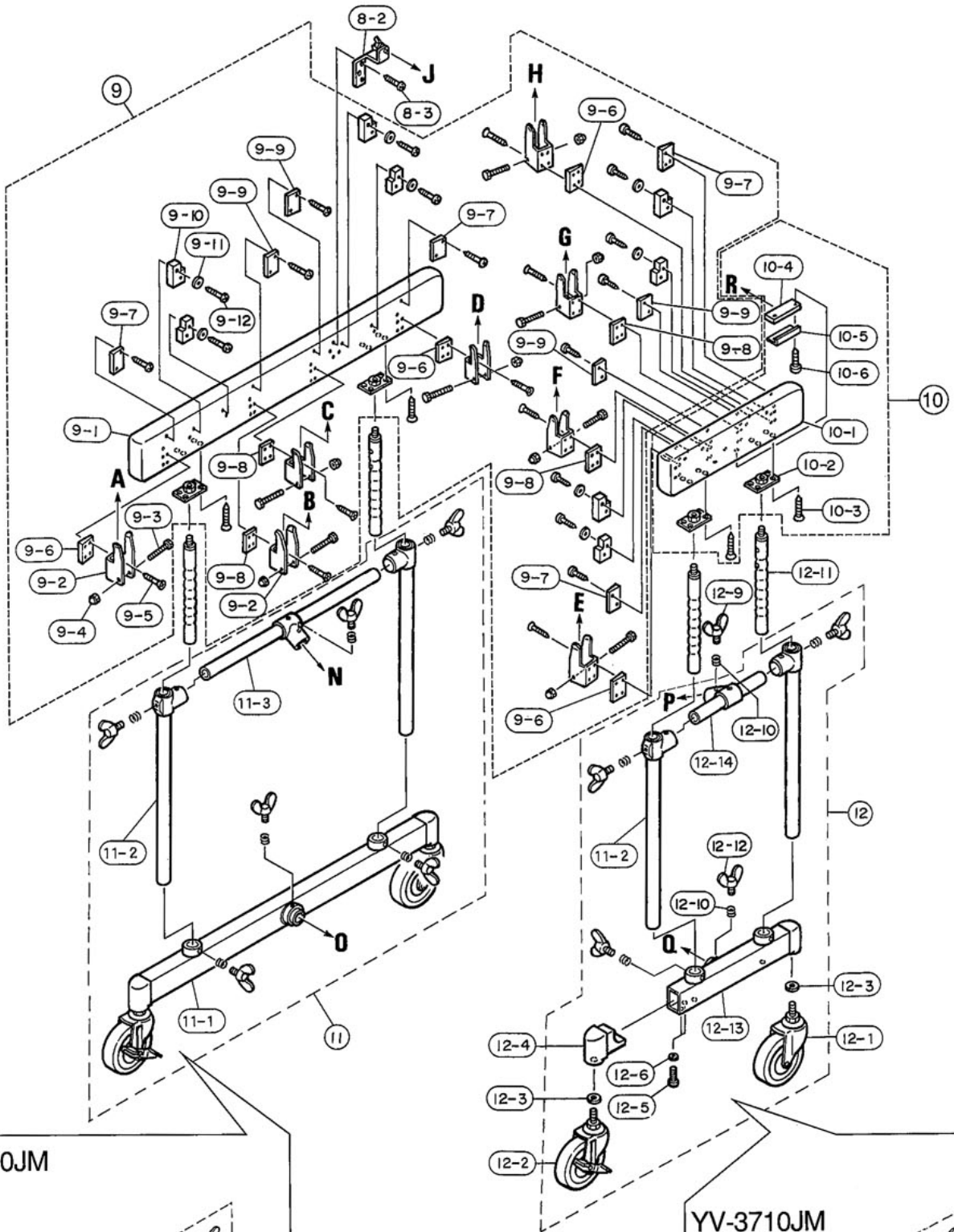
Model Name : YV-3910



Model Name : YV-3910



Model Name : YV-3910



Model Name : YV-3910

Ref No.	Parts No.(ChangeNo.)	English Name	Minimum Delivery	Accept order or not
1	WV804810	TONE BAR ASSY(NATURAL) YV-3910J	1 PC	
1-1	WV804840	TONE BAR C28 YV-3910J	1 PC	
1-10	W5012901	TONE BAR E44 YV3710	1 PC	
1-11	W5012911	TONE BAR F45 YV3710	1 PC	
1-12	W5012921	TONE BAR G47 YV3710	1 PC	
1-13	W5012931	TONE BAR A49 YV3710	1 PC	
1-14	W5012941	TONE BAR B51 YV3710	1 PC	
1-15	W5012951	TONE BAR C52 YV3710	1 PC	
1-16	W5012961	TONE BAR D54 YV3710	1 PC	
1-17	W5012971	TONE BAR E56 YV3710	1 PC	
1-18	W5012981	TONE BAR F57 YV3710	1 PC	
1-19	W5012991	TONE BAR G59 YV3710	1 PC	
1-2	WV804850	TONE BAR D30 YV-3910J	1 PC	
1-20	W5012761	TONE BAR A61 YV3710 YV3910	1 PC	
1-21	W5012771	TONE BAR B63 YV3710	1 PC	
1-22	W5012781	TONE BAR C64 YV3710	1 PC	
1-23	W5012791	TONE BAR D66 YV3710	1 PC	
1-24	W5012801	TONE BAR E68 YV3710	1 PC	
1-25	W5012811	TONE BAR F69 YV3710	1 PC	
1-3	WV804890	TONE BAR E32 YV-3910J	1 PC	
1-4	W5012842	TONE BAR F33 YV3710	1 PC	
1-5	W5012851	TONE BAR G35 YV3710	1 PC	
1-6	W5012861	TONE BAR A37 YV3710	1 PC	
1-7	W5012871	TONE BAR B39 YV3710	1 PC	
1-8	W5012881	TONE BAR C40 YV3710	1 PC	
1-9	W5012891	TONE BAR D42 YV3710	1 PC	
10-2	W5163012	LEG MOUNT YV3700	1 PC	
10-3	EP351452	FLAT HEAD WOOD SCREW 5.1X45	1 PACK(2PC/PACK)	
10-4	W5300051	MOTOR MOUNTING RUBBER YV2700	1 PC	
10-5	W5235120	MOTOR MOUNTING PLATE YV2700	1 PC	
10-6	EQ335256	ROUND HEAD WOOD SCREW 3.5X25	1 PACK(6PC/PACK)	
11	WV805760	LEG ASSY (LOW TONE SIDE) YV-3910J	1 PC	
11-1	WV805770	LEG BASE (LOW TONE SIDE) YV-3910J	1 PC	
11-2	WV805780	LEG PIPE YV-3910J	1 PC	
11-3	WV805790	LEG STAY PIPE (LOW TONE SIDE) YV-3910J	1 PC	
12	WV805810	LEG ASSY (HIGH TONE SIDE) YV-3910J	1 PC	
12-1	WV805820	LEG BASE (HIGH TONE SIDE) YV-3910J	1 PC	
12-10	W5148107	COIL SPRING YV2700/2700G	1 PC.	
12-11	W5114001	SIDE LEG ASS'Y YV2700	1 PC	
12-12	W5127691	WING BOLT M8X18 YV1600A	1 PC.	

Model Name : YV-3910

Ref No.	Parts No.(ChangeNo.)	English Name	Minimum Delivery	Accept order or not
12-2	WV805830	LEG STAY PIPE (HIGH TONE SIDE) YV-3910J	1 PC	
12-3	W5135460	CASTER YX360	1 PC.	
12-4	W5135450	CASTER (WITH BRAKE) YX360	1 PC	
12-5	W5111310	SPRING WASHER YV-1600	1 PC	
12-6	W5334107	CASTER HOLDER YV3200A	1 PC	
12-7	EA160166	PAN HEAD SCREW 6.0X16	1 PACK(6PC/PACK)	
12-8	EV300066	SPRING WASHER 6.0MM	1 PACK(6PC/PACK)	
12-9	W5127695	WING BOLT M8X15 YV3910J	1 PC.	
13	WV805840	NATURAL TONE RESONATORS ASSY YV-3910J	1 PC	
13-1	WV805850	REVOLVING FAN SHAFT ASSY (NATURAL) YV-39	1 PC	
13-2	EA230086	SCREW(ST) 3.0X 8	1 PACK(6PC/PACK)	
13-3	EV301036	SPRING WASHER 3.0MM	1 PACK(6PC/PACK)	
13-4	W5128100	PULLY (MOTOR SIDE) YV3700.2500	1 PC	
13-5	W5128120	PULLY MOUNTING SCREW YV2500	1 PC	
13-6	W5151702	T BOLT M8YV YV-3910J	1 PC	
13-7	W5111324	FLAT WASHER YV3710	1 PC	
13-8	WV805930	FLAT HEAD SCREW 3X8 YV-3710JM, YV-3910J	1 PC	
14	WV805860	ACCIDENTAL TONE RESONATORS ASSY YV-3910J	1 PC	
14-1	WV805870	REVOLVING FAN SHAFT ASSY (ACCIDENTAL) YV	1 PC	
15	WV805880	SUSTAIN DAMPER ASSY YV-3910J	1 PC	
15-1	WV805890	SUSTAIN DAMPER CUSHION YV-3910J	1 PC	
15-10	W5325104	ROD CONNECTOR HOLDER YV2700	1 PC	
15-11	W5110821	DAMPER WIRE YV2700	1 PC	
15-12	W5110791	CUSHION (1) BLACK FELT YV-2700	1 PC	
15-13	W5110781	DAMPER SPRING STOPPER HOLDER-U YV-2700	1 PC	
15-14	W5110870	DAMPER SPRING YV-1600	1 PC	
15-15	W5325200	DAMPER ADJUSTING ASS'Y YV2700	1 PC	
15-16	W5110771	RUBBER (2) BLACK YV-2700	1 PC	
15-17	W5185108	WIRE CLIP YV-3200AJ, YV-3710, YV2700	1 PC	
15-18	V8059000	ALLEN HEAD BOLT M8X15 YV-3710JM, YV3910J	1 PC.	
15-19	W5127891	WING BOLT M6X10 YV2700	1 PC	
15-2	W5325121	S. DAMPER ARM (LOW and HIGH T.END)	1 PC	
15-3	W5325120	NYLON BUSHING NO.4 YV-3710JM	1 PC	
15-4	EV300046	SPRING WASHER 4.0MM	1 PACK(6PC/PACK)	
15-5	W5234140	ALLEN HEAD SCREW 4X15 YV2700	1 PC	
15-6	W5325121	S. DAMPER ARM (LOW and HIGH T.END)	1 PC	
15-7	W5330109	SUSTAIN DAMPER NUT YV2700	1 PC	
15-8	W5325052	SUSTAIN DAMPER YV-3710JM, YV-3910J	1 PC	
15-9	W5325115	ROD CONNECTER YV2700G/2700	1 PC	
16	WV805910	PEDAL STAY (L) ASSY YV-3910J	1 PC	

Model Name : YV-3910

Ref No.	Parts No.(ChangeNo.)	English Name	Minimum Delivery	Accept order or not
17	WV805920	PEDAL STAY (R) ASSY YV-3910J	1 PC	
17-1	W5326000	PEDAL MOUNT ASSY YV3710	1 SET	
17-2	W5000160	ALLEN HEAD BOLT M8X45 YV3200A	1 PC	
17-3	W5326007	THRUST BEARING YV3200A,YV3710JM BT8-16	1 PC	
17-4	W5326006	SPRING YV3200A	1 PC	
17-6	W5326003	PEDAL MOUNT (2) YV2700G/2700	1 PC	
17-7	W5166010	WASHER YV-2700	1 PC	
17-8	EV100800	HEXAGONAL NUT 8.0MM ZMC-2Y	1 PC.	
17-9	W5127695	WING BOLT M8X15 YV3910J	1 PC.	
18	W5330106	PEDAL ASS'Y YV3710	1 PC	
18-1	W5151410	PEDAL CUSHION YV2700G/YV3710JM	1 PC	
18-2	W5167005	PEDAL ROD PIN YV-3200A	1 PC	
18-3	W5165119	PEDAL BUSHING YV-3200	1 PC	
18-4	W5327002	PEDAL ROD YV-3200AJ/YV2700	1 PC	
19	W6590400	PEDAL FULCRUM SHAFT TP5XXX	1 PC	
2	V8049000	TONE BAR ASSY(ACCIDENTAL) YV-3910J	1 PC,	
2-1	WV804910	TONE BAR C#29 YV-3910J	1 PC	
2-10	W5013771	TONE BAR A#50 YV3710	1 PC	
2-11	W5013781	TONE BAR C#53 YV3710	1 PC	
2-12	W5013791	TONE BAR D#55 YV3710	1 PC	
2-13	W5013801	TONE BAR F#58 YV3710	1 PC	
2-14	W5013811	TONE BAR G#60 YV3710	1 PC	
2-15	W5013821	TONE BAR A#62 YV3710	1 PC	
2-16	W5013831	TONE BAR C#65 YV3710	1 PC	
2-17	W5013841	TONE BAR D#67 YV3710	1 PC	
2-2	WV804920	TONE BAR D#31 YV-3910J	1 PC	
2-3	W5013701	TONE BAR F#34 YV3710	1 PC	
2-4	W5013711	TONE BAR G#36 YV3710	1 PC	
2-5	W5013721	TONE BAR A#38 YV3710	1 PC	
2-6	W5013731	TONE BAR C#41 YV3710	1 PC	
2-7	W5013741	TONE BAR D#43 YV3710	1 PC	
2-8	W5013751	TONE BAR F#46 YV3710	1 PC	
2-9	W5013761	TONE BAR G#48 YV3710	1 PC	
20	W5327004	CENTER ROD YV2700	1 PC	
21	W5330126	SUSTAIN DAMPER SPRING-SMALL YV2700	1 PC	
22	W5150106	NUT YV2700	1 PC	
23	W5170410	YVM-300 (MOTOR)ASSY YV3200A/3600A	1 PC	
23-1	W5170419	YVM-300 YV3700	1 PC	
23-2	W5170200	CONTROLLER UNIT YV3600A--1600A	1 PC	
23-3	W5172200	8P-DIN CABLE L=220 YV3600A--1600A	1 PC	

Model Name : YV-3910

Ref No.	Parts No.(ChangeNo.)	English Name	Minimum Delivery	Accept order or not
24	W5170440	CONTROLLER MOUNTING PLATE YV3000A	1 PC	
25	EB330046	FLAT HEAD SCREW(ST) 3X4	1 PACK(6PC/PACK)	
26	W5170420	LEG ASS'Y YV1600A,3700	1 PC	
27	EV303046	SPRING WASHER 4.0MM	1 PACK(6PC/PACK)	
28	EA330046	PAN HEAD SCREW 3.0X4(ST)	1 BAG	
29	W5128092	PLASTIC VIBRAPHONE BELTS FOR YV3200A	1 PC	
3	WV804930	TONE BAR SUS.CORD(BRAIDED VINYLON)YV3910	1 PC	
30	W5170210	CONTROLLER KNOB YV3600AJ-1600AJ	1 PC	
31	VT953600	VR 75MM B10K	1 PC	
32	W5172242	BATTERY CASE SET YV3200AJ-1600AJ	1 SET	Discontinued.
32-1	W5172222	BATTERY CASE HOLDER 1600AJ	1 PC	
32-2	W5172210	BATTERY CASE YV3600AJ-1600AJ	1 PC	
32-3	W5172230	BATTERY CABLE YV3600AJ-1600AJ	1 PC	Discontinued.
4	W5110010	CODE TENSION SPRING (L) YT,YV	1 PC.	
5	WV804940	RAIL ASSY NO.1 YV3910J	1 PC	
5-1	W5323104	RAIL HOLDER YV3700	1 PC	
5-10	EP335326	FLAT HEAD WOOD SCREW 3.5X32	1 PACK(6PC/PACK)	
5-11	WV805710	CONTROLLER JOINT HOLDER YV-3710JM,YV-39	1 PC	
5-12	V8050000	SCREW M6x35 YV3710JM	1 PC.	
5-13	WV805680	WING BOLT M6x40 YV3710JM	1 PC	
5-14	WV805690	FLAT WASHER YV3710JM	1 PC	
5-2	EP335206	FLAT HEAD WOOD SCREW 3.5X20	1 BAG	ORDER STOP
5-3	W5184107	MOUNT SPRING YV3200A	1 PC	
5-4	W5323105	STOP PIN YV1500	1 PC	ORDER STOP
5-5	W5130500	TONE BAR SUSPENSION POST K YX25	1 PC	
5-6	W5130470	TONE BAR SUSPENSION POST H YM400C	1 PC	
5-7	W5130710	RUBBER INSULATOR 10X14 YT300D.600D	10 PC	
5-8	WV430630	RAIL CRAMP RUBBER YM5100A	1 PC	
5-9	WV430640	RAIL CRAMP SUPORT RUBBER YM5100A	1 PC	
6	WV804950	RAIL ASSY NO.2 YV3910J	1 PC	
6-1	WV805970	RAIL CLAMP(FRONT) YV-3910J	1 PC	
6-3	WV804980	SPRING HOLDER NO,2 YV-3710JM,YV-3910J	1 PC	
6-4	WV805950	FLAT HEAD WOOD SCREW 3.5x38 YV3710JM	1 PC	
6-5	W0376304	NUT MBL32	1 PC	
6-6	W5170260	MOTOR HOLDING PLATE YV2700,3200A	1 PC	
6-7	EV203066	PLAIN WASHER 6.0MM	1 PACK(6PC/PACK)	
6-8	W5180110	WING BOLT YV1500	1 PC	
7	WV804960	RAIL ASSY NO.3 YV3910J	1 PC	
7-1	WV805980	RAIL CLAMP(REAR) YV-3910J	1 PC	
7-2	WV804990	SPRING HOLDER NO,3 YV-3710JM,YV-3910J	1 PC	

