



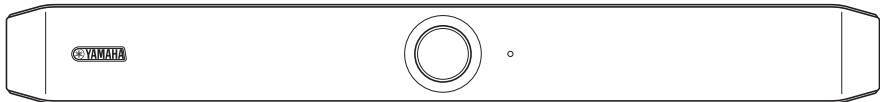
VIDEO CONFERENCE SYSTEM
SYSTÈME DE VIDÉOCONFÉRENCE
SISTEMA DE VIDEOCONFERENCIA
СИСТЕМА ВИДЕОКОНФЕРЕНЦСВЯЗИ

视频电话会议终端

視訊會議系統

ビデオ会議システム

CS-800



- EN** Quick Guide
- DE** Kurzanleitung
- FR** Guide rapide
- ES** Guía rápida
- PT** Guia rápido
- IT** Guida rapida
- RU** Краткое руководство
- ZH-CN** 快速指南
- ZH-TW** 快速指南
- KO** 빠른 가이드
- JA** クイックガイド

English

Deutsch

Français

Español

Português

Italiano

Русский

简体中文

繁體中文

한국어

日本語

Contents



Introduction	3
About this manual	3
Included items.....	4
Separately sold items.....	4
Available manuals	5
Available utility software.....	5
Updating the firmware.....	5
Controls and connectors	6
Front panel.....	6
Rear panel	7
Remote control.....	8
Connections and setup.....	9
Sample setups	9
Power supply	11
Inserting/replacing the remote control batteries	11
Pairing the device and remote control.....	12
Specifying the necessary settings for using your own computer/smart device	13
Installing the DisplayLink® driver.....	13
Selecting the device on the computer.....	13
Configuring the device from a TV screen (on-screen display menu)	14
Using the settings menu	14
Installing the terminal cover.....	15
Installing the table stand	15
Installing the wall mounting bracket	16
Installing on a wall	16
Installing the monitor mounting bracket (VESA)	17
Returning to factory default settings (factory reset).....	21
Main specifications	21

Introduction

Thank you for purchasing the Yamaha CS-800. This product is a video conferencing system for holding remote conferences in huddle spaces and meeting rooms. It can be used as an audio/video device in combination with your unified communications setup. For comfortable remote collaboration, this device is equipped with a high-quality camera, microphone and speaker.

About this manual

- This Manual uses the following signal words for the important information:

 WARNING	This content indicates “risk of serious injury or death.”
 CAUTION	This content indicates “risk of injury.”
NOTICE	Indicates content that you must observe in order to prevent the product from malfunctioning, being damaged, or operating incorrectly, and to avoid data loss.
IMPORTANT	Indicates content that you must know in order to operate and use the product correctly.
NOTE	Indicates information that is related to operation and use. Read this for your reference.

- The illustrations as shown in this manual are for instructional purposes only.
- The company names and product names in this manual are the trademarks or registered trademarks of their respective companies.
- Yamaha continuously makes improvements and updates to the software included in this product. You can download the latest software from the Yamaha website.
- The contents of this manual apply to the latest specifications as of the publishing date. To obtain the latest manual, access the Yamaha website then download the manual file.

Included items

- CS-800 (device)
- Read this first
- Safety Guide
- Quick Guide (this manual)
- USB 2.0 cable (Type C-A, 5 m)
- HDMI cable (2 m)
- Remote control
- Lens cap
- Terminal cover
- Coin battery (CR2032) × 2
- AC adaptor with power cord (CW2002100)
- Table stand
- Wall mounting bracket
- Screws
 - Terminal cover screw (2.5 mm × 8 mm) × 2
 - Hexagonal screw (M3 × 6 mm) for table stand × 2
 - Hexagonal screw (M3 × 8 mm) for wall mounting bracket × 1
- Hexagonal wrench

Separately sold items

- Monitor mounting bracket (mounting accessory) BRK-TV1
This is required for installing the device onto the VESA mount of a TV.
- USB cables: CBL-L10AC (10 meters), CBL-L25AC (25 meters)
These are fiber optic USB cables. They are used when the device and computer are separated. These support USB 3.2 Gen2 (Super Speed Plus) and can communicate at high speeds up to 10 Gbps.

NOTE

The VESA standards are international standards that define the spacing between screw holes used when attaching video equipment, such as TVs, to wall mounts and TV stands.

Available manuals

The manuals for this product can be downloaded in the PDF format from the following website.

U.S.A. and Canada

<https://uc.yamaha.com/support/>

Other Countries

<https://download.yamaha.com/>

- **Read This First (included)**
This describes what to do first after purchasing the product.
- **CS-800 Safety Guide (included)**
This contains the precautions for using this product safely.
- **CS-800 Quick Guide (this manual, included)**
This provides mainly basic information for using this product, such as part names, installation procedures, and setup operations, as well as details on where to obtain other related information.
- **CS-800 User's Guide**
This provides detailed information for using this product. It also explains how to use the Yamaha CS Manager on your computer to configure and operate the device.

Available utility software

Optional utility software is available for this product. For detailed information on this software, refer to the CS-800 User's Guide.

- **Yamaha CS Manager**
This is software that allows you to configure and operate the device from your computer.

Updating the firmware

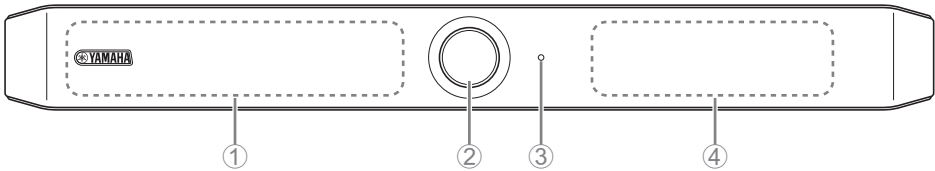
This product is designed to allow the firmware of the device to be updated in order to improve operability, add functions and fix problems.

Information on updating the firmware is available on the Yamaha website.

For details on the updating procedure and device settings, refer to the CS-800 User's Guide.

Controls and connectors

Front panel



① Microphone

② Camera

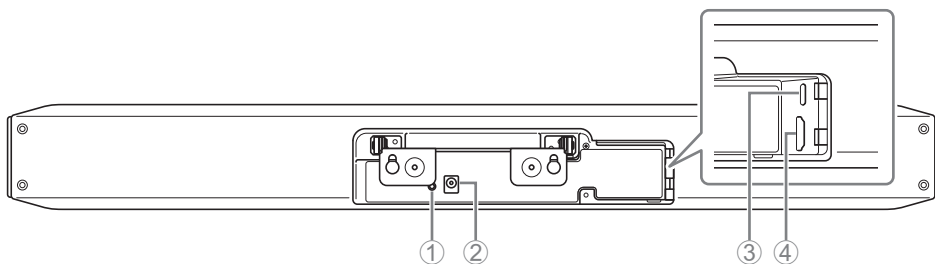
③ Status indicator

Indicates the status of the device.

Indicator state		Device status
White (lit)		Standby
Light blue (lit)		Camera operating
Green (lit)		During a call
Red (lit)		Microphone muted
White (flashing)	0.361 time/sec	Starting
Unlit		Turned off; power-saving standby
White (flashing)	0.3 time/sec	Monitoring off
Orange (flashing)	1 time/sec	Factory reset; activation of HDMI function/ DisplayLink function/Bluetooth
Blue (flashing)	1 time/sec	Pairing with the remote control or smart device
Blue (lit)	3 seconds	Completion notification of remote control pairing
Green (flashing)	2 times/sec	Receiving a call
Red (flashing)	2.5 times/sec	Hardware error

④ Speaker

Rear panel



① [FUNCTION] button

Can be used to pair the device with the remote control (page 12) or to return the device to its factory default settings (page 21).

② [DC-IN] jack

Connect the AC adaptor here. After connecting the AC adaptor to the [DC-IN] jack on the rear panel, insert the power plug into an electrical outlet.

Connecting the AC adaptor turns on the device.

③ [USB] port (Type C)

This port is for connecting the device to a computer.

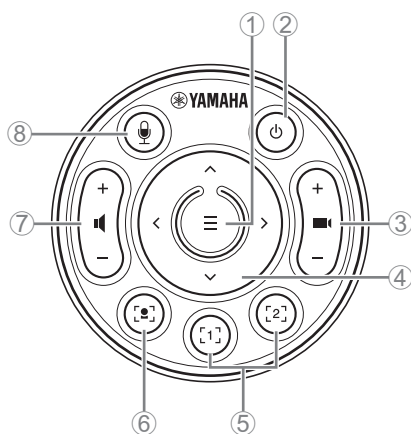
This enables displaying the computer screen and configuring the device. Use the included USB cable (Type C-A) for this connection. For details on the device settings, refer to the CS-800 User's Guide.

④ [HDMI] port

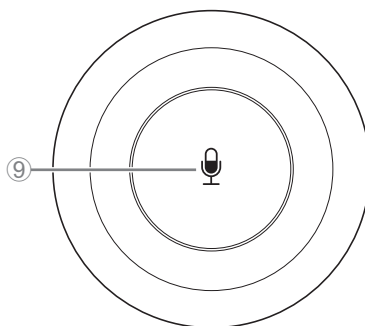
This port is for connecting the device to a TV.

This allows the TV to display the screen of the computer connected to the [USB] port and the device's on-screen display.

Remote control



Top



Bottom

① Menu button

Can be used to display the menu on the TV or pair the device with the remote control (page 12).

② Power button

Used to turn the CS-800 on/standby.

③ Camera zoom button

④ Pan/tilt button

⑤ Camera preset 1 & 2 buttons

⑥ Smart framing button

⑦ Speaker volume buttons

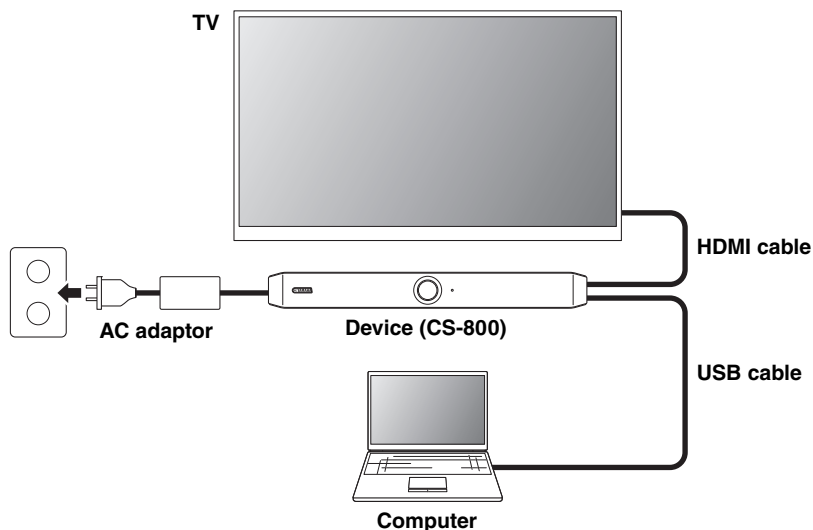
⑧ ⑨ Microphone mute button

Connections and setup

Sample setups

■ When bringing your own PC

Use this setup in an environment where a computer will be brought to the location where the video conference is held.



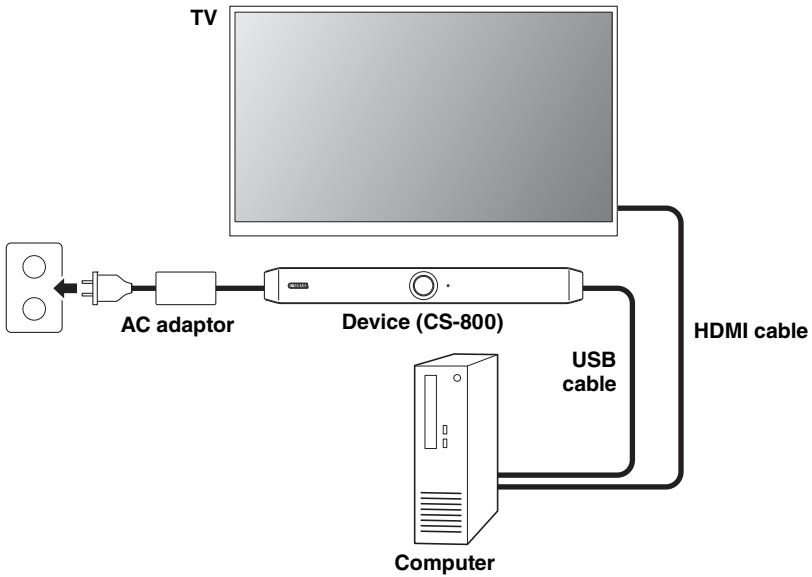
Connect one end of the included HDMI cable to the [HDMI] port on the device, and connect the other end to the TV.

Connect one end of the included USB cable to the [USB] port on the device, and connect the other end to the computer.

Connections and setup

■ When using the meeting room PC

Use this setup in an environment where a computer or tablet dedicated to video conferencing is set up at the location where the video conference is held.

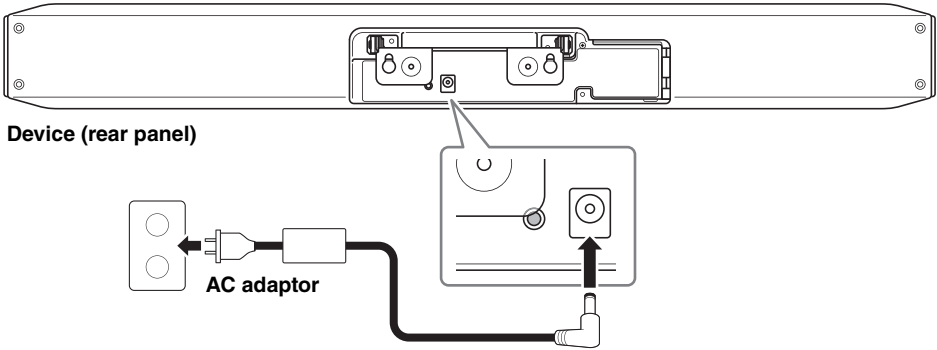


Connect one end of the included HDMI cable to the computer, and connect the other end to the TV.

Connect one end of the included USB cable to the [USB] port on the device, and connect the other end to the computer.

Power supply

Connect one end of the AC adaptor to the [DC-IN] jack on the device, and connect the other end to an electrical outlet.

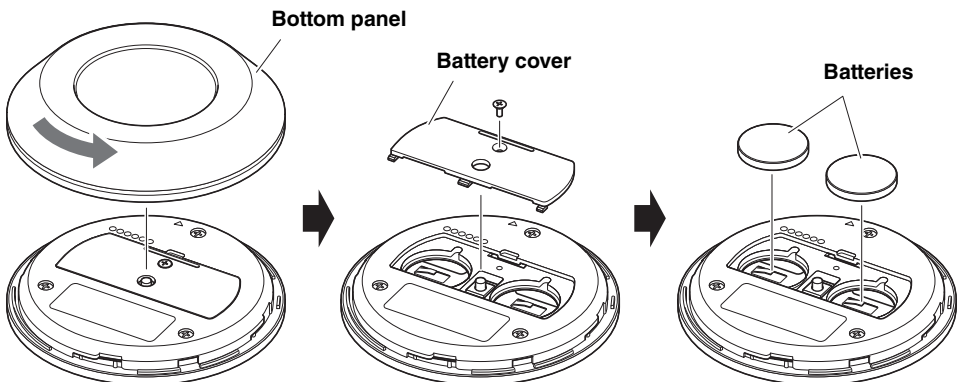


Connecting the AC adaptor turns on the device.

NOTE

After the power supply has been connected, the device can be turned on or set to standby with the power button on the remote control.

Inserting/replacing the remote control batteries

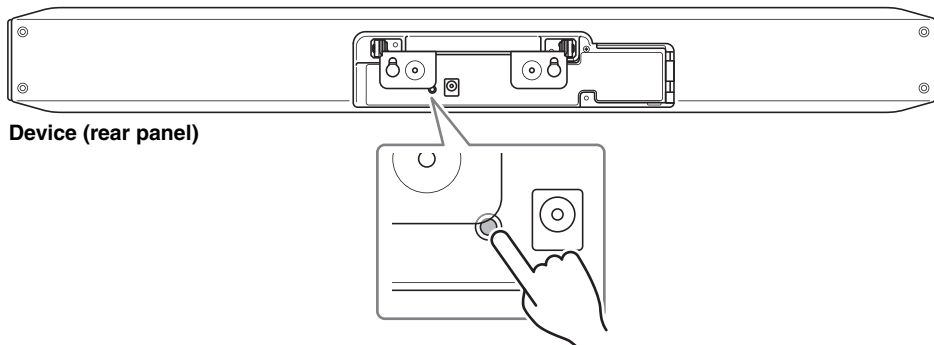


Remove the bottom panel and battery cover, and then insert two batteries (CR2032).

Pairing the device and remote control

In order to operate the device with the remote control, follow the procedure below to pair them.

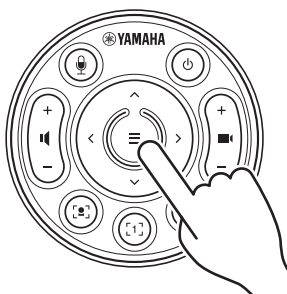
- 1. Long-press the [FUNCTION] button (on the rear panel of the device) for at least 2 seconds.**



Device (rear panel)

The status indicator on the front panel of the device flashes in blue.

- 2. Long-press the menu button on the remote control for at least 2 seconds.**

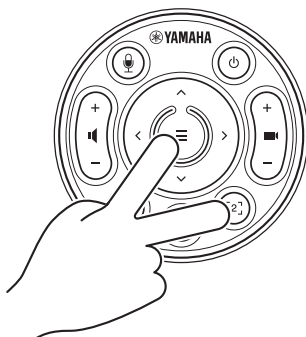


Pairing is finished after the status indicator on the front panel of the device lights up in blue for 3 seconds.

Specifying the necessary settings for using your own computer/smart device

Activation of the HDMI function/DisplayLink function/Bluetooth is necessary in order to use your own computer/smart device.

Long-press the menu button and camera preset 2 button on the remote control for at least 3 seconds.



Configuration is finished after the status indicator on the front panel of the device flashes in orange five times at a 0.5-second interval.

Installing the DisplayLink® driver

When using your own computer (page 9), it may be necessary to install the DisplayLink driver, depending on the connected computer.

Download the latest driver from displaylink.com/downloads.

Selecting the device on the computer

On your computer, select “Yamaha CS-800” as the default audio playback/recording device. Also, in your unified communications application, select CS-800 as the video/audio device.

Configuring the device from a TV screen (on-screen display menu)

The on-screen display menu is a feature that displays the device's settings menu on a TV screen. It can be operated with the remote control.

NOTE

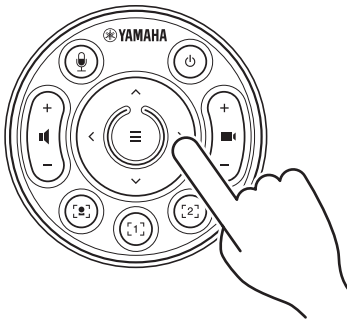
- This function can be used in a setup where the TV is connected to the CS-800 by using the HDMI cable. It cannot be used in a setup where the TV is connected to the computer by using the HDMI cable.
- In order to use this function, first follow the procedure in “Specifying the necessary settings for using your own computer/smart device” (page 13).

Using the settings menu

1. Press the menu button on the remote control.

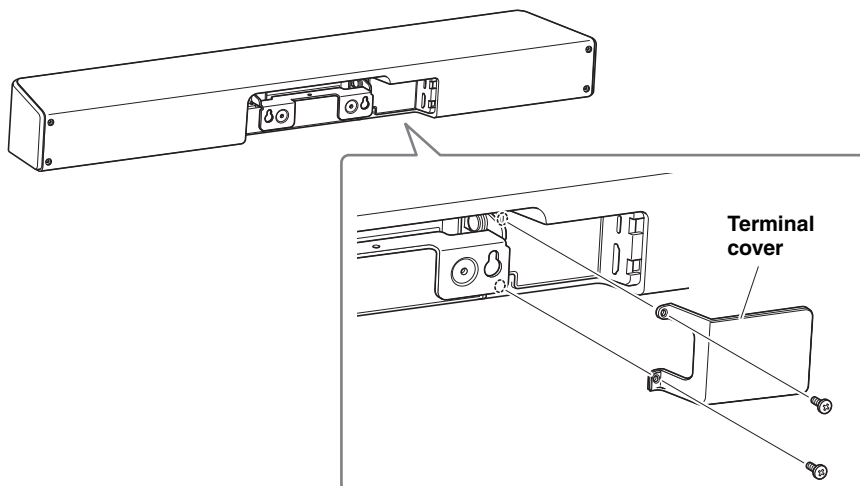
The settings menu appears on the TV.

2. Navigate with the pan/tilt button on the remote control.



Installing the terminal cover

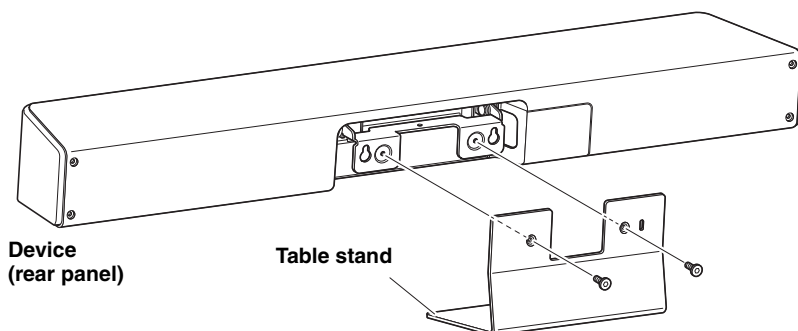
Attach the terminal cover to the device by using the included screws.



Installing the table stand

Attach the included table stand to the device.

- 1. Attach the table stand to the device by using the included screws.**



Installing the wall mounting bracket



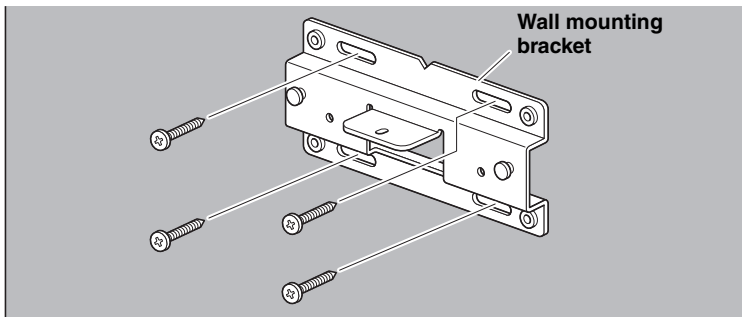
WARNING

- Be sure to have the mounting bracket installed by the dealer where you purchased the product or a professional contractor.
- After installation, make sure that the CS-800 is firmly secured. Also, regularly check that there is no possibility of the device falling or tipping over. We cannot be held responsible for accidents caused by incorrect installation.
- After installation, do not lean against the CS-800 or apply a strong force to it from above. If the device falls, injuries or damage may result.

Installing on a wall

This device can be mounted on a wall by using the included wall mounting bracket.

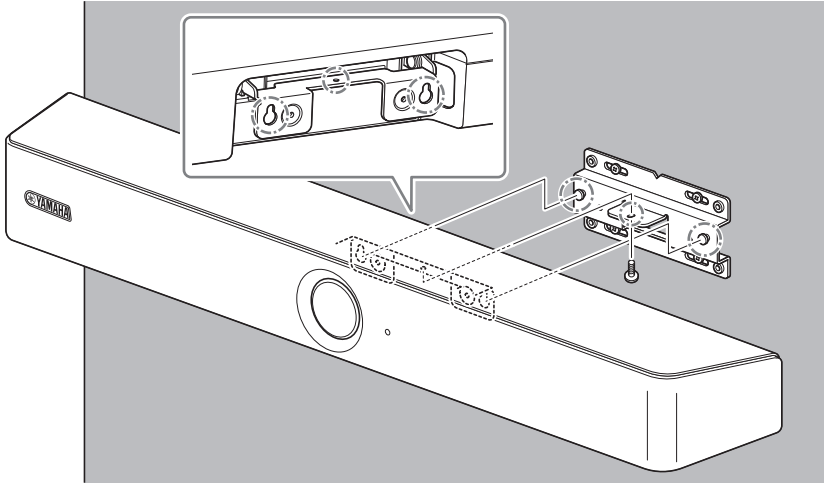
1. Attach the wall mounting bracket to the wall.



IMPORTANT

- Screws for attaching the wall mounting bracket to the wall are not included. Prepare screws that are strong enough.
- For details on screws and the installation, be sure to contact the dealer where you purchased the product or a professional contractor.

2. Hang the device on the bracket installed in step 1.

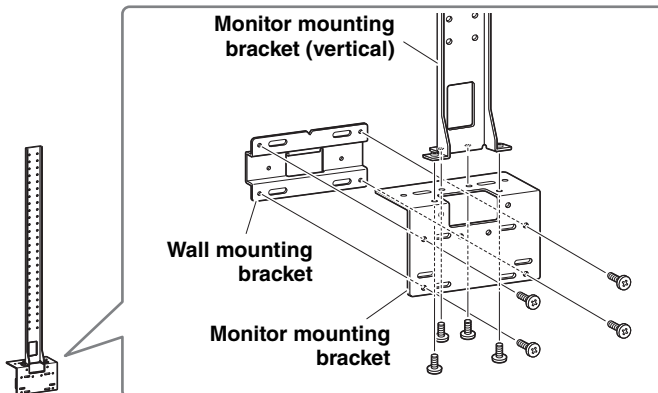


3. From the underside of the wall mounting bracket, secure the device by using the included screw.

Installing the monitor mounting bracket (VESA)

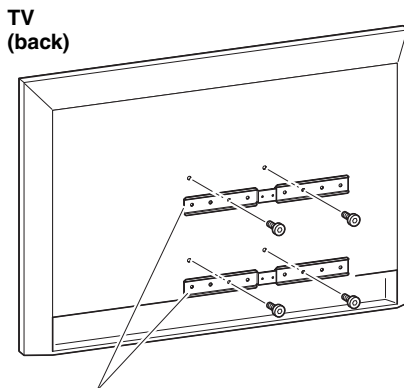
Attach the device to a TV by using monitor mounting bracket BRK-TV1 (sold separately). The following is an example of an installation that uses the screw holes in the TV and a TV stand.

1. Attach the monitor mounting bracket (vertical), monitor mounting bracket (for mounting onto wall mounting bracket) and the wall mounting bracket using the screws included with them.



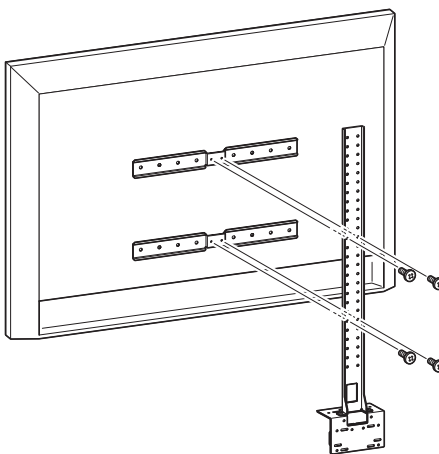
Installing the wall mounting bracket

2. Attach the two monitor mounting brackets (horizontal) to the TV by using the included screws.



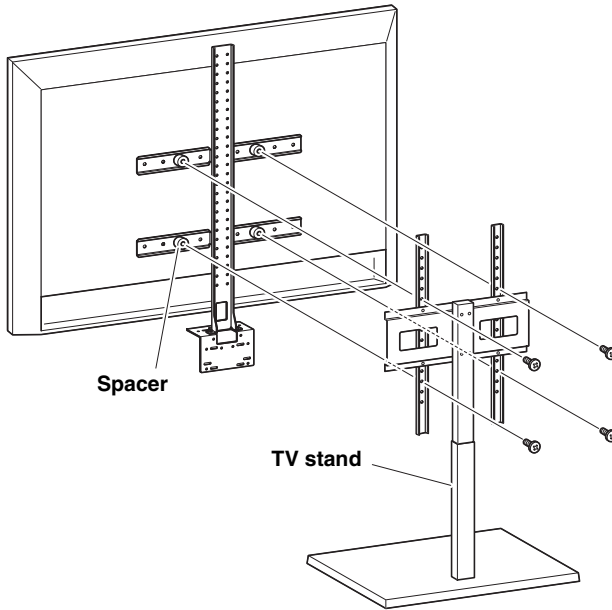
Monitor mounting bracket (horizontal)

3. Attach the brackets assembled in step 1 to the brackets installed in step 2.



IMPORTANT

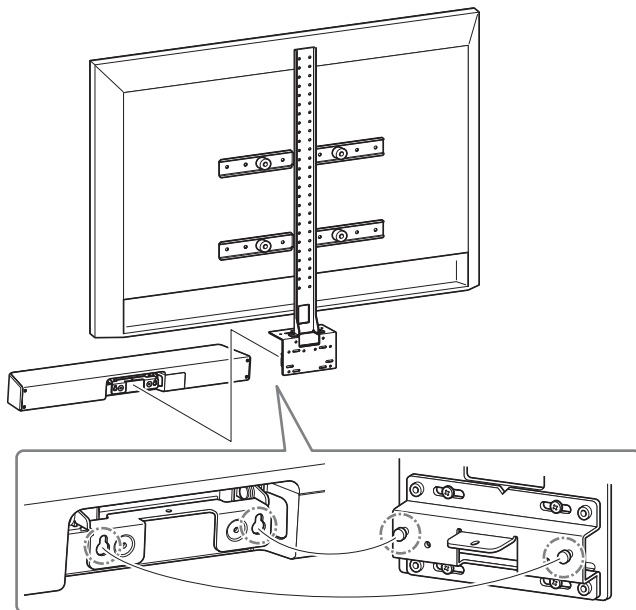
Choose the appropriate mounting position for the TV.

4. Attach to a TV stand.**IMPORTANT**

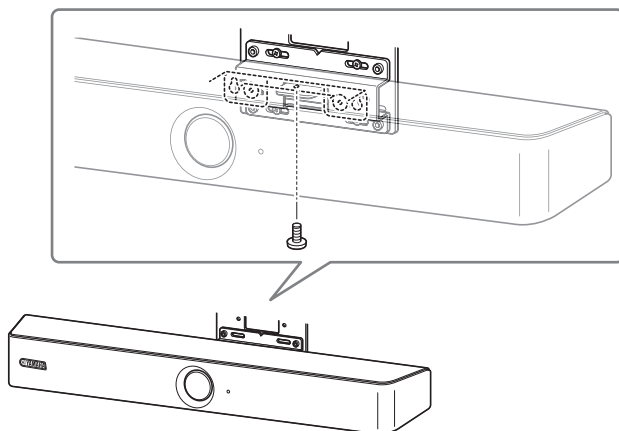
Depending on the configuration of the TV stand, also tightly secure the spacers included with monitor mounting bracket BRK-TV1 (sold separately).

Installing the wall mounting bracket

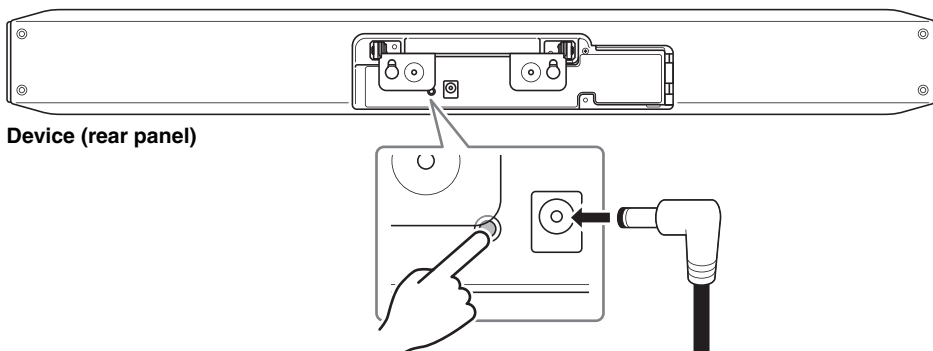
5. Hang the device on the wall mounting bracket installed in step 1.



6. From the underside of the device, secure it by using the included screw.




Returning to factory default settings (factory reset)



Device (rear panel)

To return the device to its factory default settings, start the device by connecting the power cable while holding down the [FUNCTION] button. After connecting the power cable, keep the [FUNCTION] button pressed for at least 5 seconds. When the status indicator on the front panel of the device changes from flashing orange to lit white, the device has been returned to its factory default settings.

Main specifications

Dimensions		620 mm (W) × 90 mm (D) × 70 mm (H)
Weight		1.7 kg
Power supply		20 V DC/2.1 A, CW2002100 (100 V – 240 V, 50 Hz/60 Hz) 
Maximum power consumption		42 W
Temperature	Operating	0 °C – 40 °C
	Storage	–20 °C – 60 °C
Humidity	Operating	20% – 85% (non-condensing)
	Storage	20% – 85% (non-condensing)
Included items		CS-800 (device), Read this first, Safety Guide, Quick Guide (this manual), USB 2.0 cable (Type C-A), HDMI cable, lens cap, terminal cover, remote control, coin battery (CR2032) × 2, AC adaptor with power cord (CW2002100), table stand, wall mounting bracket, mounting screws, hexagonal wrench
Separately sold items		Monitor mounting bracket (VESA mounting accessory) BRK-TV1, fiber optic USB cables CBL-L10AC & CBL-L25AC



Inhalt

Einleitung	23
Über dieses Handbuch	23
Lieferumfang	24
Getrennt erhältliches Zubehör	24
Verfügbare Handbücher	25
Verfügbares Dienstprogramm	25
Firmware-Aktualisierung	25
Bedienelemente und Anschlüsse	26
Frontblende	26
Rückseite	27
Fernbedienung	28
Anschlüsse und Einrichtung	29
Einrichtungsbeispiele	29
Stromversorgung	31
Fernbedienungsbatterien einlegen/auswechseln	31
Gerät und Fernbedienung pairen	32
Notwendige Einstellungen für den Einsatz eines eigenen Computers/Smart-Geräts	33
Treiber DisplayLink® installieren	33
Gerät am Computer auswählen	33
Gerät über einen Fernsehbildschirm (Bildschirmanzeigemenü) konfigurieren	34
Einstellungsmenü benutzen	34
Anschlussabdeckung anbringen	35
Gestell anbringen	35
Wandhalterung montieren	36
Wandmontage	36
(VESA)-Bildschirmhalterung anbringen	37
Werkseinstellungen wiederherstellen (Initialisierung)	41
Wichtigste technische Daten	41

Vielen Dank für den Kauf eines CS-800 von Yamaha. Bei diesem Gerät handelt es sich um ein Videokonferenzsystem zum Abhalten von Telekonferenzen in Gesprächszimmern und Versammlungsräumen. Es kann als Audio-/Videogerät in einem vereinheitlichten Kommunikationssystem verwendet werden. Dieses Gerät ist mit einer hochwertigen Kamera, einem Mikrofon und einem Lautsprecher ausgestattet, um eine angenehme entfernte Zusammenarbeit zu ermöglichen.

Über dieses Handbuch

- Folgende Signalwörter weisen auf wichtige Informationen in vorliegendem Handbuch hin.

 WARNUNG	Dieser Inhalt weist auf „unmittelbares Risiko schwerer Verletzungen oder Todesgefahr“ hin.
 VORSICHT	Dieser Inhalt weist auf „ein Risiko schwerer Verletzungen“ hin.
ACHTUNG	Verweist auf Informationen, die zu beachten sind, um Gerätepannen, -schäden oder -störungen sowie Datenverluste zu verhindern.
WICHTIG	Verweist auf Informationen, die für eine ordnungsgemäße Bedienung und Benutzung des Geräts erforderlich sind.
HINWEIS	Verweist auf Informationen zur Bedienung und Benutzung. Lesen Sie diese nach Bedarf.

- Die Abbildungen in diesem Handbuch dienen lediglich zur Veranschaulichung.
- Die in dieser Anleitung erwähnten Firmen- und Produktnamen sind Warenzeichen bzw. eingetragene Warenzeichen der entsprechenden Firmen.
- Yamaha verbessert und aktualisiert die in diesem Gerät enthaltene Software kontinuierlich. Sie können die neueste Software von der Yamaha-Website herunterladen.
- Der Inhalt dieser Bedienungsanleitung gilt für die neuesten technischen Daten zum Zeitpunkt der Veröffentlichung. Das aktuelle Handbuch kann von der Yamaha-Website heruntergeladen werden.

Lieferumfang

- CS-800 (Gerät)
- Zuerst lesen
- Sicherheitsanleitung
- Kurzanleitung (vorliegende Anleitung)
- USB 2.0-Kabel (Typ C-A, 5 m)
- HDMI-Kabel (2 m)
- Fernbedienung
- Objektivdeckel
- Anschlussabdeckung
- Knopfzelle (CR2032) × 2
- Netzteil mit Netzkabel (CW2002100)
- Gestell
- Wandhalterung
- Schrauben
 - Anschlussabdeckungsschraube (2,5 mm × 8 mm) × 2
 - Sechskantschraube (M3 × 6 mm) für Gestell × 2
 - Sechskantschraube (M3 × 8 mm) für Wandhalterung × 1
- Sechskantschlüssel

Getrennt erhältliches Zubehör

- Bildschirmhalterung (Montagezubehör) BRK-TV1
Dies ist für die Montage des Geräts an der VESA-Halterung eines Fernsehers erforderlich.
- USB-Kabel: CBL-L10AC (10 m, CBL-L25AC (25 m)
Es handelt sich hierbei um Glasfaser-USB-Kabel. Sie kommen zum Einsatz, wenn Gerät und Computer voneinander entfernt sind. Sie unterstützen USB 3.2 Gen2 (Super Speed Plus) und können mit hohen Geschwindigkeiten von bis zu 10 Gbit/s kommunizieren.

HINWEIS

Die internationalen VESA-Standards definieren den Abstand zwischen den Bohrungen zum Anbringen von Videogeräten wie Fernsehern an Wandhalterungen und TV-Ständern.

Verfügbare Handbücher

Die Handbücher für dieses Gerät können im PDF-Format von der folgenden Website heruntergeladen werden.

Für USA und Kanada

<https://uc.yamaha.com/support/>

Für andere Länder

<https://download.yamaha.com/>

- Zuerst lesen (im Lieferumfang enthalten)
Beschreibt, was nach dem Kauf des Geräts zuerst zu tun ist.
- CS-800 Sicherheitsanleitung (im Lieferumfang enthalten)
Enthält die Vorsichtsmaßnahmen für den sicheren Einsatz des Geräts.
- CS-800 Kurzanleitung (vorliegende Anleitung, im Lieferumfang enthalten)
Enthält vornehmlich grundlegende Angaben zum Einsatz des Geräts wie etwa Teilebezeichnungen, Montage- und Einrichtungsvorgänge sowie Hinweise zu weiterführenden Informationen.
- CS-800 Bedienungsanleitung
Enthält ausführliche Angaben zum Einsatz des Geräts. Beschreibt außerdem, wie mit Yamaha CS Manager auf einem Computer das Gerät konfiguriert und bedient wird.

Verfügbares Dienstprogramm

Für dieses Gerät wird ein optionales Dienstprogramm angeboten. Ausführliche Angaben zu dieser Software finden sich in der CS-800 Bedienungsanleitung.

- Yamaha CS Manager
Mit dieser Software kann das Gerät von einem Computer aus konfiguriert und bedient werden.

Firmware-Aktualisierung

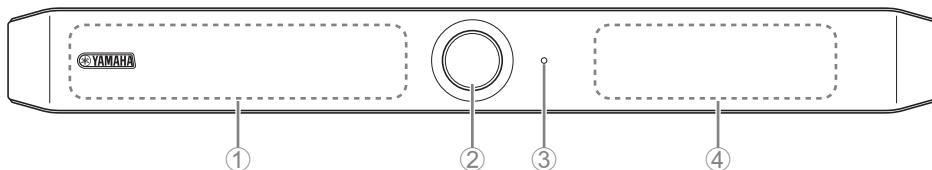
Die Firmware dieses Geräts kann aktualisiert werden, um die Bedienbarkeit zu verbessern, Funktionen hinzuzufügen und Probleme zu beheben.

Angaben zum Aktualisieren der Firmware finden sich auf der Yamaha-Website.

Einzelheiten zum Aktualisierungsablauf und Einrichten des Geräts finden sich in der CS-800 Bedienungsanleitung.

Bedienelemente und Anschlüsse

Frontblende



① Mikrofon

② Kamera

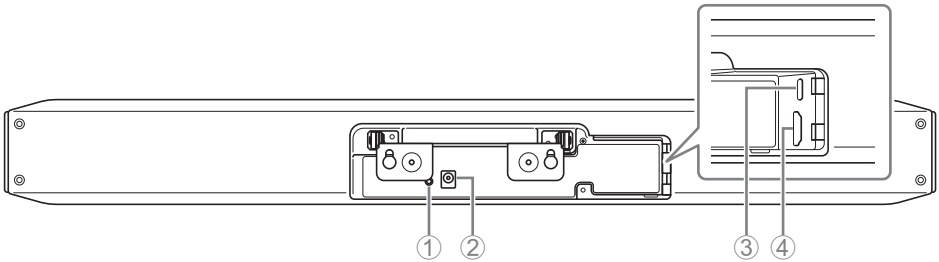
③ Statusanzeige

Zeigt den Status des Gerätes an.

Anzeigenstatus		Gerätestatus
Leuchtet weiß		Standby
Leuchtet hellblau		Kamera in Betrieb
Leuchtet grün		Während eines Rufs
Leuchtet rot		Mikrofon stumm geschaltet
Blinkt weiß	0,361 Mal/Sek.	Start
Leuchtet nicht		Ausgeschaltet; stromsparender Standby-Modus
Blinkt weiß	0,3 Mal/Sek.	Überwachung aus
Blinkt orange	1 Mal/Sek.	Wiederherstellung der Werkseinstellungen; Aktivierung der HDMI-Funktion/DisplayLink-Funktion/Bluetooth
Blinkt blau	1 Mal/Sek.	Pairing mit Fernbedienung oder Smart-Device
Leuchtet blau	3 Sekunden	Benachrichtigung über Abschluss des Fernbedienungs-Pairings
Blinkt grün	2 Mal/Sek.	Empfang eines Rufs
Blinkt rot	2,5 Mal/Sek.	Hardware-Fehler

④ Lautsprecher

Rückseite



① Taste [FUNCTION]

Zum Pairen des Geräts mit der Fernbedienung (Seite 32) oder Zurückstellen des Geräts auf die Werkseinstellungen (Seite 41).

② Buchse [DC-IN]

Anschluss des Netzteils. Nach dem Verbinden des Netzteils mit der Buchse [DC-IN] auf der Rückseite stecken Sie den Netzstecker in eine Steckdose.

Durch Anschließen des Netzteils wird das Gerät eingeschaltet.

③ Buchse [USB]- (Typ C)

Über diese Buchse kann das Gerät mit einem Computer verbunden werden.

Dies ermöglicht ein Anzeigen des Computerbildschirms und Einrichten des Geräts.

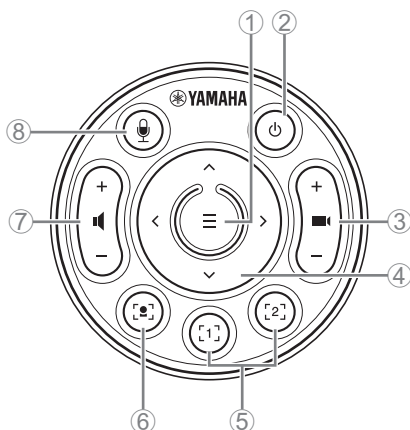
Verwenden Sie für diese Verbindung das zugehörige USB-Kabel (Typ C-A). Einzelheiten über die Geräteeinstellungen finden sich in der CS-800 Bedienungsanleitung.

④ Buchse [HDMI]

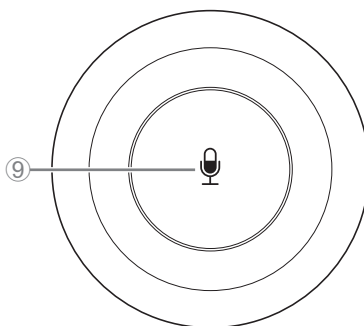
Über diese Buchse kann das Gerät mit einem TV verbunden werden.

Dadurch kann das TV den Bildschirm des mit der Buchse [USB] verbundenen Computers und die Bildschirmanzeige des Geräts anzeigen.

Fernbedienung



Oberseite



Unterseite

① Menütaste

Zum Anzeigen des Menüs auf dem TV oder zum Pairen des Geräts mit der Fernbedienung (Seite 32).

② Ein/Aus-Taste

Zum Einschalten/Schalten auf Standby des CS-800.

③ Kamera-Zoom-Taste

④ Schwenken/Neigen-Taste

⑤ Kamera-Preset-Taste 1/2

⑥ Smart-Bildeinstellungstaste

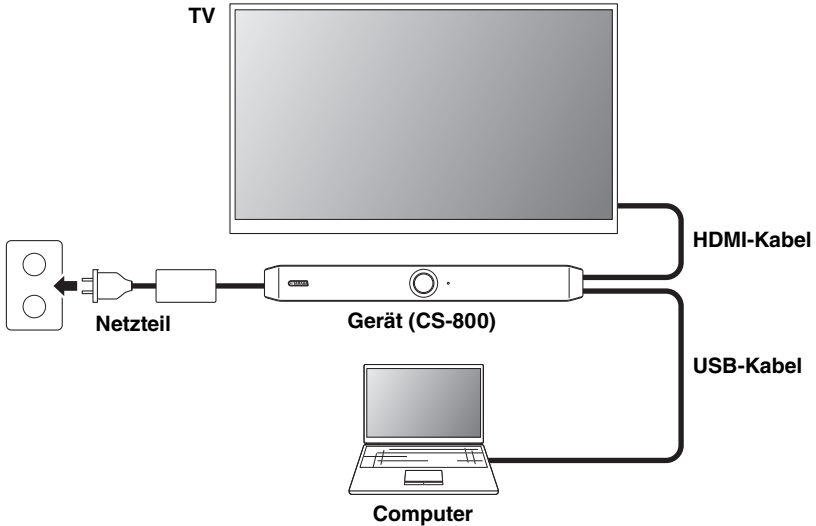
⑦ Lautsprecher-Lautstärketasten

⑧ ⑨ Mikrofon-Stummschalttaste

Einrichtungsbeispiele

■ Mit eigenem PC

Verwenden Sie diese Einrichtung, wenn ein Computer zum Videokonferenzort gebracht wird.



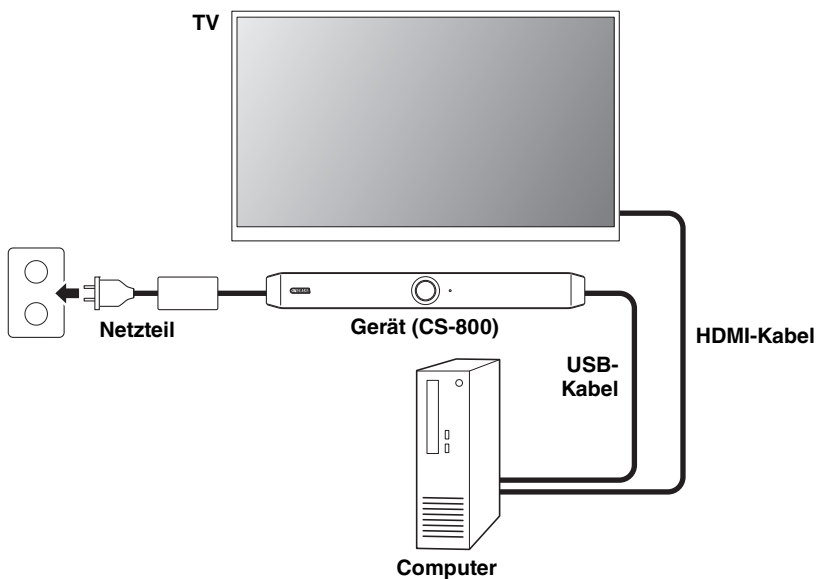
Verbinden Sie ein Ende des zugehörigen HDMI-Kabels mit der Buchse [HDMI] des Geräts und das andere Ende mit dem TV.

Verbinden Sie ein Ende des zugehörigen USB-Kabels mit der Buchs [USB] des Geräts und das andere Ende mit dem Computer.

Anschlüsse und Einrichtung

■ Mit PC im Versammlungsraum

Verwenden Sie diese Einrichtung, wenn sich am Videokonferenzort ein für diese Zwecke zugeordneter Computer oder Tablett befindet.

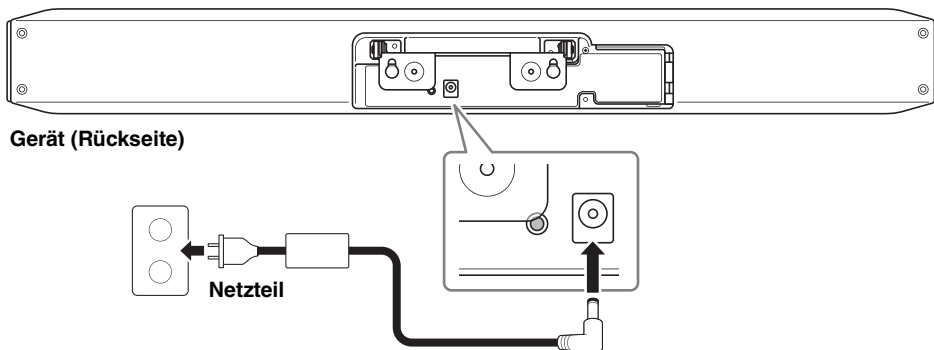


Verbinden Sie ein Ende des zugehörigen HDMI-Kabels mit dem Computer und das andere Ende mit dem TV.

Verbinden Sie ein Ende des zugehörigen USB-Kabels mit der Buchs [USB] des Geräts und das andere Ende mit dem Computer.

Stromversorgung

Verbinden Sie ein Ende des Netzteils mit der Buchs [DC-IN] des Geräts und das andere Ende mit einer Netzsteckdose.

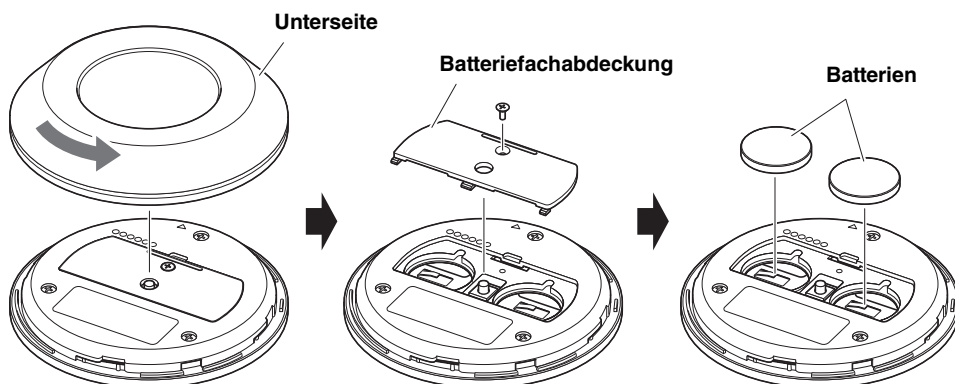


Durch Anschließen des Netzteils wird das Gerät eingeschaltet.

HINWEIS

Nach dem Anschließen der Stromversorgung kann das Gerät mit der Ein/Aus-Taste der Fernbedienung eingeschaltet oder auf Standby geschaltet werden.

Fernbedienungsbatterien einlegen/auswechseln

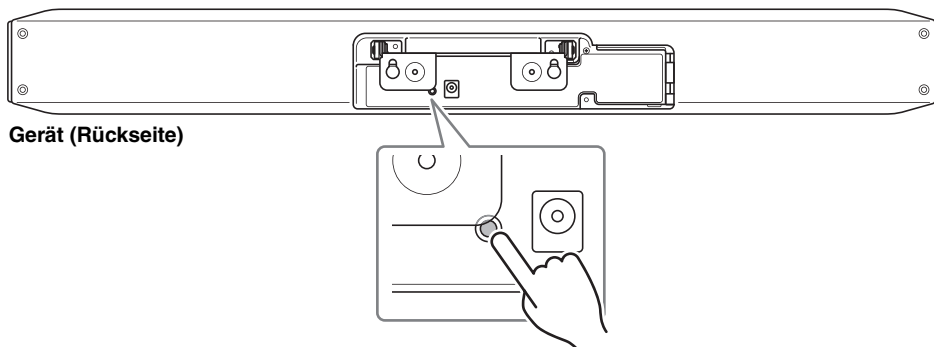


Nehmen Sie die Gehäuseunterseite und die Batteriefachabdeckung ab und legen Sie dann zwei Batterien (CR2032) ein.

Gerät und Fernbedienung pairen

Um das Gerät mit der Fernbedienung bedienen zu können, beide wie folgt pairen.

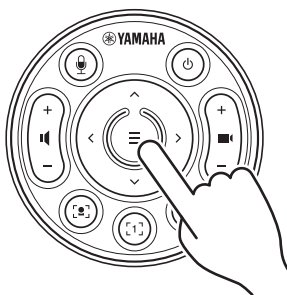
- 1. Halten Sie die Taste [FUNCTION] (auf der Rückseite des Geräts) mindestens 2 Sekunden lang gedrückt.**



Gerät (Rückseite)

Die Statusanzeige an der Frontblende des Geräts blinkt blau.

- 2. Halten Sie die Menütaste der Fernbedienung mindestens 2 Sekunden lang gedrückt.**



Das Pairing ist abgeschlossen, wenn die Statusanzeige an der Frontblende des Geräts 3 Sekunden lang blau gelehuchtet hat.

Notwendige Einstellungen für den Einsatz eines eigenen Computers/Smart-Geräts

Für den Einsatz eines eigenen Computers/Smart-Geräts müssen die HDMI-Funktion/DisplayLink-Funktion/Bluetooth aktiviert werden.

Halten Sie die Menütaste und Kamera-Preset-Taste 2 der Fernbedienung mindestens 3 Sekunden lang gedrückt.



Die Konfiguration ist abgeschlossen, wenn die Statusanzeige auf der Frontblende des Geräts fünfmal im Abstand von 0,5 Sekunden orange geblinkt hat.

Treiber DisplayLink® installieren

Wird ein eigener Computer (Seite 29) eingesetzt, kann es ggf. erforderlich sein, den Treiber DisplayLink zu installieren.

Laden Sie den neuesten Treiber von displaylink.com/downloads herunter.

Gerät am Computer auswählen

Wählen Sie auf dem Computer „Yamaha CS-800“ als Standardgerät für die Audiowiedergabe/-aufnahme aus. Wählen Sie außerdem in Ihrem vereinheitlichten Kommunikationssystem CS-800 als Video-/Audiogerät aus.

Gerät über einen Fernsehbildschirm (Bildschirmanzeigemenü) konfigurieren

Mit dem Bildschirmanzeigemenü kann das Einstellungs Menü des Geräts auf einem Fernsehbildschirm angezeigt. Die Bedienung kann über die Fernbedienung erfolgen.

HINWEIS

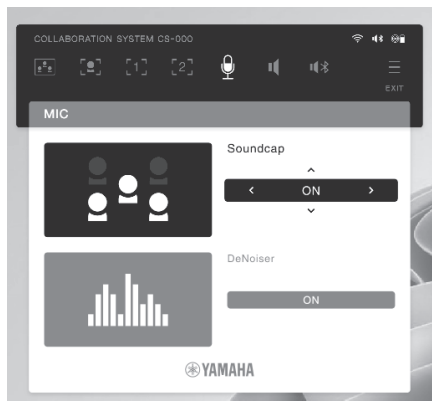
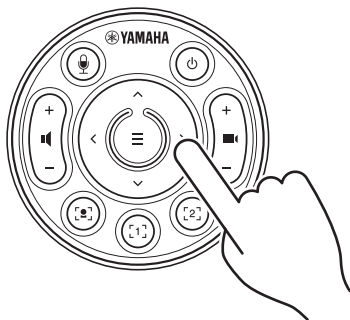
- Diese Funktion ist in einer Anwendung einsetzbar, wo das TV über das HDMI-Kabel mit dem CS-800 verbunden ist – nicht in einer Anwendung, wo das TV über das HDMI-Kabel mit dem Computer verbunden ist.
- Um diese Funktion einsetzen zu können, führen Sie zuerst den Vorgang unter „Notwendige Einstellungen für den Einsatz eines eigenen Computers/Smart-Geräts“ (Seite 33) aus.

Einstellungsmenü benutzen

1. Drücken Sie die Menütaste auf der Fernbedienung.

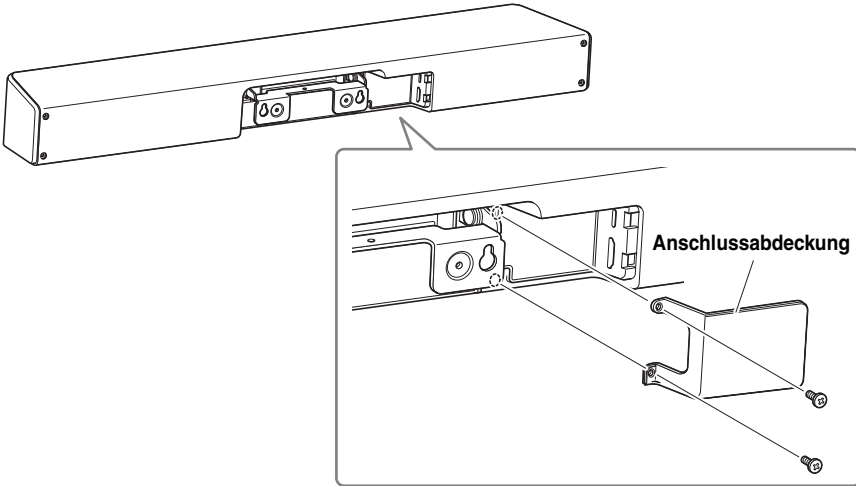
Das Einstellungsmenü wird auf dem TV angezeigt.

2. Navigieren Sie mit der Schwenken/Neigen-Taste der Fernbedienung.



Anschlussabdeckung anbringen

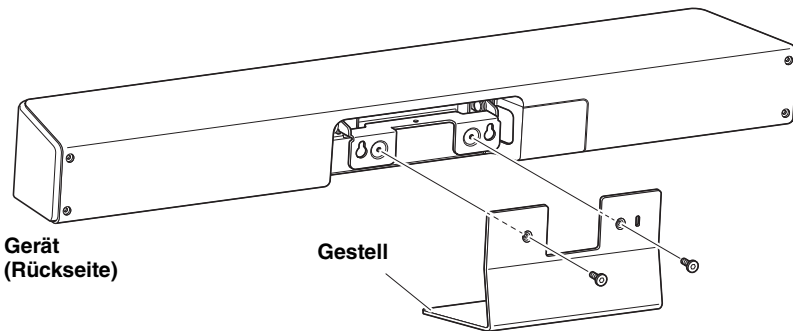
Befestigen Sie die Anschlussabdeckung mit den zugehörigen Schraube am Gerät.



Gestell anbringen

Befestigen Sie das zugehörige Gestell am Gerät.

1. Befestigen Sie das Gestell mit den zugehörigen Schraube am Gerät.



Wandhalterung montieren



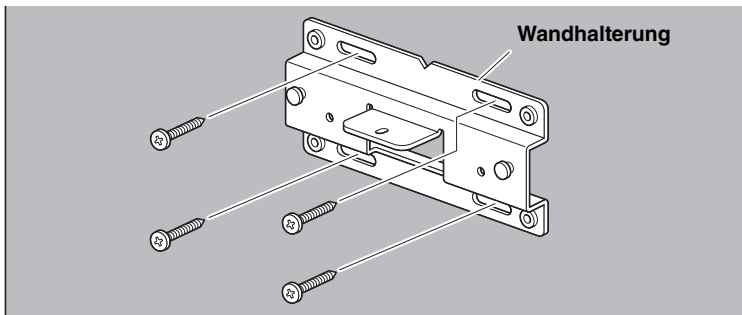
WARNUNG

- Lassen Sie die Halterung durch den Händler, bei dem Sie das Gerät erworben haben, oder einen Fachmann montieren.
- Stellen Sie nach der Montage sicher, dass das CS-800 fest montiert ist. Prüfen Sie außerdem regelmäßig, dass das Gerät nicht abstürzen oder umkippen kann. Wir übernehmen keine Verantwortung für Unfälle, die durch unsachgemäße Montage verursacht wurden.
- Lehnen Sie sich nicht an das montierte CS-800 und setzen Sie es keinem Druck an der Oberseite aus. Das Gerät könnte beim Abstürzen Verletzungen oder Schäden verursachen.

Wandmontage

Dieses Gerät kann mit der zugehörigen Wandhalterung an einer Wand montiert werden.

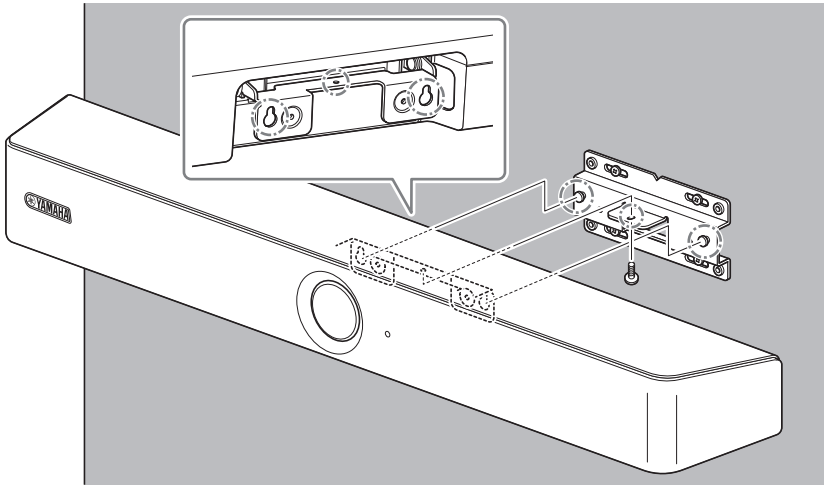
1. Montieren Sie die Wandhalterung an der Wand.



WICHTIG

- Schrauben zum Montieren der Wandhalterung sind nicht im Lieferumfang enthalten. Bereiten Sie ausreichend starke Schrauben vor.
- Für Einzelheiten zu Schrauben und Montage wenden Sie sich bitte an den Händler, bei dem Sie das Gerät erworben haben, oder einen Fachmann.

2. Hängen Sie das Gerät an die in Schritt 1 montierte Halterung.

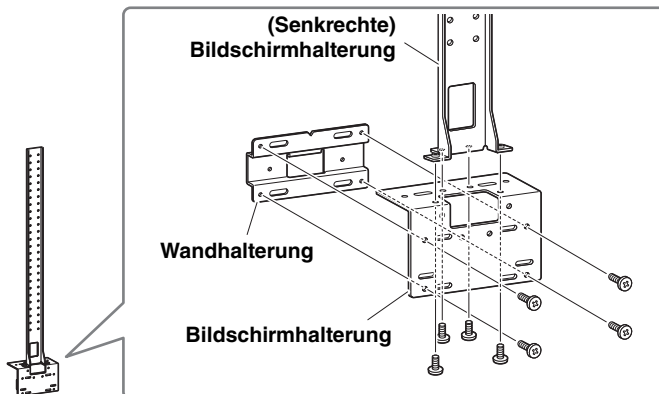


3. Befestigen Sie das Gerät von der Unterseite der Wandhalterung mit den zugehörigen Schraube.

(VESA)-Bildschirmhalterung anbringen

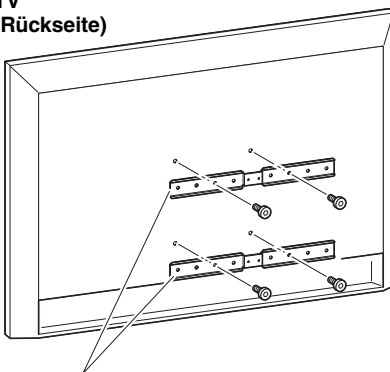
Befestigen Sie das Gerät mithilfe der (getrennt erhältlichen) Bildschirmhalterung BRK-TV1 an einem TV. Im folgenden Montagebeispiel werden die Bohrungen im TV und in der Bildschirmhalterung verwendet.

1. Bringen Sie die (senkrechte) Bildschirmhalterung, die Bildschirmhalterung (zur Befestigung an der Wandhalterung) und die Wandhalterung mit den zugehörigen Schrauben an.



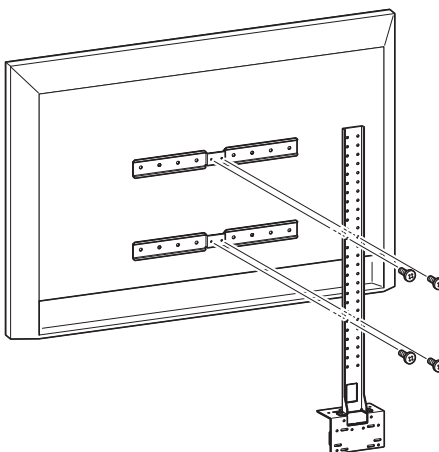
- 2. Bringen Sie die beiden (waagerechten) Bildschirmhalterungen mit den zugehörigen Schrauben am TV an.**

TV
(Rückseite)



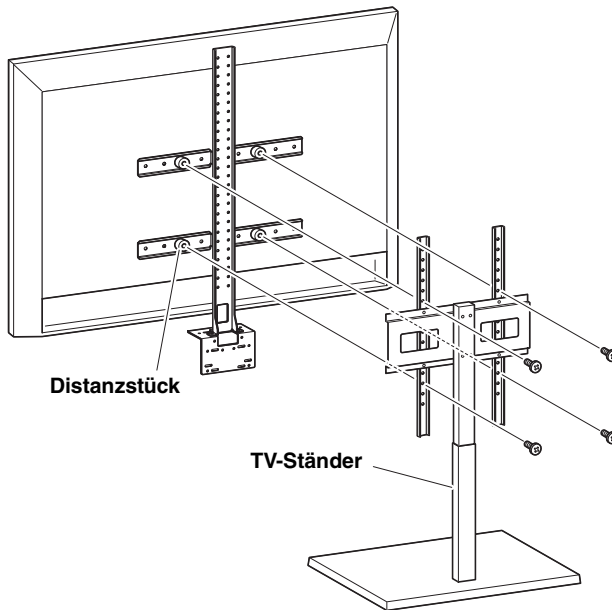
(Waagerechte) Bildschirmhalterung

- 3. Befestigen Sie die in Schritt 1 zusammengebauten Halterungen an den in Schritt 2 angebrachten Halterungen.**



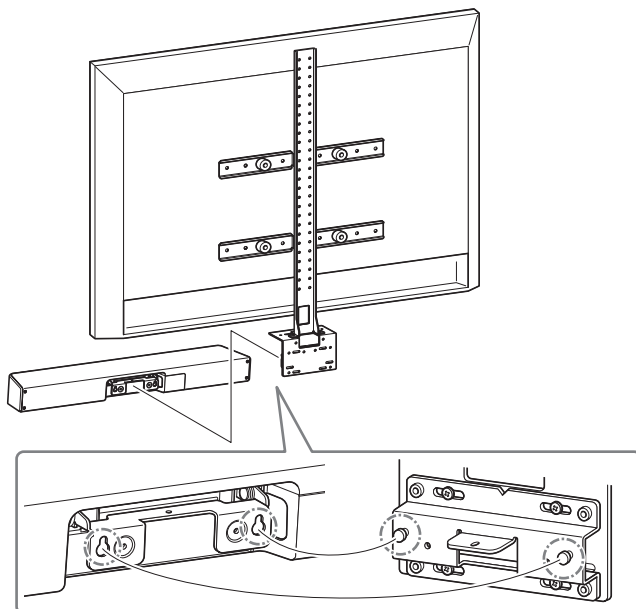
WICHTIG

Wählen Sie eine geeignete TV-Montageposition.

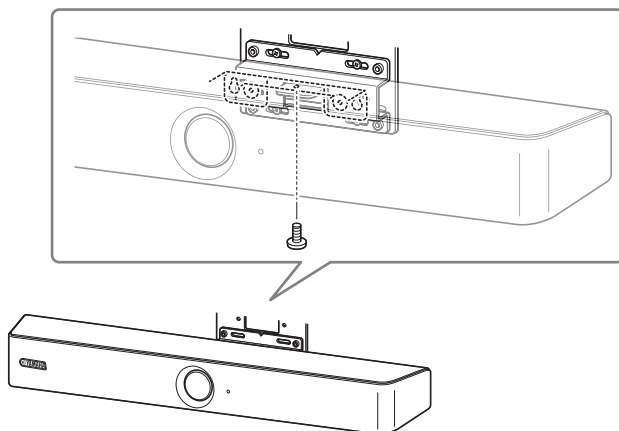
4. Bringen Sie den TV-Ständer an.**WICHTIG**

Bringen Sie je nach der Konfiguration des TV-Ständers auch die Distanzstücke im Lieferumfang der (getrennt erhältlichen) Bildschirmhalterung BRK-TV1 an.

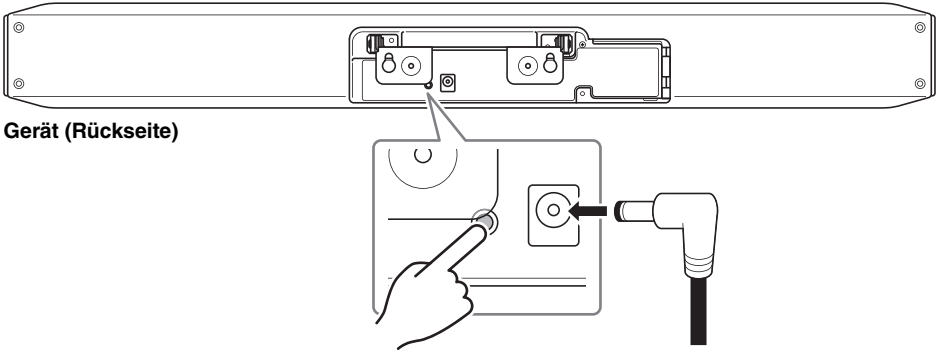
5. Hängen Sie das Gerät an die in Schritt 1 montierte Wandhalterung.



6. Befestigen Sie es von der Unterseite mit der zugehörigen Schraube.



Werkseinstellungen wiederherstellen (Initialisierung)



Gerät (Rückseite)

Zum Wiederherstellen der Werkseinstellungen des Geräts starten Sie das Gerät, indem Sie das Netzkabel bei gedrückt gehaltener Taste [FUNCTION] anschließen. Halten Sie nach Anschließen des Netzkabels die Taste [FUNCTION] mindestens 5 Sekunden lang gedrückt. Die Werkseinstellungen des Geräts wurden wiederhergestellt, wenn die Statusanzeige an der Vorderseite von orange blinkend auf weiß leuchtend wechselt.

Wichtigste technische Daten

Abmessungen	620 mm (B) × 90 mm (T) × 70 mm (H)	
Gewicht	1,7 kg	
Stromversorgung	20 VDC/2,1 A, CW2002100 (100 V – 240 V, 50 Hz/60 Hz)	
Maximale Leistungsaufnahme	42 W	
Temperatur	Betrieb	0 °C – 40 °C
	Lagerung	–20 °C – 60 °C
Luftfeuchtigkeit	Betrieb	20% – 85% (nichtkondensierend)
	Lagerung	20% – 85% (nichtkondensierend)
Lieferumfang	CS-800 (Gerät), Zuerst lesen, Sicherheitsanleitung, (vorliegende) Kurzanleitung, USB 2.0-Kabel (Typ C-A), HDMI-Kabel, Objektivdeckel, Anschlussabdeckung, Fernbedienung, Knopfzelle (CR2032) × 2, Netzteil mit Netzkabel (CW2002100), Gestell, Wandhalterung, Schrauben, Sechskantschlüssel	
Getrennt erhältliches Zubehör	Bildschirmhalterung (VESA-Montagezubehör) BRK-TV1, Glasfaser-USB-Kabel CBL-L10AC und CBL-L25AC	

Table des matières



Introduction	43
À propos de ce manuel	43
Éléments inclus dans l'emballage	44
Accessoires disponibles en option	44
Manuels disponibles	45
Logiciel utilitaire disponible	45
Mise à jour du micrologiciel	45
Commandes et connecteurs	46
Panneau avant	46
Panneau arrière	47
Télécommande	48
Connexions et configuration	49
Exemples de configuration	49
Alimentation	51
Mise en place des piles dans la télécommande	51
Appariement de l'appareil à la télécommande	52
Définir les réglages nécessaires pour utiliser votre ordinateur/dispositif intelligent	53
Installation du pilote DisplayLink®	53
Sélection de l'appareil sur l'ordinateur	53
Configuration de l'appareil depuis un écran de téléviseur (menu d'affichage sur écran)	54
Utilisation du menu des réglages	54
Mise en place du cache-borne	55
Montage du support de table	55
Mise en place du support de montage mural	56
Montage mural	56
Installation du support de montage pour moniteur (VESA)	57
Initialisation des réglages de l'appareil	61
Spécifications principales	61

Introduction

Nous vous remercions d'avoir choisi le Yamaha CS-800. Ce produit est un système de vidéoconférence permettant des conférences à distance depuis des espaces et salles de réunion. Il peut être utilisé comme dispositif audio/vidéo en combinaison avec votre système de communication unifiée. Pour assurer une collaboration à distance efficace et agréable, cet appareil est équipé d'une caméra, d'un micro et d'un haut-parleur de haute qualité.

À propos de ce manuel

- Dans ce manuel, les informations importantes sont repérées par les intitulés suivants :

 AVERTISSEMENT	Ce contenu indique « un risque de blessures graves ou de mort ».
 ATTENTION	Ce contenu indique « un risque de blessures ».
AVIS	Indique des consignes que vous devez respecter afin d'éviter toute défaillance, dommage ou dysfonctionnement du produit et toute perte de données.
IMPORTANT	Indique des informations cruciales pour une utilisation et un fonctionnement corrects du produit.
NOTE	Indique des informations complémentaires liées à l'utilisation et au fonctionnement du produit. Ces informations sont fournies pour votre référence.

- Les illustrations figurant dans ce manuel servent uniquement à expliciter les instructions.
- Les noms de société et les noms de produit mentionnés dans ce manuel sont des marques commerciales ou des marques déposées de leurs sociétés respectives.
- Yamaha apporte régulièrement des améliorations et offre des mises à jour du logiciel inclus dans ce produit. Vous pouvez télécharger la version la plus récente du logiciel sur le site internet de Yamaha.
- Le contenu de ce manuel s'applique aux dernières spécifications en date au moment de la publication. Pour vous procurer la version la plus récente de ce manuel, surfez sur le site Internet de Yamaha et téléchargez le manuel électronique.

Éléments inclus dans l'emballage

- CS-800 (l'appareil)
- À lire au préalable
- Guide de sécurité
- Guide rapide (ce manuel)
- Câble USB 2.0 (de type C vers A, 5 m)
- Câble HDMI (2 m)
- Télécommande
- Cache-objectif
- Cache-borne
- Pile bouton (CR2032) × 2
- Adaptateur secteur avec cordon cordon d'alimentation (CW2002100)
- Support de table
- Support de montage mural
- Vis
 - Vis de cache-borne (2,5 mm × 8 mm) × 2
 - Vis hexagonale (M3 × 6 mm) pour support de table × 2
 - Vis hexagonale (M3 × 8 mm) pour support de montage mural × 1
- Clé hexagonale (Allen)

Accessoires disponibles en option

- Support de montage pour moniteur (accessoire de montage) BRK-TV1
Ce support est indispensable pour fixer l'appareil à un pied VESA pour moniteur.
- Câbles USB : CBL-L10AC (10 mètres), CBL-L25AC (25 mètres)
Il s'agit de câbles USB en fibre optique. Ils sont utilisés quand l'appareil et l'ordinateur sont séparés. Ces câbles adoptent la norme USB 3.2 Gen2 (« SuperSpeed Plus ») et permettent des débits de transfert élevés atteignant jusqu'à 10 Gb/s.

NOTE

La norme internationale VESA définit l'espace entre les orifices des vis pour le montage d'équipements vidéo comme des téléviseurs sur des supports muraux et pieds de téléviseur.

Manuels disponibles

Les manuels dédiés à ce produit peuvent être téléchargés au format PDF sur le site internet suivant.

États-Unis et Canada

<https://uc.yamaha.com/support/>

Autres pays

<https://download.yamaha.com/>

- À lire en priorité (fourni)
Ce document décrit les premières étapes à effectuer après l'achat du produit.
- Guide de sécurité du CS-800 (fourni)
Ce document décrit les précautions à observer pour une utilisation sûre du produit.
- Guide rapide du CS-800 (ce manuel, fourni)
Ce document fournit essentiellement des informations élémentaires en vue de l'utilisation de ce produit, comme le nom des éléments, les instructions de montage et de configuration, ainsi que d'autres sources d'informations apparentées.
- Guide de l'utilisateur du CS-800
Ce document fournit des informations détaillées sur l'utilisation de ce produit. Il décrit aussi l'utilisation du logiciel Yamaha CS Manager pour configurer et contrôler l'appareil sur votre ordinateur.

Logiciel utilitaire disponible

Un logiciel utilitaire est disponible en option pour ce produit. Pour plus de détails sur ce logiciel, voyez le Guide de l'utilisateur du CS-800.

- Yamaha CS Manager
Ce logiciel vous permet de configurer et contrôler l'appareil sur votre ordinateur.

Mise à jour du micrologiciel

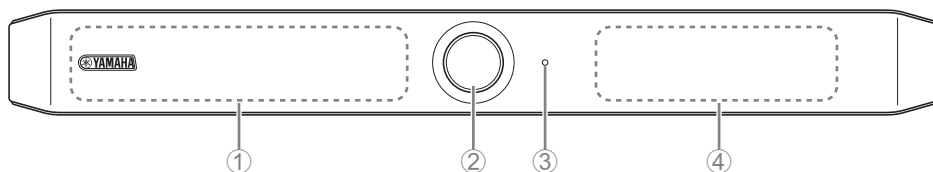
Ce produit est conçu pour permettre la mise à jour de son micrologiciel afin d'optimiser davantage ses fonctions, d'intégrer de nouvelles fonctions ou de résoudre d'éventuels problèmes.

Vous trouverez des informations sur la mise à jour du micrologiciel sur le site internet de Yamaha.

Pour des détails sur la procédure de mise à jour et la configuration de l'appareil, voyez le Guide de l'utilisateur du CS-800.

Commandes et connecteurs

Panneau avant



① Microphone

② Caméra

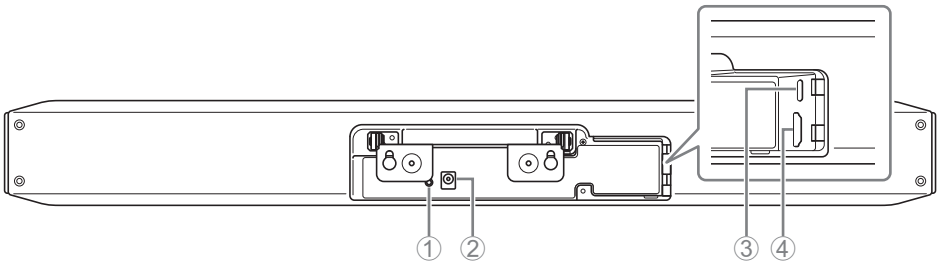
③ Témoin de statut

Indique le statut de l'appareil.

État du témoin		Statut de l'appareil
Blanc (allumé)		En veille
Bleu clair (allumé)		Caméra active
Vert (allumé)		Durant un appel
Rouge (allumé)		Microphone en sourdine
Blanc (clignotant)	0,361 fois/sec.	Démarrage
Éteint		Hors tension ; en veille
Blanc (clignotant)	0,3 fois/sec.	Fonction d'écoute désactivée
Orange (clignotant)	1 fois/sec.	Initialisation des réglages d'usine ; activation de la fonction HDMI/fonction DisplayLink/Bluetooth
Bleu (clignotant)	1 fois/sec.	Appariement à la télécommande ou un dispositif intelligent
Bleu (allumé)	3 secondes	Notification de succès d'appariement à la télécommande
Vert (clignotant)	2 fois/sec.	Appel entrant
Rouge (clignotant)	2,5 fois/sec.	Erreur liée au matériel

④ Haut-parleur

Panneau arrière



① Bouton [FUNCTION]

Il sert à appairer l'appareil avec la télécommande (page 52) ou à initialiser ses réglages (page 61).

② Prise [DC-IN]

Branchez l'adaptateur secteur à cette prise. Après avoir connecté la fiche de l'adaptateur secteur à la prise [DC-IN] au dos de l'appareil, branchez la fiche secteur à une prise de courant.

L'appareil est mis sous tension quand son adaptateur secteur est branché à la prise de courant.

③ Port [USB] (de type C)

Ce port sert à brancher l'appareil à un ordinateur.

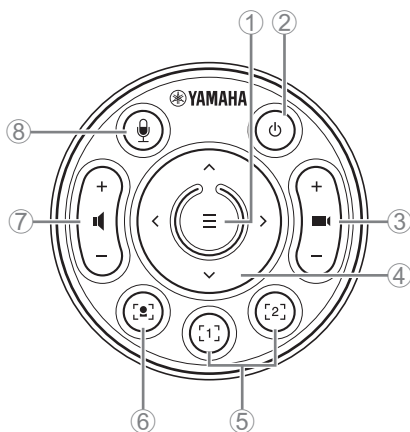
La connexion active l'affichage sur l'écran de l'ordinateur et permet la configuration de l'appareil. Effectuez cette connexion avec le câble USB (de type C vers A) fourni. Pour des détails sur la configuration de l'appareil, voyez le Guide de l'utilisateur du CS-800.

④ Port [HDMI]

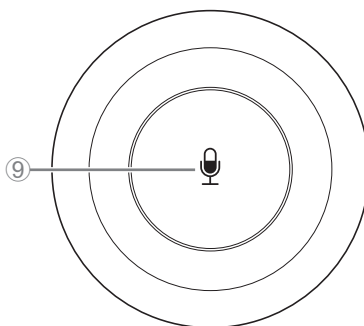
Ce port sert à brancher l'appareil à un téléviseur.

Cela permet d'afficher l'écran de l'ordinateur ainsi que l'affichage sur écran (OSD) de l'appareil sur le téléviseur connecté.

Télécommande



Dessus



Dessous

① Bouton de menu

Permet d'afficher le menu sur un téléviseur ou d'apparier l'appareil avec la télécommande (page 52).

② Bouton d'alimentation

Sert à mettre le CS-800 sous tension/en veille.

③ Bouton de zoom caméra

④ Bouton de panoramique/d'inclinaison

⑤ Boutons de presets caméra 1 & 2

⑥ Bouton de cadrage intelligent

⑦ Boutons de volume du haut-parleur

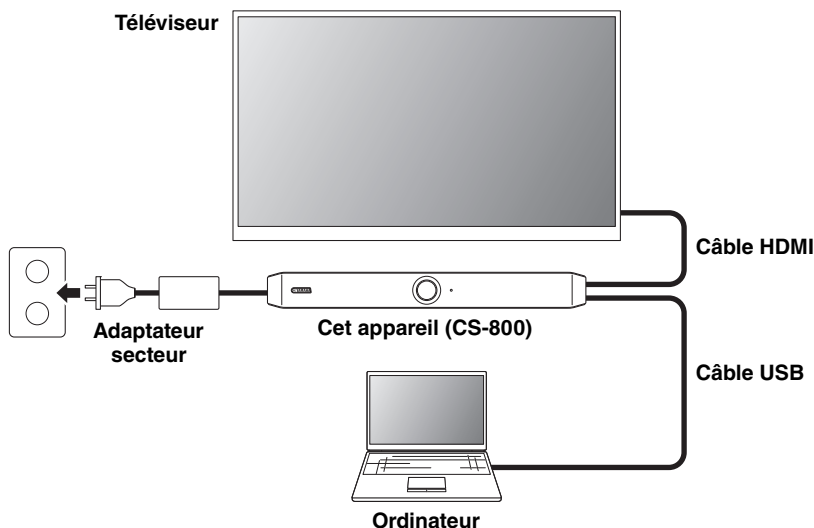
⑧ ⑨ Bouton de sourdine du microphone

Connexions et configuration

Exemples de configuration

■ Si vous utilisez votre ordinateur

Cette configuration convient pour un environnement de vidéoconférence ne disposant pas d'ordinateur fixe.

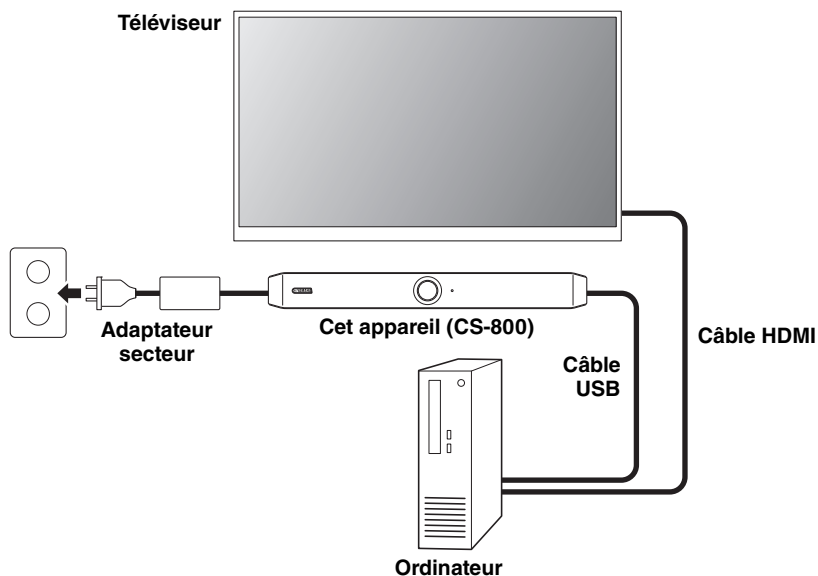


Branchez une extrémité du câble HDMI fourni au port [HDMI] de l'appareil et son autre extrémité au téléviseur.

Branchez une extrémité du câble USB fourni au port [USB] de l'appareil et son autre extrémité à l'ordinateur.

■ Si vous utilisez l'ordinateur de la salle de réunion

Cette configuration convient pour un environnement de vidéoconférence disposant d'une tablette ou d'un ordinateur dédié et configuré pour la vidéoconférence.

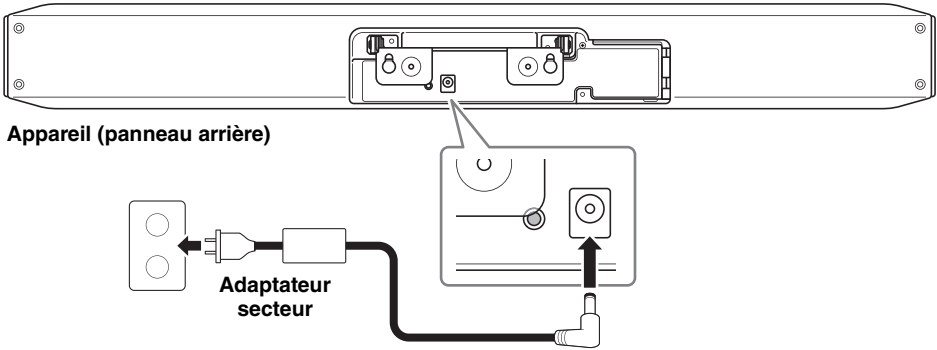


Branchez une extrémité du câble HDMI fourni à l'ordinateur et son autre extrémité au téléviseur.

Branchez une extrémité du câble USB fourni au port [USB] de l'appareil et son autre extrémité à l'ordinateur.

Alimentation

Branchez la fiche de l'adaptateur secteur à la prise [DC-IN] de l'appareil et son autre extrémité à une prise de courant.

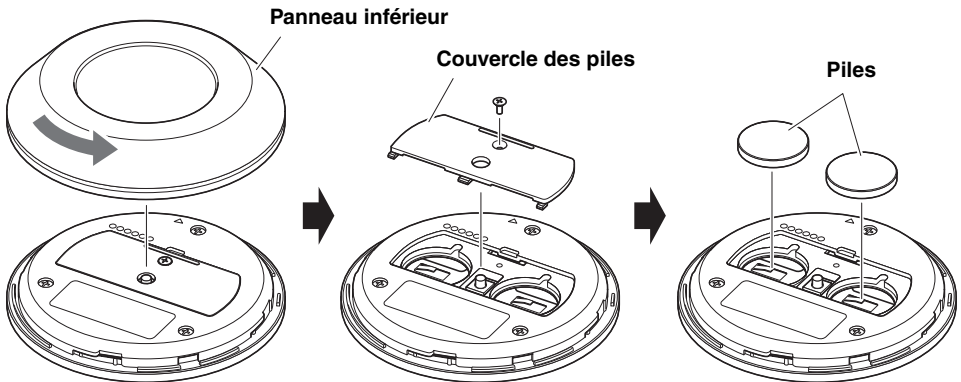


L'appareil est mis sous tension quand son adaptateur secteur est branché à la prise de courant.

NOTE

Une fois l'appareil branché au secteur, il peut être mis sous tension et en veille via le bouton d'alimentation de la télécommande.

Mise en place des piles dans la télécommande

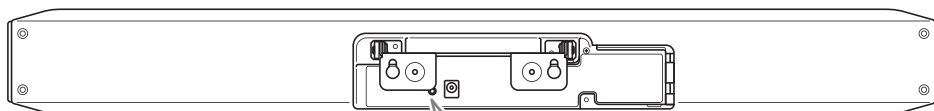


Retirez le panneau inférieur et le couvercle des piles, puis insérez deux piles (CR2032).

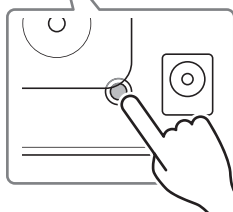
Appariement de l'appareil à la télécommande

Appariez l'appareil à la télécommande en suivant la procédure ci-dessous.

- 1. Appliquez une longue pression (au moins 2 secondes) sur le bouton [FUNCTION] (sur le panneau arrière de l'appareil).**

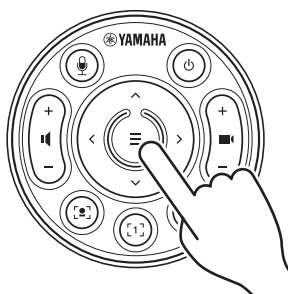


Appareil (panneau arrière)



Le témoin de statut sur le panneau avant de l'appareil clignote en bleu.

- 2. Appliquez une longue pression (au moins 2 secondes) sur le bouton de menu de la télécommande.**

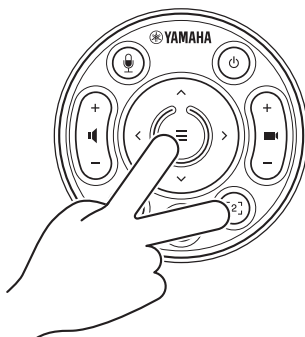


L'appariement est terminé une fois que le témoin de statut sur le panneau avant de l'appareil s'allume en bleu pendant 3 secondes.

Définir les réglages nécessaires pour utiliser votre ordinateur/dispositif intelligent

Vous devrez activer la fonction HDMI/fonction DisplayLink/Bluetooth pour pouvoir utiliser votre ordinateur/dispositif intelligent.

Appliquez une longue pression (au moins 3 secondes) sur le bouton de menu et le bouton de preset 2 de la télécommande.



La configuration est terminée une fois que le témoin de statut sur le panneau avant de l'appareil clignote cinq fois en orange à des intervalles de 0,5 seconde.

Installation du pilote DisplayLink®

Quand vous utilisez votre ordinateur (page 49), vous devrez peut-être, selon l'ordinateur envisagé, installer le pilote DisplayLink.

Téléchargez la version la plus récente du pilote sur le site displaylink.com/downloads.

Sélection de l'appareil sur l'ordinateur

Sélectionnez « Yamaha CS-800 » comme dispositif de lecture/d'enregistrement audio par défaut sur votre ordinateur. Sélectionnez en outre « CS-800 » comme dispositif vidéo/audio dans votre application de communication unifiée.

Configuration de l'appareil depuis un écran de téléviseur (menu d'affichage sur écran)

Le menu d'affichage sur écran est une fonction affichant le menu des réglages de l'appareil sur un écran de téléviseur. La navigation dans ce menu se fait avec la télécommande.

NOTE

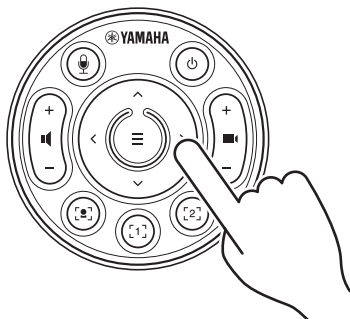
- Cette fonction est disponible à condition d'avoir connecté un téléviseur au CS-800 avec le câble HDMI. Elle n'est pas disponible si le téléviseur est connecté à l'ordinateur avec le câble HDMI.
- Pour permettre l'utilisation de cette fonction, effectuez d'abord la procédure décrite sous « Définir les réglages nécessaires pour utiliser votre ordinateur/dispositif intelligent » (page 53).

Utilisation du menu des réglages

1. Appuyez sur le bouton de menu de la télécommande

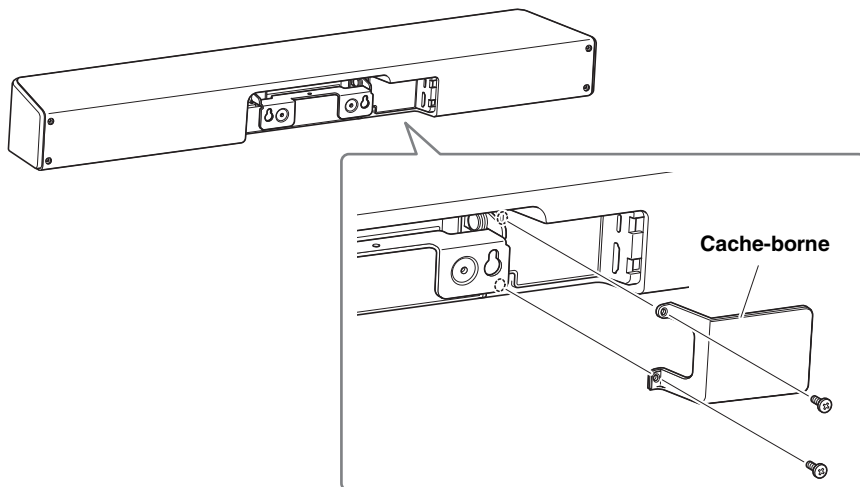
Le menu des réglages s'affiche sur le téléviseur.

2. Naviguez dans le menu avec le bouton de panoramique/d'inclinaison de la télécommande.



Mise en place du cache-borne

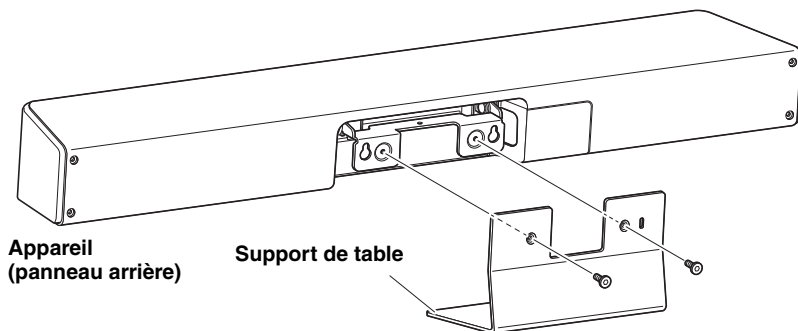
Fixez le cache-borne sur l'appareil à l'aide des vis fournies.



Montage du support de table

Fixez le support de table fourni à l'appareil.

1. Fixez le support de table à l'appareil à l'aide des vis fournies.



Mise en place du support de montage mural



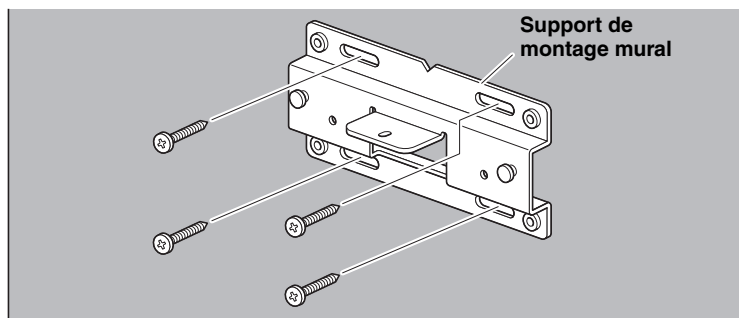
AVERTISSEMENT

- Veillez à confier l'installation du support de montage mural au revendeur à qui vous avez acheté ce produit, ou à un installateur agréé.
- Après l'installation, assurez-vous que le CS-800 est stable et correctement fixé. Vérifiez en outre régulièrement que l'appareil est stable et ne risque pas de se renverser ou de tomber. Nous déclinons toute responsabilité pour tout accident causé par un montage incorrect de l'appareil.
- Quand le CS-800 est en place, ne reposez jamais votre poids contre l'appareil et n'appliquez jamais aucune pression sur son dessus. Une chute de l'appareil peut causer des blessures ou des dommages.

Montage mural

Vous pouvez monter cet appareil sur un mur en utilisant le support de montage mural fourni.

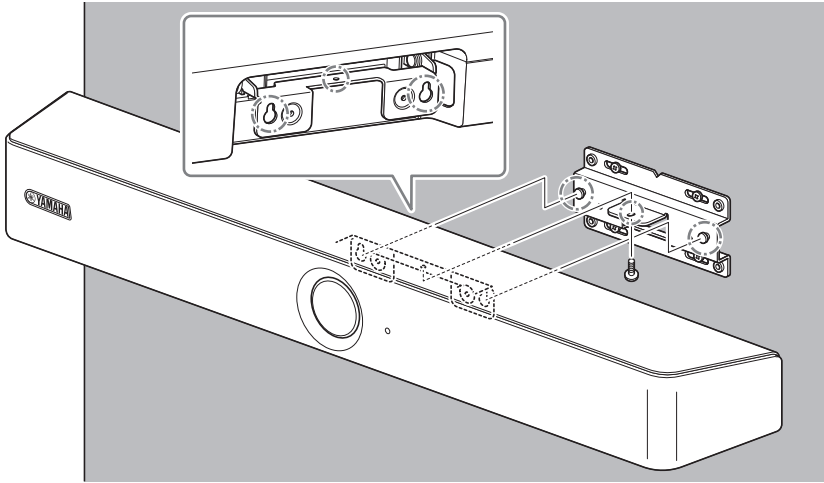
1. Fixez le support de montage mural sur le mur.



IMPORTANT

- Les vis de fixation du support de montage mural au mur ne sont pas fournies. Veillez à vous procurer des vis suffisamment solides.
- Pour des informations sur les vis et le montage, veuillez à prendre contact avec le point de vente où vous avez acheté l'appareil, ou un installateur agréé.

2. Fixez l'appareil au support mural installé à l'étape 1.

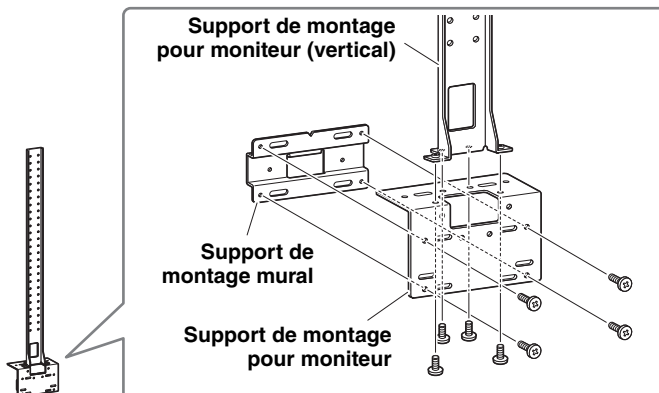


3. Fixez l'appareil sur son support mural en vissant la vis fournie sur le dessous du support de montage mural.

Installation du support de montage pour moniteur (VESA)

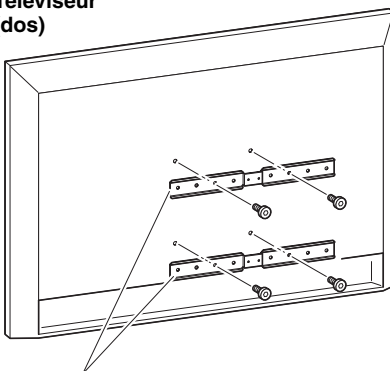
Fixez l'appareil à un téléviseur avec le support de montage pour moniteur BRK-TV1 (disponible en option). Voici un exemple de montage via les orifices des vis de montage du téléviseur et d'un pied pour téléviseur.

1. Fixez le support de montage pour moniteur (vertical), le support de montage pour moniteur (pour le montage sur le support de montage mural) et le support de montage mural avec les vis de montage fournies avec ces éléments.



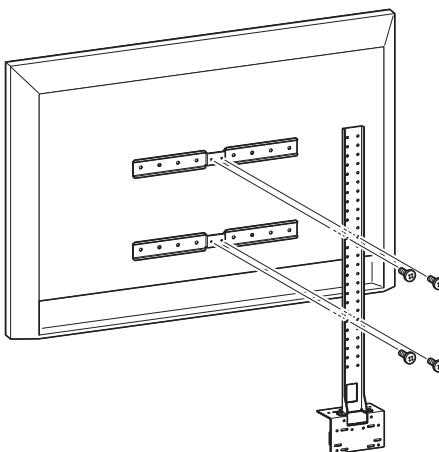
2. Fixez les deux supports de montage pour moniteur (horizontaux) au téléviseur avec les vis de montage fournies.

Téléviseur
(dos)



Support de montage pour moniteur (horizontal)

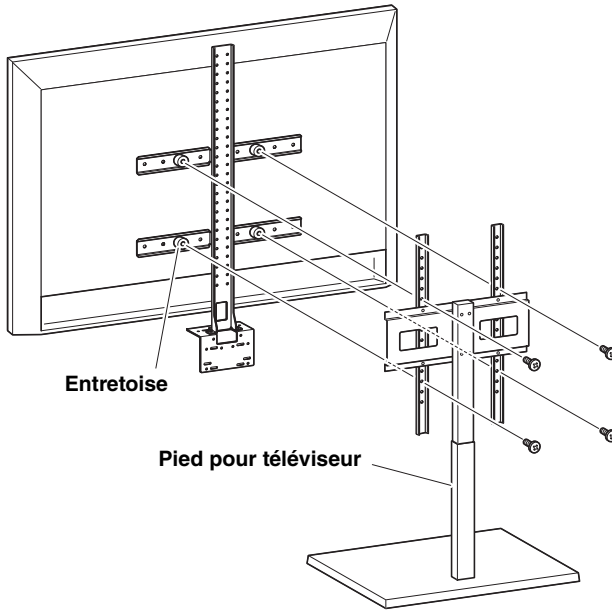
3. Fixez les supports de montage assemblés à l'étape 1 aux supports de montage installés à l'étape 2.



IMPORTANT

Choisissez la position de montage du téléviseur correspondant le mieux à votre environnement.

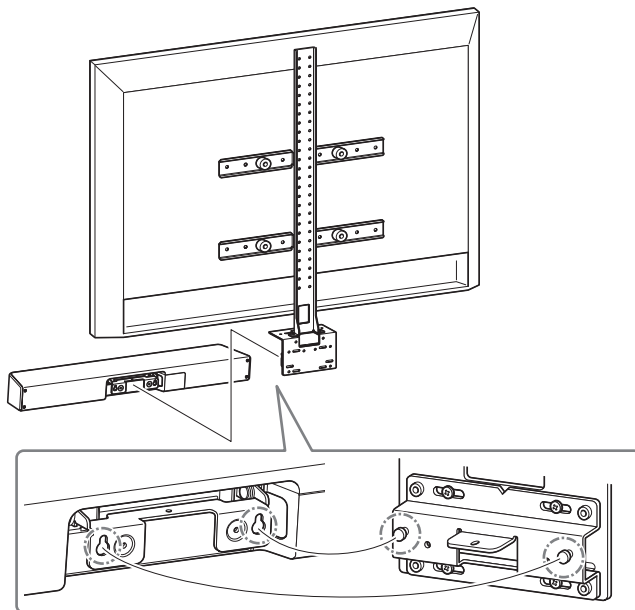
4. Fixez l'ensemble à un pied pour téléviseur.



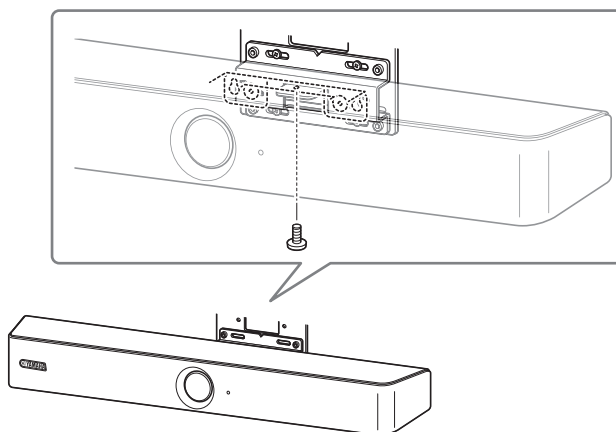
IMPORTANT

Selon la configuration du pied pour téléviseur, fixez aussi fermement les entretoises fournies avec le support de montage pour moniteur BRK-TV1 (disponible en option).

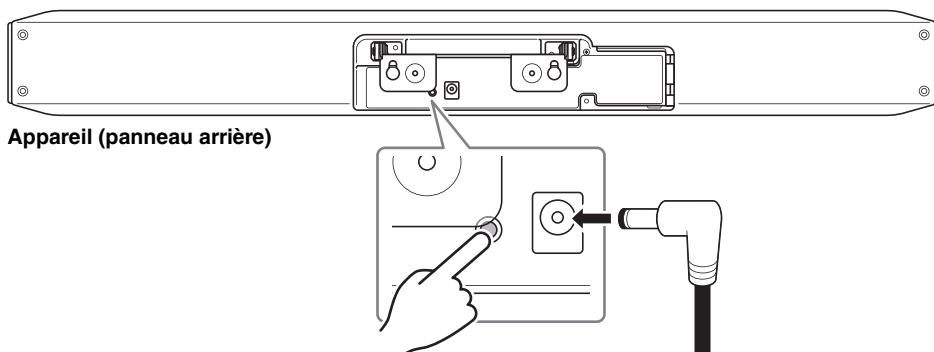
5. Fixez l'appareil au support mural installé à l'étape 1.



6. Fixez l'appareil au support mural en vissant la vis fournie sur le dessous de l'appareil.




Initialisation des réglages de l'appareil



Appareil (panneau arrière)

Pour initialiser l'appareil et recharger ses réglages d'usine, maintenez le bouton [FUNCTION] enfoncé et branchez l'adaptateur secteur de l'appareil. Veillez à maintenir le bouton [FUNCTION] enfoncé pendant au moins 5 secondes après avoir branché l'adaptateur secteur. Quand le témoin de statut sur le panneau avant de l'appareil cesse de clignoter en orange et s'allume en blanc, l'initialisation des réglages de l'appareil est terminée.

Spécifications principales

Dimensions		620 mm (L) × 90 mm (P) × 70 mm (H)
Poids		1,7 kg
Alimentation		20 V DC/2,1 A, CW2002100 (100 V à 240 V, 50/60 Hz) 
Consommation maximale		42 W
Température	D'utilisation	0 °C à 40 °C
	Remisage	-20 °C à 60 °C
Humidité	D'utilisation	20% à 85% (sans condensation)
	Remisage	20% à 85% (sans condensation)
Éléments inclus dans l'emballage		CS-800 (l'appareil), À lire au préalable, Guide de sécurité, Guide rapide (ce manuel), câble USB 2.0 (de type C vers A), câble HDMI, cache-objectif, cache-borne, télécommande, pile bouton (CR2032) × 2, adaptateur secteur avec cordon d'alimentation (CW2002100), support de table, support de montage mural, vis de montage, clé hexagonale (Allen)
Accessoires disponibles en option		Support de montage pour moniteur (accessoire de montage VESA) BRK-TV1, câbles USB en fibre optique CBL-L10AC et CBL-L25AC

Contenido



Introducción	63
Acerca de este manual	63
Elementos incluidos.....	64
Elementos que se venden por separado	64
Manuales disponibles	65
Software de utilidades disponible	65
Actualización del firmware	65
Controles y conectores	66
Panel delantero.....	66
Panel trasero.....	67
Mando a distancia.....	68
Conexiones y configuración	69
Ejemplos de configuraciones.....	69
Fuente de alimentación.....	71
Introducir/reemplazar las pilas del mando a distancia	71
Emparejar el dispositivo y el mando a distancia	72
Especificación de los ajustes necesarios para utilizar su propio ordenador o dispositivo inteligente	73
Instalación del controlador (driver) DisplayLink®	73
Selección del dispositivo en el ordenador	73
Configuración del dispositivo desde la pantalla de un televisor (menú de visualización en pantalla)	74
Utilización del menú de ajustes	74
Instalación de la cubierta del terminal	75
Instalación del soporte de mesa	75
Instalación del soporte de montaje en pared	76
Instalación en una pared	76
Instalación del soporte de montaje para monitor (VESA)	77
Recuperación de los ajustes predeterminados de fábrica (restablecimiento de los valores de fábrica)	81
Especificaciones principales	81

Introducción

Gracias por adquirir el CS-800 de Yamaha. Este producto es un sistema de videoconferencia para realizar conferencias a distancia en espacios reducidos y salas de reuniones. Puede utilizarlo como dispositivo de audio/vídeo en combinación con su instalación de comunicaciones unificadas. Para que la colaboración a distancia resulte cómoda, este dispositivo está equipado con una cámara, un micrófono y un altavoz de alta calidad.

Acerca de este manual

- Este manual utiliza las siguientes palabras indicadoras para la información importante:

 ADVERTENCIA	Este contenido está relacionado con “riesgo de lesiones graves o muerte”.
 ATENCIÓN	Este contenido está relacionado con “riesgo de lesiones”.
AVISO	Indica contenido que debe cumplir para evitar fallos de funcionamiento, daños o un funcionamiento incorrecto del producto, así como para evitar la pérdidas de datos.
IMPORTANTE	Indica contenido que debe conocer para operar y utilizar el producto correctamente.
NOTA	Indica información relacionada con el funcionamiento y el uso. Lea este contenido como referencia.

- Las ilustraciones que se muestran en este manual son únicamente orientativas.
- Los nombres de empresas y productos utilizados en este manual son marcas comerciales o marcas comerciales registradas de sus respectivos titulares.
- Yamaha realiza constantemente mejoras y actualizaciones del software incluido en este producto. Puede descargar el software más reciente en el sitio web de Yamaha.
- El contenido de este manual es aplicable a las especificaciones más recientes en la fecha de publicación. Para obtener el manual más reciente, acceda al sitio web de Yamaha y descargue el archivo del manual.

Elementos incluidos

- CS-800 (dispositivo)
- Leer primero
- Guía de seguridad
- Guía rápida (este manual)
- Cable USB 2.0 (tipo C-A, 5 m)
- Cable HDMI (2 m)
- Mando a distancia
- Tapa de la lente
- Cubierta del terminal
- Pila de botón (CR2032) × 2
- Adaptador de CA con cable de alimentación (CW2002100)
- Soporte de mesa
- Soporte de montaje en pared
- Tornillos
 - Tornillo de la cubierta del terminal (2,5 mm × 8 mm) × 2
 - Tornillo hexagonal (M3 × 6 mm) para el soporte de mesa × 2
 - Tornillo hexagonal (M3 × 8 mm) para el soporte de montaje en pared × 1
- Llave hexagonal

Elementos que se venden por separado

- Soporte de montaje para monitor (accesorio de montaje) BRK-TV1
Es necesario para instalar el dispositivo en el soporte VESA de un televisor.
- Cables USB: CBL-L10AC (10 metros), CBL-L25AC (25 metros)
Estos son cables USB de fibra óptica. Se utilizan cuando el dispositivo y el ordenador están separados. Son compatibles con USB 3.2 Gen 2 (SuperSpeed Plus) y tienen capacidad de transferencia de alta velocidad hasta 10 Gbps.

NOTA

Los estándares VESA son estándares internacionales que definen el espacio entre los orificios de los tornillos que se utilizan cuando se colocan equipos de vídeo, como por ejemplo televisores, en soportes de pared y soportes para televisores.

Manuales disponibles

Los manuales para este producto se pueden descargar en formato PDF desde los siguientes sitios web:

EE. UU. y Canadá

<https://uc.yamaha.com/support/>

Otros países

<https://download.yamaha.com/>

- Leer primero (incluido)
Describe qué hacer lo primero después de adquirir el producto.
- Guía de seguridad del CS-800 (incluida)
Contiene las precauciones para utilizar este producto de forma segura.
- Guía rápida del CS-800 (este manual, incluido)
Proporciona principalmente información básica para utilizar este producto, como los nombres de las partes, procedimientos de instalación y operaciones de configuración, así como detalles sobre dónde obtener otra información relacionada.
- Guía del usuario del CS-800
Proporciona información detallada para utilizar este producto. También explica cómo utilizar Yamaha CS Manager en un ordenador para configurar y manejar el dispositivo.

Software de utilidades disponible

Existe un software de utilidades opcional para este producto. Para más información sobre este software, consulte la “Guía del usuario” del CS-800.

- Yamaha CS Manager
Este es un software que permite configurar y manejar el dispositivo desde un ordenador.

Actualización del firmware

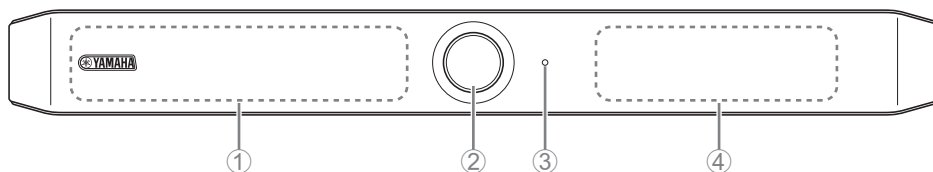
Este producto está diseñado para permitir la actualización del firmware del dispositivo con el fin de mejorar la operatividad, añadir funciones y arreglar problemas.

La información sobre la actualización del firmware está disponible en el sitio web de Yamaha.

Para información detallada sobre el procedimiento de actualización y los ajustes del dispositivo, consulte la “Guía del usuario” del CS-800.

Controles y conectores

Panel delantero



① Micrófono

② Cámara

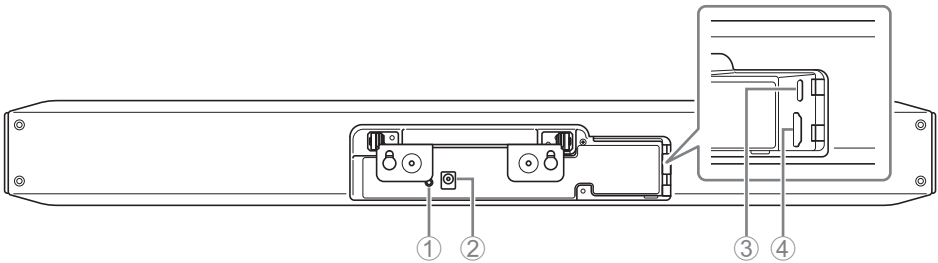
③ Indicador de estado

Indica el estado del dispositivo.

Estado del indicador		Estado del dispositivo
Blanco (iluminado)		En espera
Azul claro (iluminado)		Cámara en funcionamiento
Verde (iluminado)		Llamada en curso
Rojo (iluminado)		Micrófono silenciado
Blanco (parpadeando)	0,361 veces por segundo	Iniciando
Sin luz		Apagado; en espera para ahorro de energía
Blanco (parpadeando)	0,3 veces por segundo	Monitorización desactivada
Naranja (parpadeando)	1 vez por segundo	Restablecimiento de valores de fábrica; activación de la función HDMI/función DisplayLink/Bluetooth
Azul (parpadeando)	1 vez por segundo	Emparejando con el mando a distancia o con un dispositivo inteligente
Azul (iluminado)	3 segundos	Notificación de finalización del emparejamiento con el mando a distancia
Verde (parpadeando)	2 veces por segundo	Recibiendo una llamada
Rojo (parpadeando)	2,5 veces por segundo	Error de hardware

④ Altavoz

Panel trasero



① Botón [FUNCTION]

Se puede utilizar para emparejar el dispositivo con el mando a distancia (página 72) o para restablecer el dispositivo a sus ajustes predeterminados de fábrica (página 81).

② Toma [DC-IN]

Aquí se conecta el adaptador de CA. Después de conectar el adaptador de CA a la toma [DC-IN] del panel trasero, inserte el enchufe de alimentación en una toma eléctrica. La conexión del adaptador de CA enciende el dispositivo.

③ Puerto [USB] (tipo C)

Este puerto es para conectar el dispositivo a un ordenador.

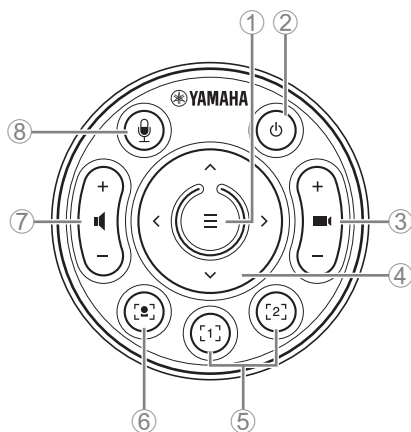
Esto permite mostrar la pantalla del ordenador y configurar el dispositivo. Utilice el cable USB incluido (tipo C-A) para realizar esta conexión. Para información detallada sobre los ajustes del dispositivo, consulte la “Guía del usuario” del CS-800.

④ Puerto [HDMI]

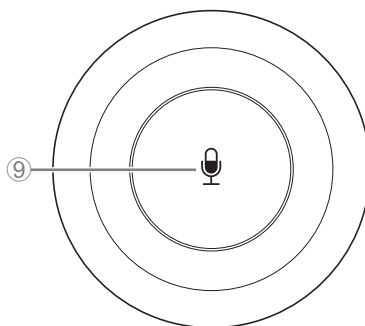
Este puerto es para conectar el dispositivo a un televisor.

Esto permite que el televisor muestre la pantalla del ordenador conectado al puerto [USB] y la visualización en pantalla del dispositivo.

Mando a distancia



Parte superior



Parte inferior

① Botón de menú

Se puede utilizar para visualizar el menú en el televisor o emparejar el dispositivo con el mando a distancia (página 72).

② Botón de alimentación

Se utiliza para encender o poner en espera el CS-800.

③ Botón de zoom de la cámara

④ Botón de giro/inclinación

⑤ Botones de preajustes de cámara 1 y 2

⑥ Botón de encuadre inteligente

⑦ Botones de volumen del altavoz

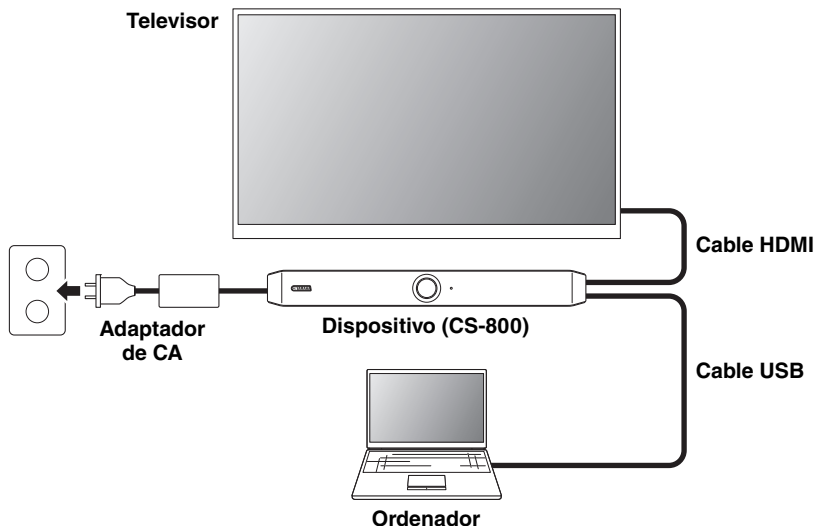
⑧ ⑨ Botón de silencio del micrófono

Conexiones y configuración

Ejemplos de configuraciones

■ Cuando lleve su propio PC

Utilice esta configuración en un entorno en el que se va a llevar un ordenador al lugar donde se celebra la videoconferencia.

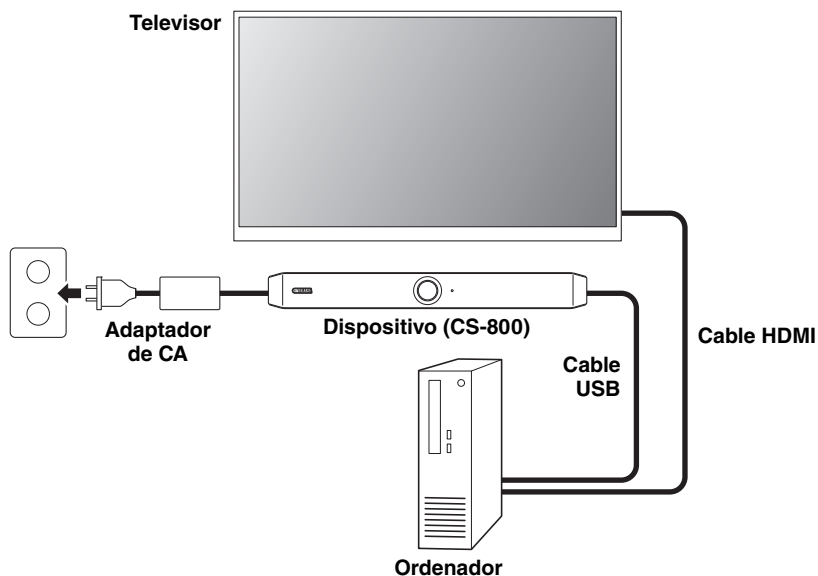


Conecte un extremo del cable HDMI incluido al puerto [HDMI] del dispositivo y conecte el otro extremo al televisor.

Conecte un extremo del cable USB incluido al puerto [USB] del dispositivo y conecte el otro extremo al ordenador.

■ Cuando utilice el PC de la sala de reuniones

Utilice esta configuración en un entorno en el que hay instalado un ordenador o una tablet dedicados para videoconferencias en el lugar donde se celebra la videoconferencia.

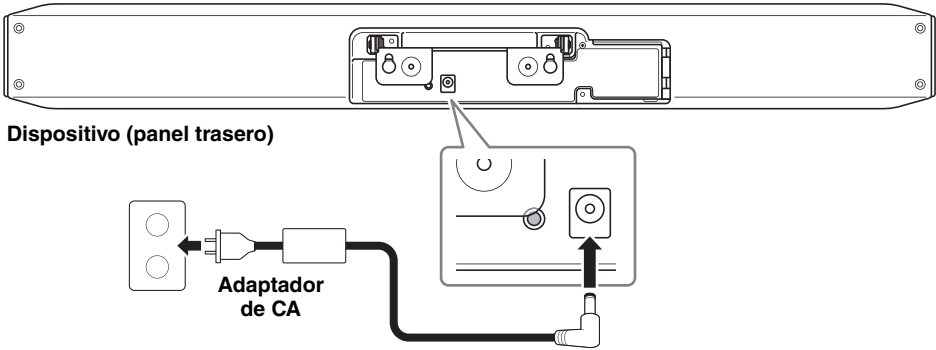


Conecte un extremo del cable HDMI incluido al ordenador y conecte el otro extremo al televisor.

Conecte un extremo del cable USB incluido al puerto [USB] del dispositivo y conecte el otro extremo al ordenador.

Fuente de alimentación

Conecte un extremo del adaptador de CA a la toma [DC-IN] del dispositivo y conecte el otro extremo a una toma eléctrica.

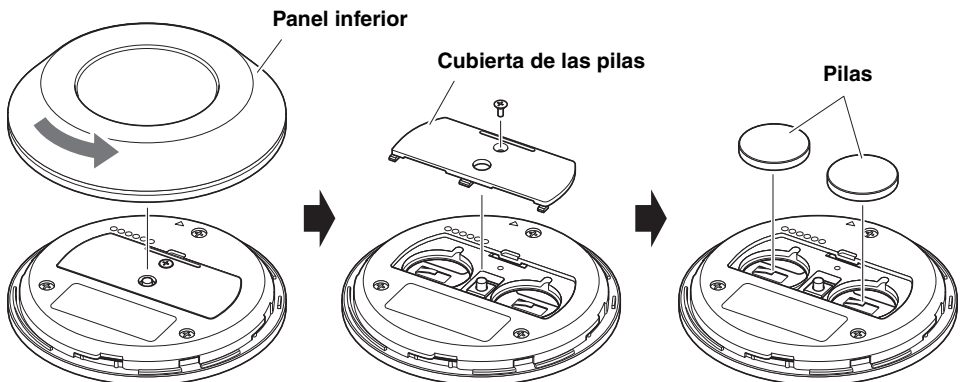


La conexión del adaptador de CA enciende el dispositivo.

NOTA

Después de haber conectado la fuente de alimentación, el dispositivo se puede encender o poner en espera con el botón de alimentación del mando a distancia.

Introducir/reemplazar las pilas del mando a distancia

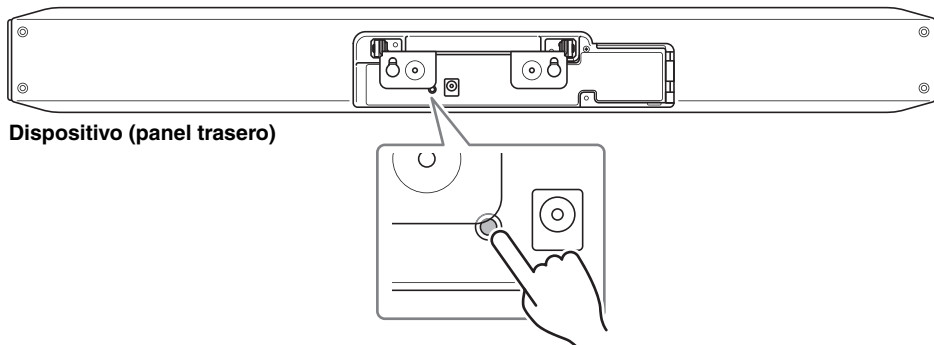


Quite el panel inferior y la cubierta de las pilas, y a continuación introduzca dos pilas (CR2032).

Emparejar el dispositivo y el mando a distancia

Para manejar el dispositivo con el mando a distancia, siga el procedimiento indicado a continuación para emparejarlos.

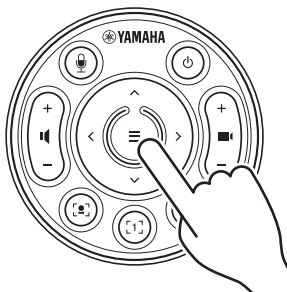
- 1. Mantenga presionado el botón [FUNCTION] (en el panel trasero del dispositivo) durante al menos 2 segundos.**



Dispositivo (panel trasero)

El indicador de estado del panel delantero del dispositivo parpadeará en azul.

- 2. Mantenga pulsado el botón de menú del mando a distancia durante al menos 2 segundos.**

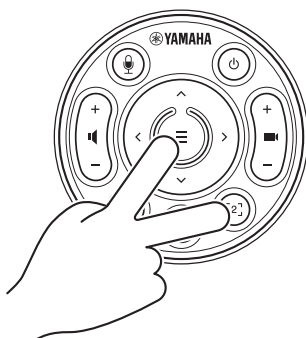


El emparejamiento estará terminado después de que el indicador de estado del panel delantero del dispositivo se ilumine en azul durante 3 segundos.

Especificación de los ajustes necesarios para utilizar su propio ordenador o dispositivo inteligente

Es necesaria la activación de la función HDMI/función DisplayLink/Bluetooth para utilizar su propio ordenador o dispositivo inteligente.

Mantenga pulsados el botón de menú y el botón de preajuste de cámara 2 del mando a distancia durante al menos 3 segundos.



La configuración estará terminada después de que el indicador de estado del panel delantero parpadee en naranja cinco veces con un intervalo de 0,5 segundos.

Instalación del controlador (driver) DisplayLink®

Cuando utilice su propio ordenador (página 69), puede que sea necesario instalar el controlador (driver) DisplayLink, depende del ordenador conectado.

Descargue el controlador más reciente desde displaylink.com/downloads.

Selección del dispositivo en el ordenador

En el ordenador, seleccione "Yamaha CS-800" como dispositivo predeterminado de reproducción/grabación de audio. Así mismo, en su aplicación de comunicaciones unificadas, seleccione CS-800 como dispositivo de vídeo/audio.

Configuración del dispositivo desde la pantalla de un televisor (menú de visualización en pantalla)

El menú de visualización en pantalla es una función que permite ver el menú de ajustes de configuración del dispositivo en la pantalla de un televisor. Se puede manejar con el mando a distancia.

NOTA

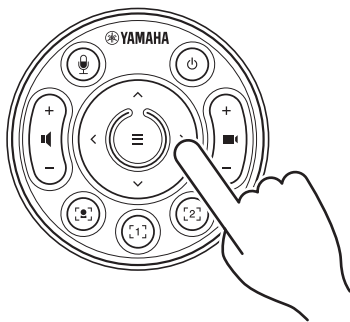
- Esta función se puede utilizar en una configuración en la que el televisor esté conectado al CS-800 mediante el cable HDMI. Esta función no se puede utilizar en una configuración en la que el televisor esté conectado al ordenador mediante el cable HDMI.
- Para utilizar esta función, primero siga el procedimiento de “Especificación de los ajustes necesarios para utilizar su propio ordenador o dispositivo inteligente” (página 73).

Utilización del menú de ajustes

1. Pulse el botón de menú del mando a distancia.

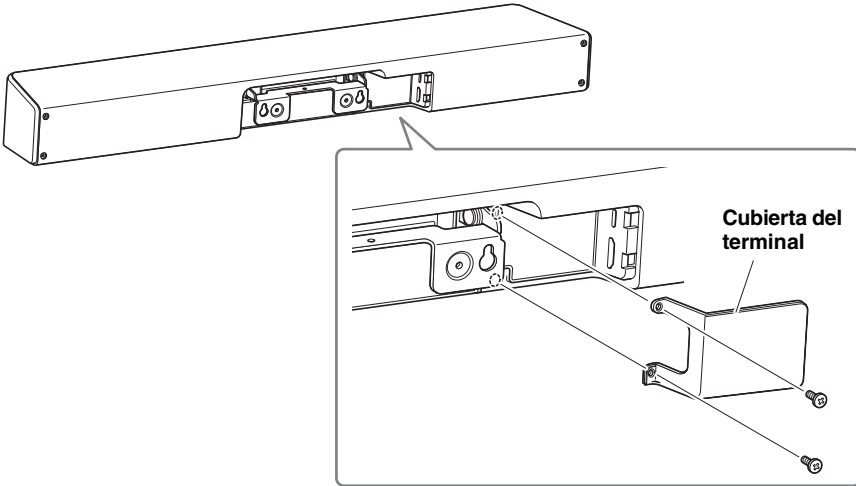
El menú de ajustes aparecerá en el televisor.

2. Navegue con el botón de giro/inclinación del mando a distancia.



Instalación de la cubierta del terminal

Acople la cubierta del terminal al dispositivo utilizando los tornillos incluidos.

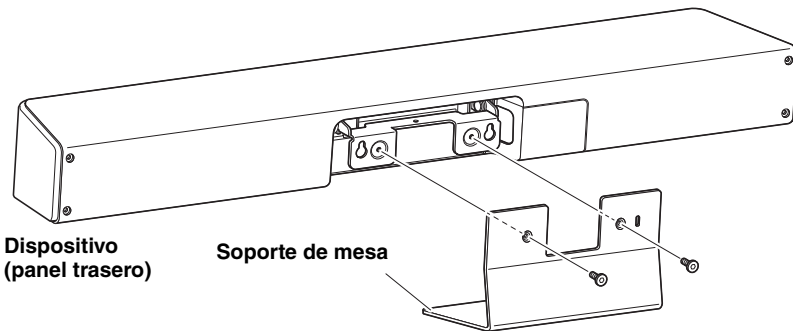


Español

Instalación del soporte de mesa

Acople el soporte de mesa incluido al dispositivo.

1. Acople el soporte de mesa al dispositivo utilizando los tornillos incluidos.



Instalación del soporte de montaje en pared



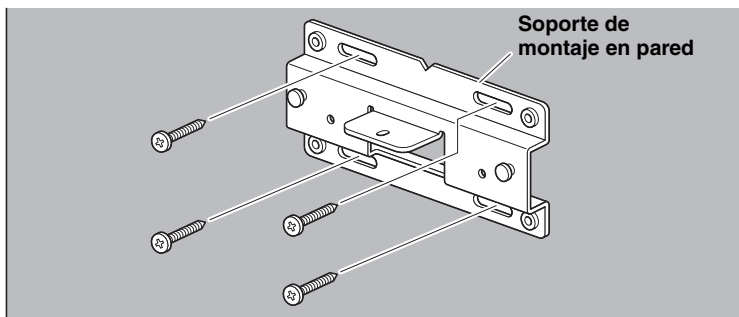
ADVERTENCIA

- Asegúrese de que el distribuidor donde compró el producto o una empresa profesional instale el soporte de montaje.
- Después de la instalación, asegúrese de que el CS-800 está bien sujeto. Así mismo, compruebe con regularidad que no hay ninguna posibilidad de que el dispositivo se caiga o se vuelque. No podemos asumir ninguna responsabilidad por los accidentes causados por una instalación incorrecta.
- Después de la instalación, no se apoye contra el CS-800 ni aplique sobre él mucha fuerza desde arriba. Si el dispositivo se cae, puede causar lesiones o daños.

Instalación en una pared

Este dispositivo se puede montar en una pared usando el soporte de montaje en pared incluido.

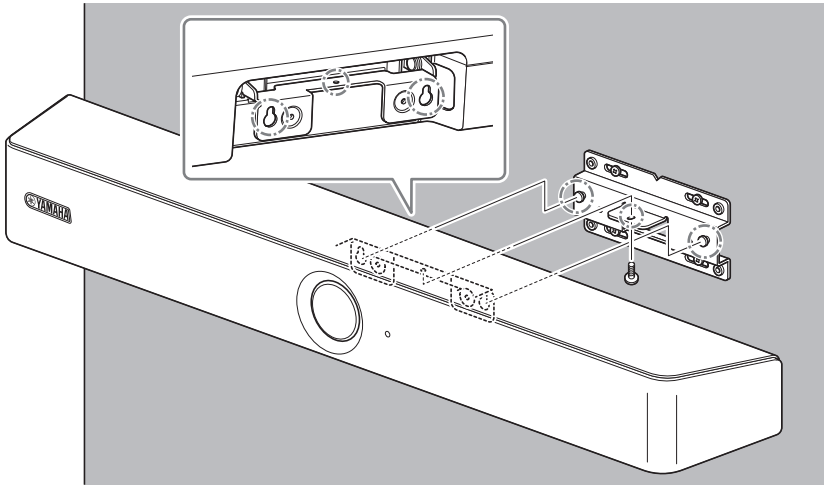
1. Fije a la pared el soporte de montaje en pared.



IMPORTANTE

- Los tornillos para fijar a la pared el soporte de montaje en pared no están incluidos. Prepare tornillos con la resistencia suficiente.
- Para más información sobre los tornillos y la instalación, debe ponerse en contacto con el distribuidor donde adquirió el producto o con una empresa profesional.

2. Cuelgue el dispositivo en el soporte instalado en el paso 1.



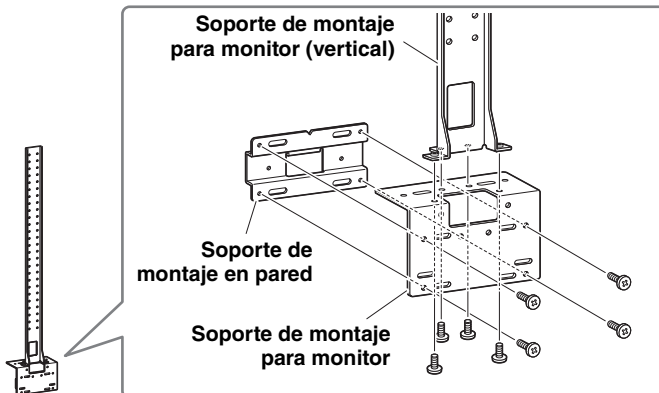
Español

3. Desde la parte inferior del soporte de montaje en pared, asegure el dispositivo utilizando el tornillo incluido.

Instalación del soporte de montaje para monitor (VESA)

Acople el dispositivo a un televisor mediante un soporte de montaje para monitor BRK-TV1 (se vende por separado). El siguiente es un ejemplo de una instalación que utiliza los orificios para tornillos del televisor y un soporte de televisor.

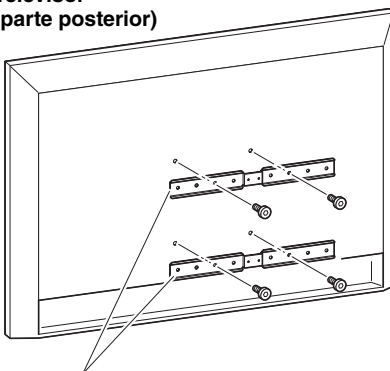
1. Acople el soporte de montaje para monitor (vertical), el soporte de montaje para monitor (para montaje en el soporte de montaje en pared) y el soporte de montaje en pared utilizando los tornillos incluidos con ellos.



Instalación del soporte de montaje en pared

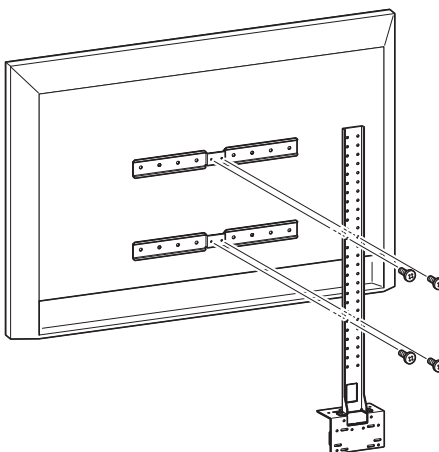
- 2. Acople los dos soportes de montaje para monitor (horizontales) al televisor usando los tornillos incluidos.**

Televisor
(parte posterior)



Soporte de montaje para monitor (horizontal)

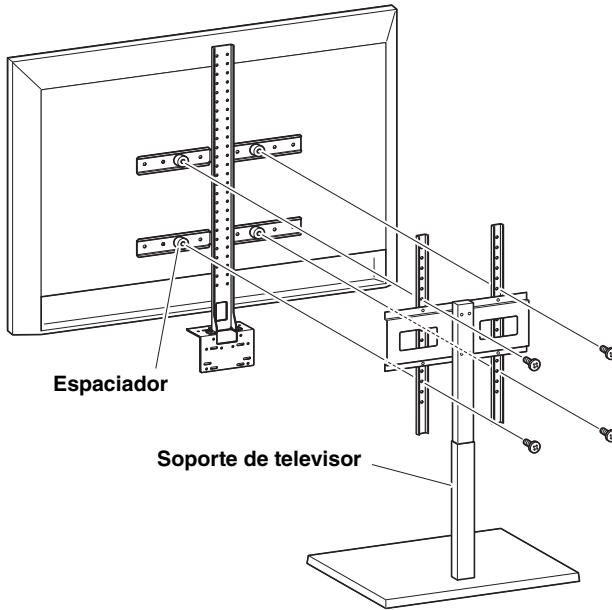
- 3. Fije los soportes acoplados en el paso 1 a los soportes instalados en el paso 2.**



IMPORTANTE

Elija la posición de montaje apropiada para el televisor.

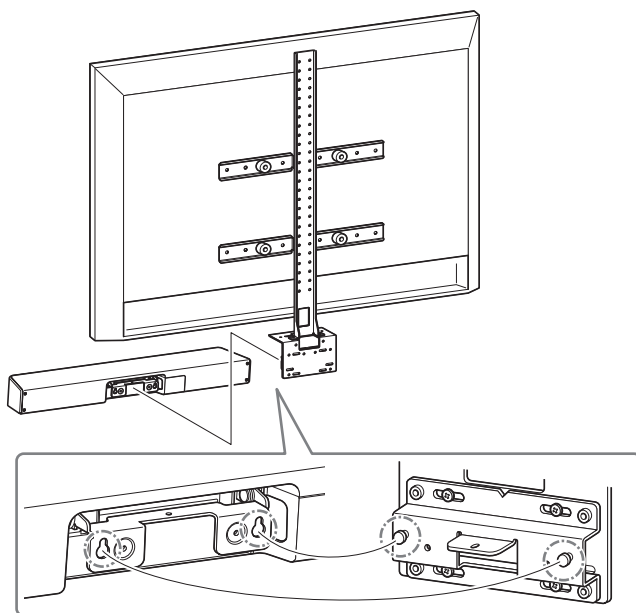
4. Colóquelo en un soporte de televisor.



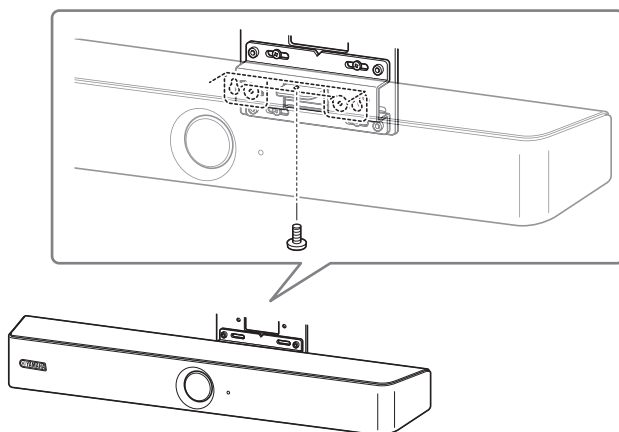
IMPORTANTE

Dependiendo de la configuración del soporte de televisor, asegure firmemente también los espaciadores incluidos con el soporte de montaje para monitor BRK-TV1 (se vende por separado).

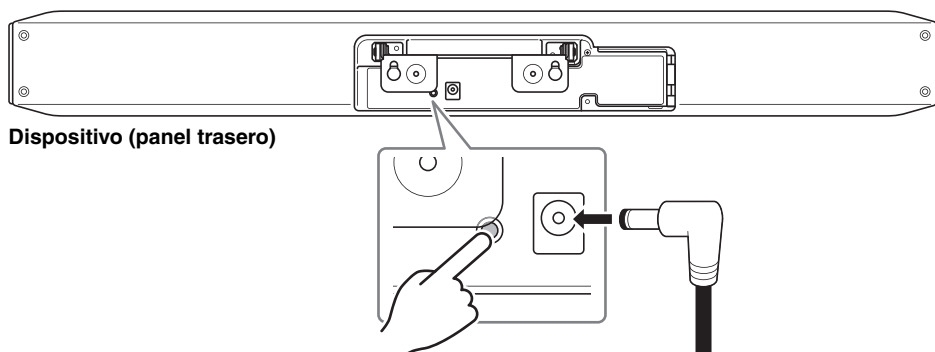
5. Cuelgue el dispositivo en el soporte de montaje en pared instalado en el paso 1.



6. Desde la parte inferior del dispositivo, asegúrelo utilizando el tornillo incluido.



Recuperación de los ajustes predeterminados de fábrica (restablecimiento de los valores de fábrica)



Para que el dispositivo recupere sus ajustes predeterminados de fábrica, inicie el dispositivo conectando el cable de alimentación mientras mantiene pulsado el botón [FUNCTION]. Después de conectar el cable de alimentación, mantenga pulsado el botón [FUNCTION] durante al menos 5 segundos. Cuando el indicador de estado del panel delantero del dispositivo cambie de parpadear en naranja a iluminarse permanentemente en blanco, el dispositivo habrá recuperado sus ajustes predeterminados de fábrica.

Especificaciones principales

Dimensiones		620 mm (an.) × 90 mm (pro.) × 70 mm (al.)
Peso		1,7 kg
Alimentación		20 V DC/2.1 A, CW2002100 (100 V – 240 V, 50 Hz/60 Hz)
Consumo de potencia máximo		42 W
Temperatura	Funcionamiento	0 °C – 40 °C
	Almacenamiento	–20 °C – 60 °C
Humedad	Funcionamiento	20% – 85% (sin condensación)
	Almacenamiento	20% – 85% (sin condensación)
Elementos incluidos		CS-800 (dispositivo), Leer primero, Guía de seguridad, Guía rápida (este manual), cable USB 2.0 (tipo C-A), cable HDMI, tapa de la lente, cubierta del terminal, mando a distancia, pila de botón (CR2032) × 2, adaptador de CA con cable de alimentación (CW2002100), soporte de mesa, soporte de montaje en pared, tornillos de montaje, llave hexagonal
Elementos que se venden por separado		Soporte de montaje para monitor (accesorio de montaje VESA) BRK-TV1, cables USB de fibra óptica CBL-L10AC & CBL-L25AC

Conteúdo



Introdução	83
Sobre este manual.....	83
Itens inclusos.....	84
Itens vendidos separadamente.....	84
Manuais disponíveis.....	85
Software utilitário disponível.....	85
Atualizando o firmware.....	85
Controles e conectores	86
Painel frontal.....	86
Painel traseiro.....	87
Controle remoto.....	88
Conexões e configuração	89
Configurações de amostra.....	89
Fonte de energia.....	91
Inserindo / substituindo as pilhas do controle remoto.....	91
Emparelhando o dispositivo e o controle remoto.....	92
Especificando as configurações necessárias para usar seu próprio computador/dispositivo inteligente	93
Instalando o DisplayLink® driver	93
Selecionando o dispositivo no computador	93
Configurando o dispositivo a partir de uma tela de TV (menu de exibição na tela)	94
Usando o menu de configurações.....	94
Instalando a tampa do terminal	95
Instalando o suporte de mesa	95
Instalando o suporte de montagem na parede	96
Instalando em uma parede.....	96
Instalando o suporte de montagem do monitor (VESA).....	97
Retornando às configurações padrão de fábrica (redefinição de fábrica) ...	101
Principais especificações	101

Introdução

Obrigado por adquirir o Yamaha CS-800. Este produto é um sistema de videoconferência para a realização de conferências remotas em espaços amontoados e salas de reuniões. Ele pode ser usado como um dispositivo de áudio / vídeo em combinação com sua configuração de comunicações unificadas. Para uma colaboração remota confortável, este dispositivo é equipado com uma câmera, microfone e alto-falante de alta qualidade.

Sobre este manual

- Este manual usa as seguintes palavras de sinalização para as informações importantes:

 ADVERTÊNCIAS	Este conteúdo indica “risco de ferimentos graves ou morte”
 CUIDADO	Este conteúdo indica “risco de ferimentos”
AVISO	Indica o conteúdo que você deve observar para impedir que o produto funcione incorretamente, seja danificado ou funcione incorretamente e para evitar a perda de dados.
IMPORTANTE	Indica o conteúdo que você deve conhecer para operar e usar o produto corretamente.
OBSERVAÇÃO	Indica informações relacionadas à operação e uso. Leia isto para sua referência.

- As ilustrações mostradas neste manual são apenas para fins instrucionais.
- Os nomes das empresas e dos produtos deste manual são as marcas comerciais ou as marcas comerciais registradas de suas respectivas empresas.
- A Yamaha efetua melhorias e atualizações de maneira constante no software incluído neste produto. Você pode baixar o software mais recente no site da Yamaha.
- O conteúdo deste manual refere-se às últimas especificações na sua data de publicação. Para obter o manual mais recente, acesse o site da Yamaha e faça o download do arquivo do manual.

Itens inclusos

- CS-800 (dispositivo)
- Leia Primeiro
- Guia de Segurança
- Guia rápido (este manual)
- Cabo USB 2.0 (Tipo C-A, 5 m)
- Cabo HDMI (2 m)
- Controle remoto
- Tampa da lente
- Tampa do terminal
- Bateria de moeda (CR2032) × 2
- Adaptador AC com cabo de alimentação (CW2002100)
- Suporte de mesa
- Suporte de montagem na parede
- Parafusos
 - Parafuso da tampa do terminal (2,5 mm × 8 mm) × 2
 - Parafuso hexagonal (M3 × 6 mm) para suporte de mesa × 2
 - Parafuso hexagonal (M3 × 8 mm) para suporte de montagem na parede × 1
- Chave hexagonal

Itens vendidos separadamente

- Suporte de montagem de monitor (acessório de montagem) BRK-TV1
Isso é necessário para instalar o dispositivo no suporte VESA de uma TV.
- Cabos USB: CBL-L10AC (10 metros), CBL-L25AC (25 metros)
Estes são cabos USB de fibra óptica. Eles são usados quando o dispositivo e o computador estão separados. Eles suportam USB 3.2 Gen2 (Super Speed Plus) e podem se comunicar em altas velocidades de até 10 Gbps.

OBSERVAÇÃO

Os padrões VESA são padrões internacionais que definem o espaçamento entre os orifícios dos parafusos usados ao conectar equipamentos de vídeo, como TVs, a suportes de parede e suportes de TV.

Manuais disponíveis

Os manuais para este produto podem ser baixados em formato PDF no site a seguir.

EUA e Canadá

<https://uc.yamaha.com/support/>

Outros Países

<https://download.yamaha.com/>

- **Leia Primeiro (incluído)**
Descreve o que fazer primeiro depois de comprar o produto.
- **Guia de segurança CS-800 (incluído)**
Este contém as precauções para usar este produto com segurança.
- **Guia rápido do CS-800 (este manual incluído)**
Isso fornece principalmente informações básicas para o uso deste produto, como nomes de peças, procedimentos de instalação e operações de configuração, bem como detalhes sobre onde obter outras informações relacionadas.
- **Guia do usuário do CS-800**
Isso fornece informações detalhadas sobre como usar este produto. Também explica como usar o Yamaha CS Manager em seu computador para configurar e operar o dispositivo.

Software utilitário disponível

O software utilitário opcional está disponível para este produto. Para obter informações detalhadas sobre este software, consulte o Guia do Usuário do CS-800.

- **Yamaha CS Manager**
Este é um software que permite configurar e operar o dispositivo a partir do seu computador.

Atualizando o firmware

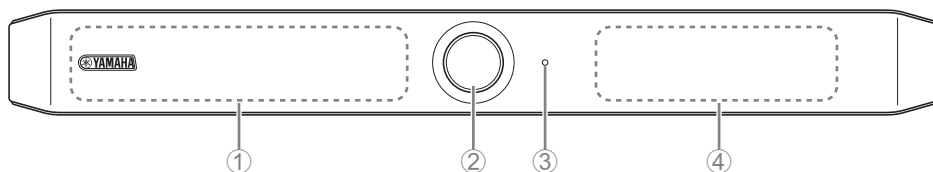
Este produto foi projetado para permitir que o firmware do dispositivo seja atualizado para melhorar a operabilidade, adicionar funções e corrigir problemas.

Informações sobre como atualizar o firmware estão disponíveis no site da Yamaha.

Para obter detalhes sobre o procedimento de atualização e configurações do dispositivo, consulte o Guia do usuário do CS-800.

Controles e conectores

Painel frontal



① Microfone

② Câmera

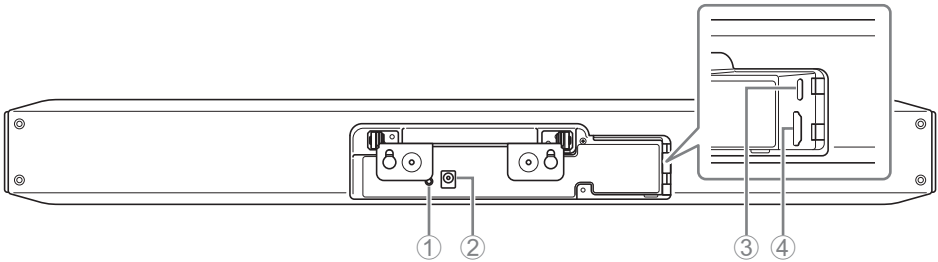
③ Status indicador

Indica o status do dispositivo.

Estado do indicador		Status do dispositivo
Branco (aceso)		Espera
Azul claro (aceso)		Operação da câmera
Verde (aceso)		Durante uma chamada
Vermelho (aceso)		Microfone sem som
Branco (piscando)	0,361 vez/s	Iniciando
Apagado		Desligado; economia de energia em espera
Branco (piscando)	0,3 vez/s	Monitoramento desligado
Laranja (piscando)	1 vez/s	Restauração de fábrica; ativação da função HDMI/função DisplayLink/Bluetooth
Azul (piscando)	1 vez/s	Emparelhando com o controle remoto ou dispositivo inteligente
Azul (aceso)	3 segundos	Notificação de conclusão do emparelhamento de controle remoto
Verde (piscando)	2 vezes/s	Recebendo uma chamada
Vermelho (piscando)	2,5 vezes/s	Erro de hardware

④ Alto falante

Painel traseiro



① Botão [FUNCTION]

Pode ser usado para emparelhar o dispositivo com o controle remoto (página 92) ou para retornar o dispositivo às configurações padrão de fábrica (página 101).

② Jack [DC-IN]

Conecte o adaptador AC aqui. Depois de conectar o adaptador AC à saída [DC-IN] no painel traseiro, insira o plugue de alimentação em uma tomada elétrica.

Conectar o adaptador AC liga o dispositivo.

③ Porta [USB] (tipo C)

Esta porta serve para conectar o dispositivo a um computador.

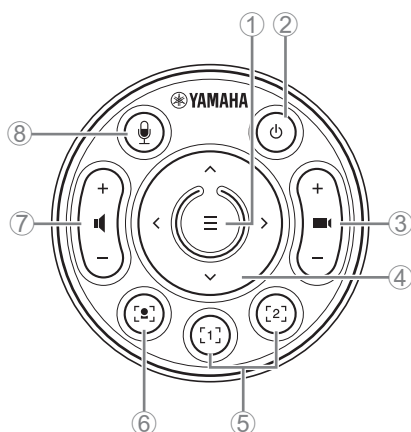
Isso permite exibir a tela do computador e configurar o dispositivo. Use o cabo USB incluído (Tipo C-A) para esta conexão. Para obter detalhes sobre as configurações do dispositivo, consulte o Guia do usuário do CS-800.

④ Porta [HDMI]

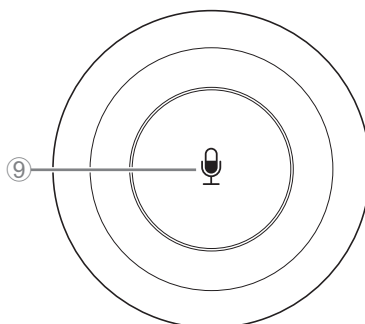
Esta porta é para conectar o dispositivo a uma TV.

Isso permite que a TV exiba a tela do computador conectado à porta [USB] e a exibição na tela do dispositivo.

Controle remoto



Superior



Inferior

① Botão de menu

Pode ser usado para exibir o menu na TV ou emparelhar o dispositivo com o controle remoto (página 92).

② Botão de energia

Usado para ligar / standby o CS-800.

③ Botão de zoom da câmera

④ Botão de panorâmica / inclinação

⑤ Botões 1 e 2 predefinidos da câmera

⑥ Botão de enquadramento inteligente

⑦ Botões de volume do alto-falante

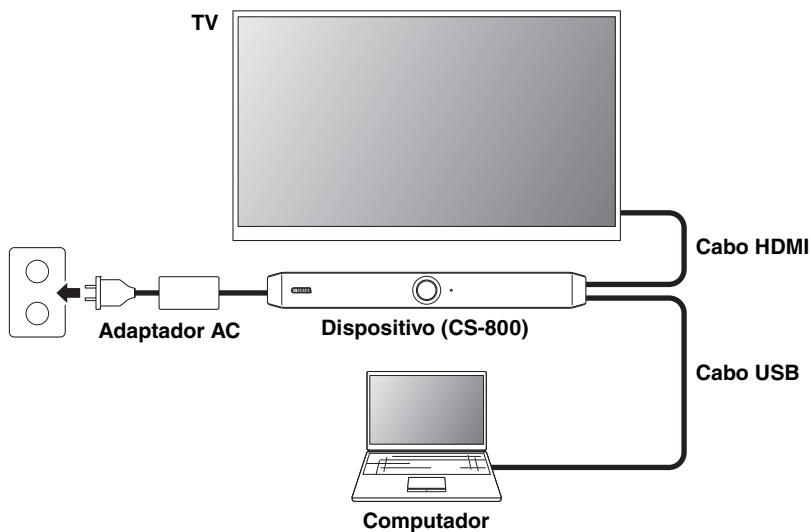
⑧ ⑨ Botão de silenciar microfone

Conexões e configuração

Configurações de amostra

■ Ao trazer seu próprio PC

Use esta configuração em um ambiente onde um computador será levado ao local onde a videoconferência será realizada.

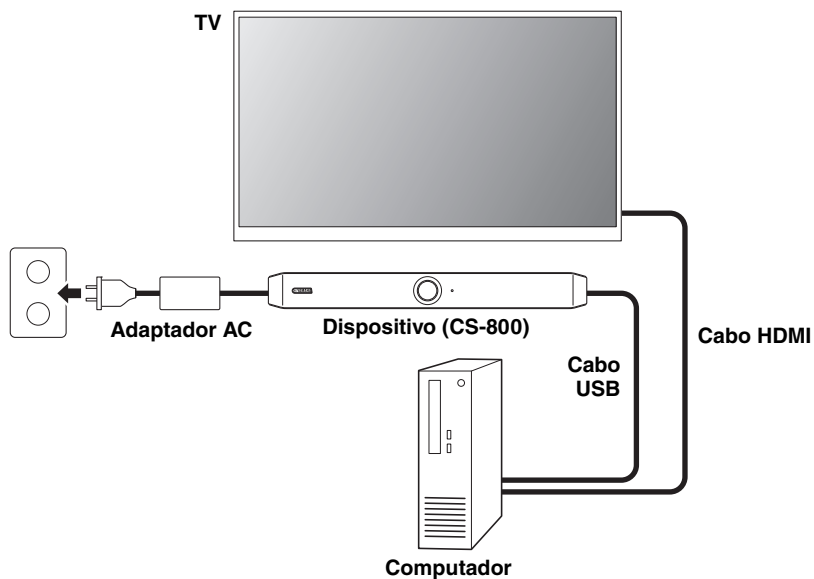


Conecte uma extremidade do cabo HDMI incluído à porta [HDMI] do dispositivo e conecte a outra extremidade à TV.

Conecte uma extremidade do cabo USB incluído à porta [USB] do dispositivo e conecte a outra extremidade ao computador.

■ Ao usar o PC da sala de reuniões

Use esta configuração em um ambiente onde um computador ou tablet dedicado à videoconferência está configurado no local onde a videoconferência é realizada.

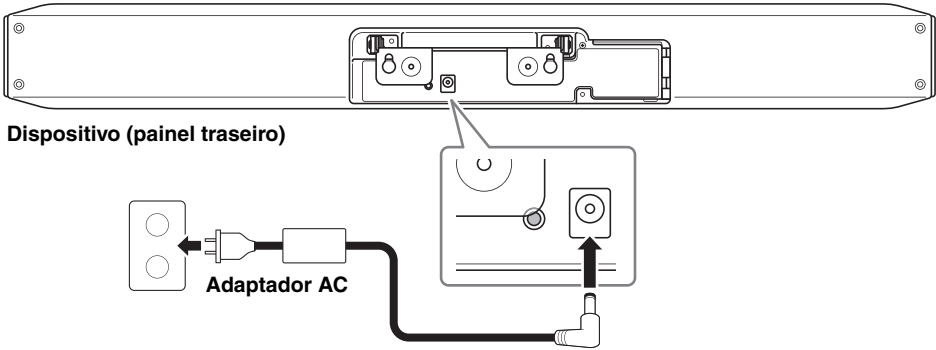


Conecte uma extremidade do cabo HDMI incluído ao computador e conecte a outra extremidade à TV.

Conecte uma extremidade do cabo USB incluído à porta [USB] do dispositivo e conecte a outra extremidade ao computador.

Fonte de energia

Conecte uma extremidade do adaptador AC à saída [DC-IN] do dispositivo e conecte a outra extremidade a uma tomada elétrica.

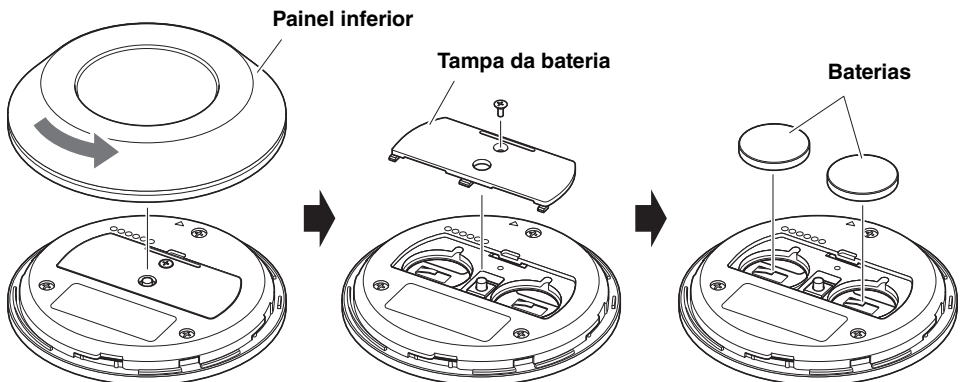


Conectar o adaptador AC liga o dispositivo.

OBSERVAÇÃO

Depois que a fonte de alimentação for conectada, o dispositivo pode ser ligado ou colocado no modo de espera com o botão liga / desliga no controle remoto.

Inserindo / substituindo as pilhas do controle remoto

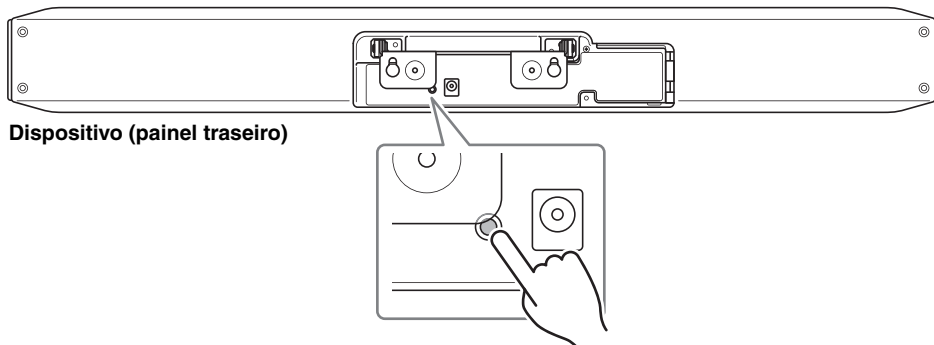


Remova o painel inferior e a tampa da bateria e insira duas baterias (CR2032).

Emparelhando o dispositivo e o controle remoto

Para operar o dispositivo com o controle remoto, siga o procedimento abaixo para emparelhá-los.

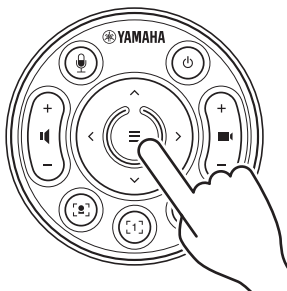
- 1. Mantenha pressionado o botão [FUNCTION] (no painel traseiro do dispositivo) por pelo menos 2 segundos.**



Dispositivo (painel traseiro)

O indicador de status no painel frontal do dispositivo pisca em azul.

- 2. Pressione longamente o botão de menu no controle remoto por pelo menos 2 segundos.**

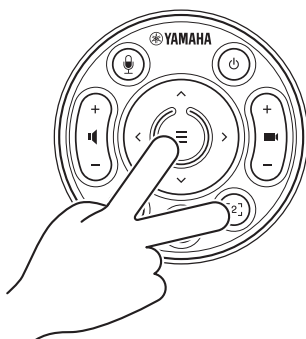


O emparelhamento é concluído após o indicador de status no painel frontal do dispositivo acender em azul por 3 segundos.

Especificando as configurações necessárias para usar seu próprio computador/dispositivo inteligente

A ativação da função HDMI/função DisplayLink/Bluetooth é necessária para usar seu próprio computador/dispositivo inteligente.

Pressione longamente o botão de menu e o botão de predefinição 2 da câmera no controle remoto por pelo menos 3 segundos.



A configuração é concluída depois que o indicador de status no painel frontal do dispositivo pisca cinco vezes em laranja em um intervalo de 0,5 segundo.

Instalando o DisplayLink® driver

Ao usar seu próprio computador (página 89), pode ser necessário instalar o driver DisplayLink, dependendo do computador conectado.

Baixe o driver mais recente em displaylink.com/downloads.

Selecionando o dispositivo no computador

Em seu computador, selecione “Yamaha CS-800” como o dispositivo de reprodução / gravação de áudio padrão. Além disso, em seu aplicativo de comunicações unificadas, selecione CS-800 como o dispositivo de vídeo / áudio.

Configurando o dispositivo a partir de uma tela de TV (menu de exibição na tela)

O menu de exibição na tela é um recurso que exibe o menu de configurações do dispositivo na tela da TV. Pode ser operado com o controle remoto.

OBSERVAÇÃO

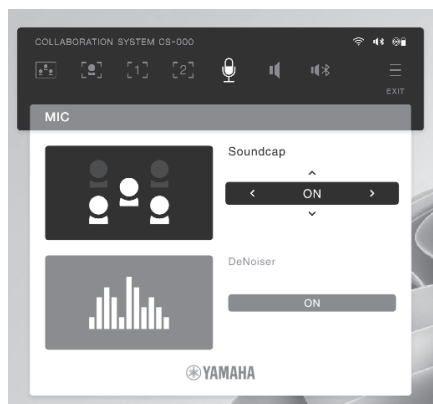
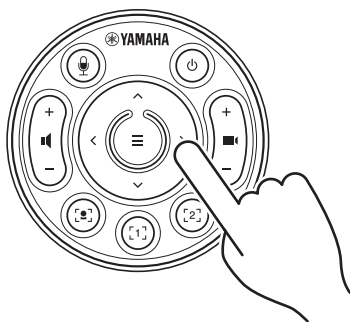
- Esta função pode ser usada em uma configuração onde a TV é conectada ao CS-800 usando o cabo HDMI. Ele não pode ser usado em uma configuração em que a TV seja conectada ao computador por meio do cabo HDMI.
- Para usar esta função, primeiro siga o procedimento em “Especificando as configurações necessárias para usar seu próprio computador/dispositivo inteligente” (página 93).

Usando o menu de configurações

1. Pressione o botão de menu no controle remoto.

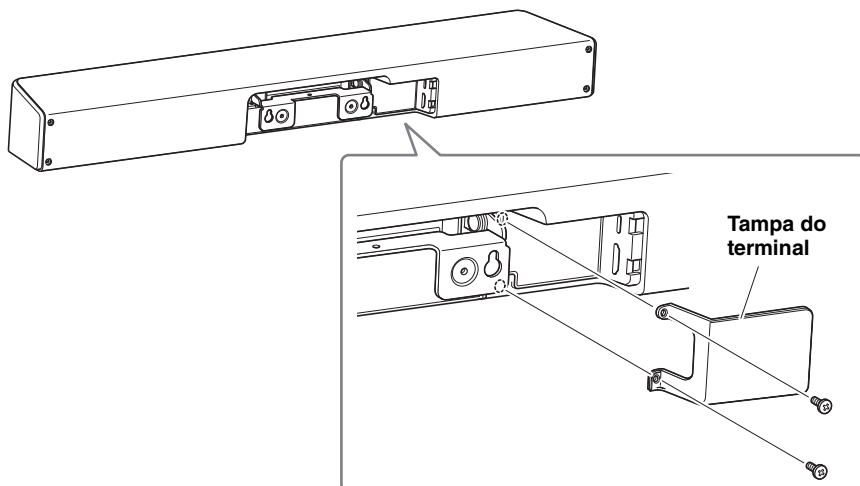
O menu de configurações aparece na TV.

2. Navegue com o botão pan / tilt no controle remoto.



Instalando a tampa do terminal

Fixe a tampa do terminal ao dispositivo usando os parafusos incluídos.

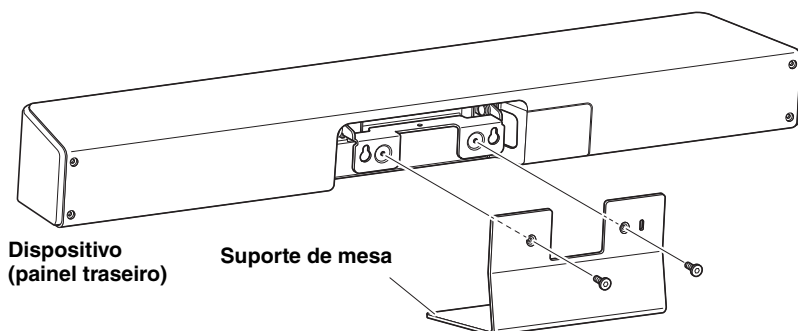


Português

Instalando o suporte de mesa

Anexe o suporte de mesa incluído ao dispositivo.

1. Fixe o suporte de mesa ao dispositivo usando os parafusos incluídos.



Instalando o suporte de montagem na parede



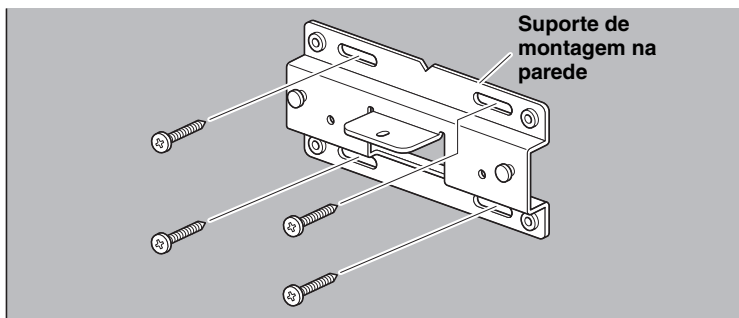
ADVERTÊNCIAS

- Certifique-se de que o suporte de montagem seja instalado pelo revendedor onde você adquiriu o produto ou por um empreiteiro profissional.
- Após a instalação, certifique-se de que o CS-800 está firmemente preso. Além disso, verifique regularmente se não há possibilidade de o dispositivo cair ou tombar. Não podemos ser responsabilizados por acidentes causados por instalação incorreta.
- Após da instalação, não se incline contra o CS-800 nem aplique uma força forte vinda de cima. Se o dispositivo cair, podem ocorrer ferimentos ou danos.

Instalando em uma parede

Este dispositivo pode ser montado em uma parede usando o suporte de montagem em parede incluso.

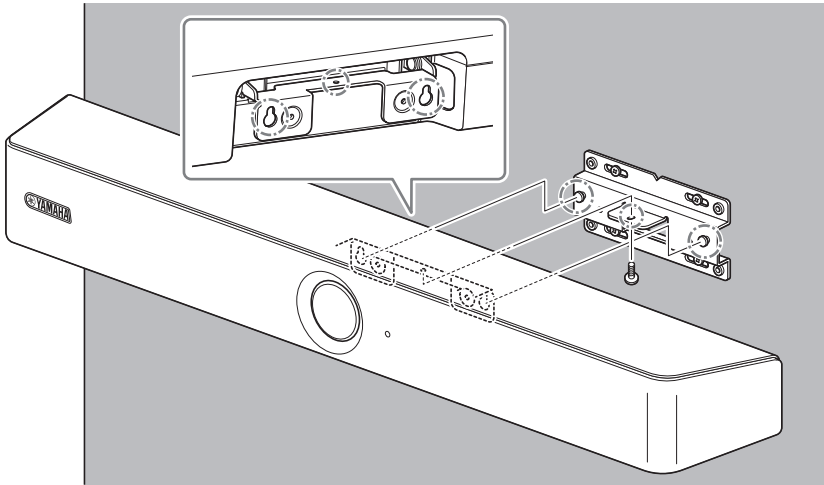
1. Fixe o suporte de montagem na parede.



IMPORTANTE

- Os parafusos para fixar o suporte de montagem na parede não estão incluídos. Prepare parafusos que sejam fortes o suficiente.
- Para obter detalhes sobre os parafusos e a instalação, entre em contato com o revendedor onde adquiriu o produto ou com um empreiteiro profissional.

2. Pendure o dispositivo no suporte instalado na etapa 1.



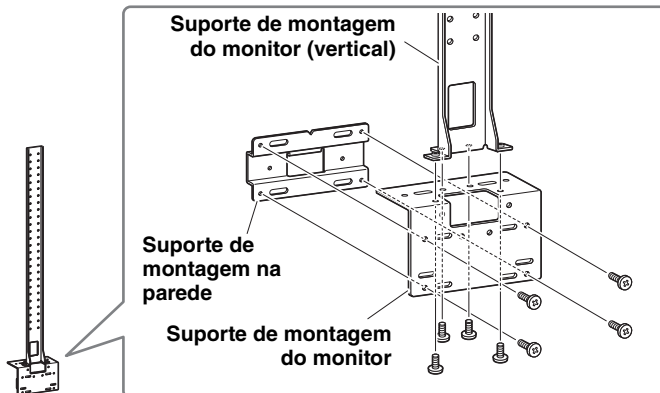
3. Na parte inferior do suporte de montagem na parede, prenda o dispositivo usando o parafuso incluído.

Português

Instalando o suporte de montagem do monitor (VESA)

Conecte o dispositivo a uma TV usando o suporte de montagem de monitor BRK-TV1 (vendido separadamente). A seguir está um exemplo de uma instalação que usa os orifícios dos parafusos na TV e em um suporte de TV.

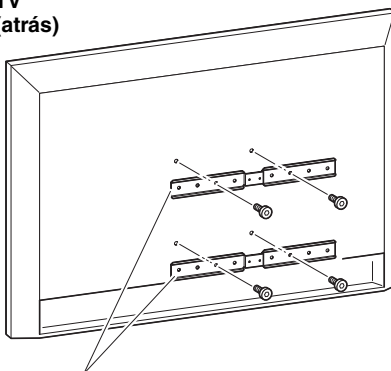
1. Fixe o suporte de montagem do monitor (vertical), o suporte de montagem do monitor (para montagem no suporte de parede) e o suporte de montagem na parede usando os parafusos incluídos com eles.



Instalando o suporte de montagem na parede

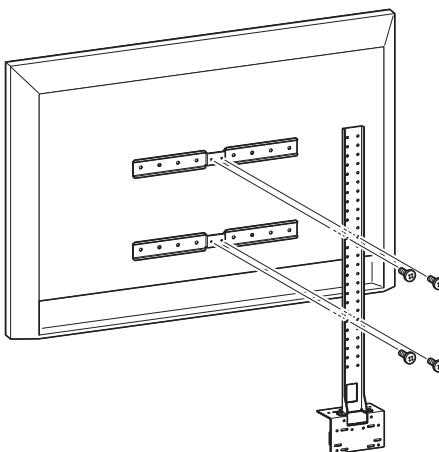
2. Prenda os dois suportes de montagem do monitor (horizontais) à TV usando os parafusos incluídos.

TV
(atrás)



Suporte de montagem do monitor (horizontal)

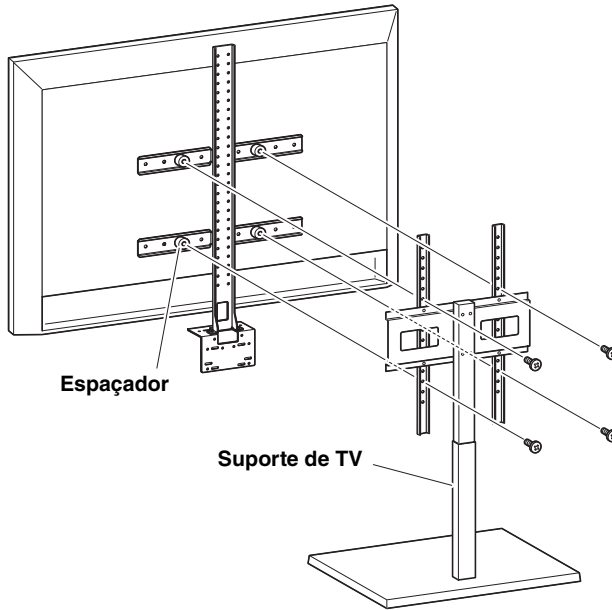
3. Anexe os suportes montados na etapa 1 to os suportes instalados na etapa 2.



IMPORTANTE

Escolha a posição de montagem apropriada para a TV.

4. Conecte a um suporte de TV.

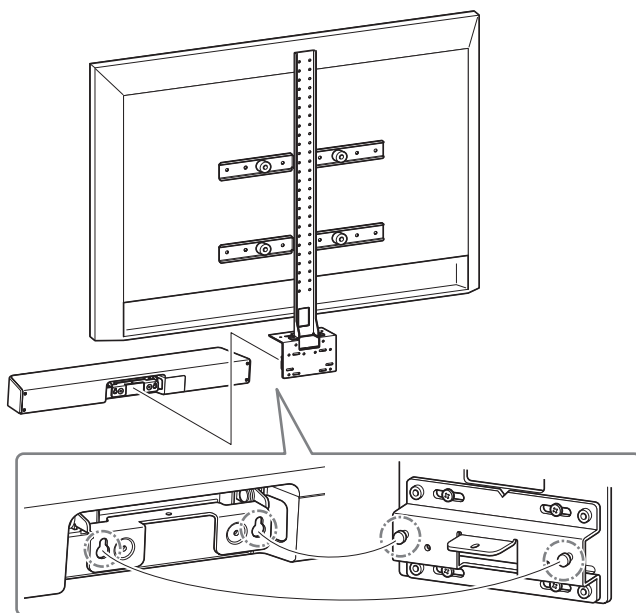


IMPORTANTE

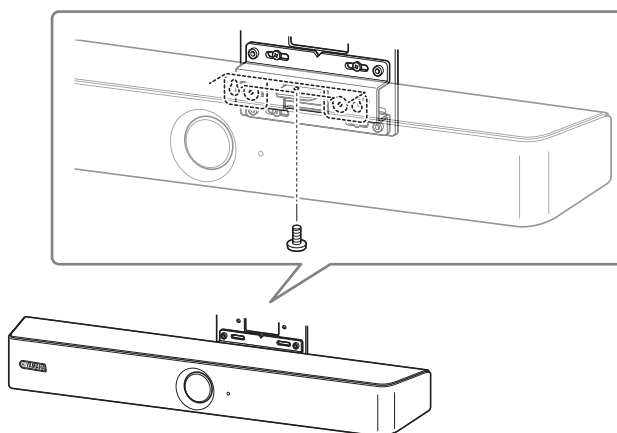
Dependendo da configuração do suporte de TV, prenda também firmemente os espaçadores incluídos com o suporte de montagem do monitor BRK-TV1 (vendido separadamente).

Instalando o suporte de montagem na parede

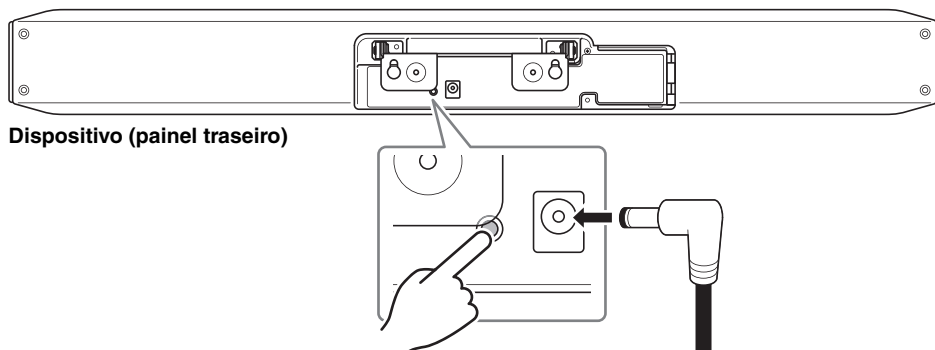
5. Pendure o dispositivo no suporte de montagem na parede instalado na etapa 1.



6. Na parte inferior do dispositivo, prenda-o usando o parafuso incluído.



Retornando às configurações padrão de fábrica (redefinição de fábrica)



Dispositivo (painel traseiro)

Para retornar o dispositivo às configurações padrão de fábrica, inicie o dispositivo conectando o cabo de alimentação enquanto mantém pressionado o botão [FUNCTION]. Após conectar o cabo de alimentação, mantenha o botão [FUNCTION] pressionado por pelo menos 5 segundos. Quando o indicador de status no painel frontal do dispositivo muda de laranja piscante para branco aceso, o dispositivo retorna às configurações padrão de fábrica.

Português

Principais especificações

Dimensões	620 mm (L) × 90 mm (P) × 70 mm (A)	
Peso	1,7 kg	
Fonte de energia	20 V DC / 2,1 A, CW2002100 (100 V – 240 V, 50 Hz / 60 Hz)	
Consumo máximo de energia	42 W	
Temperatura	Operando	0 °C – 40 °C
	Armazenamento	–20 °C – 60 °C
Umidade	Operando	20% – 85% (sem condensação)
	Armazenamento	20% – 85% (sem condensação)
Itens incluídos	CS-800 (dispositivo), Leia Primeiro, Guia de segurança, Guia rápido (este manual), cabo USB 2.0 (tipo C-A), cabo HDMI, tampa da lente, tampa do terminal, controle remoto, bateria de moeda (CR2032) × 2, adaptador AC com cabo de alimentação (CW2002100), suporte de mesa, suporte de montagem em parede, parafusos de montagem, chave hexagonal	
Itens vendidos separadamente	Suporte de montagem do monitor (acessório de montagem VESA) BRK-TV1, cabos USB de fibra óptica CBL-L10AC e CBL-L25AC	

Sommario



Introduzione	103
Informazioni sul manuale.....	103
Elementi inclusi.....	104
Elementi venduti separatamente.....	104
Manuali disponibili.....	105
Utility software disponibili.....	105
Aggiornamento del firmware.....	105
Controlli e connettori	106
Pannello anteriore.....	106
Pannello posteriore.....	107
Telecomando.....	108
Collegamenti e impostazione	109
Impostazioni d'esempio.....	109
Alimentazione.....	111
Inserimento/sostituzione delle batterie del telecomando.....	111
Accoppiamento del dispositivo e del telecomando.....	112
Specifica delle impostazioni necessarie a utilizzare il proprio computer/ dispositivo smart	113
Installazione del driver DisplayLink®	113
Selezione del dispositivo sul computer	113
Configurazione del dispositivo dallo schermo televisivo (menu OSD)	114
Uso del menu di impostazioni.....	114
Installazione del coperchio del terminale	115
Installazione del supporto da tavolo	115
Installazione della staffa di montaggio su parete	116
Installazione su parete.....	116
Installazione della staffa di montaggio del monitor (VESA).....	117
Ripristino delle impostazioni predefinite di fabbrica (ripristino dei valori di fabbrica)	121
Specifiche principali	121

Introduzione

Grazie per aver acquistato lo Yamaha CS-800. Questo prodotto è un sistema di videoconferenza per tenere conferenze a distanza in sale riunioni e spazi appositi. È utilizzabile come dispositivo audio/video in abbinamento con il sistema unificato di comunicazione dell'utente. Per una collaborazione in remoto agevole, il dispositivo è dotato di una videocamera di alta qualità, microfono e altoparlante.

Informazioni sul manuale

- Il presente manuale utilizza i seguenti termini per le informazioni importanti:

 AVVERTENZA	Questo contenuto indica "rischio di lesioni gravi o di morte."
 ATTENZIONE	Questo contenuto indica "rischio di lesioni".
AVVISO	Indica contenuto da osservare per evitare il guasto del prodotto, danni o malfunzionamento e perdita di dati.
IMPORTANTE	Indica contenuto da conoscere per poter utilizzare il prodotto correttamente.
NOTA	Indica informazioni relative al funzionamento e all'uso. Leggere per consultazione.

- Le illustrazioni in questo manuale vengono fornite esclusivamente a scopo descrittivo.
- Le denominazioni sociali e i nomi dei prodotti riportati nel manuale sono marchi o marchi registrati delle rispettive società.
- Yamaha apporta continui miglioramenti e aggiornamenti al software incluso con il prodotto. È possibile scaricare la versione più recente del software dal sito web Yamaha.
- I contenuti del presente manuale sono conformi alle specifiche più aggiornate a partire dalla data di pubblicazione. Per ottenere la versione più recente del manuale, visitare il sito web Yamaha e scaricare il file del manuale.

Elementi inclusi

- CS-800 (dispositivo)
- Leggi prima
- Guida alla sicurezza
- Guida rapida (questo manuale)
- Cavo USB 2.0 (tipo C-A, 5 m)
- Cavo HDMI (2 m)
- Telecomando
- Coperchio dell'obiettivo
- Coperchio per il terminale
- Batteria a pastiglia (CR2032) × 2
- Adattatore CA con cavo d'alimentazione (CW2002100)
- Supporto da tavolo
- Staffa di montaggio su parete
- Viti
 - Vite del coperchio del terminale (2,5 mm × 8 mm) × 2
 - Vite esagonale (M3 × 6 mm) per il supporto da tavolo × 2
 - Vite esagonale (M3 × 8 mm) per la staffa di montaggio su parete × 1
- Chiave esagonale

Elementi venduti separatamente

- Staffa di montaggio del monitor (accessorio di montaggio) BRK-TV1
Necessario per installare il dispositivo sul supporto VESA di un televisore.
- Cavi LAN: CBL-L10AC (10 metri), CBL-L25AC (25 metri)
Si tratta di cavi USB a fibra ottica. Sono utilizzati quando dispositivi e computer sono distinti. Supportano USB 3.2 Gen2 (Super Speed Plus) e possono comunicare a velocità elevate fino a 10 Gbps.

NOTA

Gli standard VESA sono standard internazionali che definiscono lo spazio tra i fori delle viti usate per fissare apparecchiature video come televisori, a supporti da parete e televisori.

Manuali disponibili

I manuali del prodotto sono scaricabili in PDF dal seguente sito web.

U.S.A e Canada

<https://uc.yamaha.com/support/>

Altri Paesi

<https://download.yamaha.com/>

- **Leggi prima (incluso)**
Descrive il da farsi dopo l'acquisto del prodotto.
- **CS-800 Guida alla sicurezza (inclusa)**
Contiene le precauzioni per l'uso in sicurezza del prodotto.
- **CS-800 Guida rapida (questo manuale, inclusa)**
Fornisce principalmente le informazioni base per l'uso del prodotto, come ad esempio i nomi delle parti, le procedure d'installazione, le operazioni di configurazione, oltre a dettagli su dove reperire altre informazioni correlate.
- **CS800 Guida dell'utente**
Fornisce informazioni dettagliate sull'uso del prodotto. Spiega inoltre come usare Yamaha CS Manager sul computer per configurare e utilizzare il dispositivo.

Utility software disponibili

Per il prodotto, sono disponibili utility software. Per informazioni dettagliate su tale software, consultare la guida dell'utente deCS-800.

- **Yamaha CS Manager**
Software che consente di configurare e utilizzare il dispositivo dal computer.

Aggiornamento del firmware

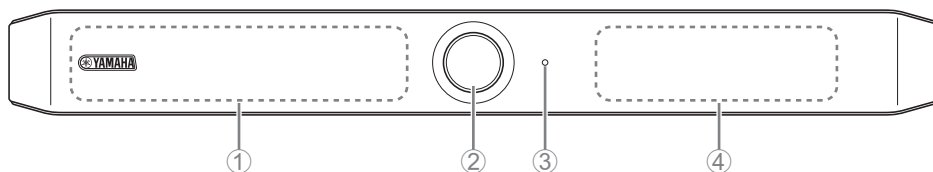
Questo prodotto è progettato per consentire l'aggiornamento del dispositivo per migliorare il funzionamento, aggiungere funzione e risolvere problemi.

Le informazioni sull'aggiornamento del firmware sono disponibili sul sito web Yamaha.

Per dettagli sulla procedura d'aggiornamento e le impostazioni del dispositivo, consultare la guida dell'utente del CS-800.

Controlli e connettori

Pannello anteriore



① Microfono

② Videocamera

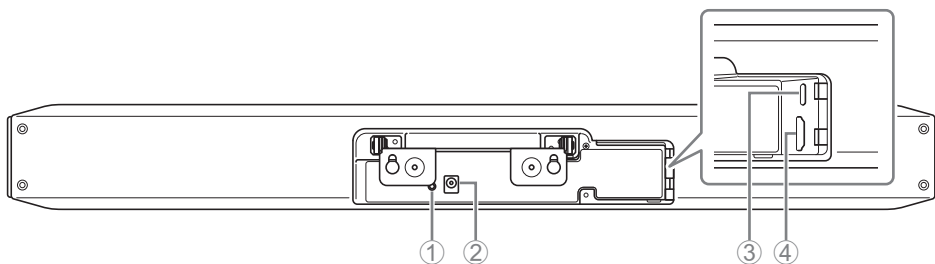
③ Indicatore di stato

Indica lo stato del dispositivo.

Stato dell'indicatore		Stato del dispositivo
Bianco (acceso)		Standby
Celeste (acceso)		Videocamera in funzione
Verde (acceso)		Durante una chiamata
Rosso (acceso)		Microfono silenziato
Bianco (lampeggiante)	0,361 volte/sec	In avvio
Spento		Spento; standby risparmio energetico
Bianco (lampeggiante)	0,3 volte/sec	Monitoraggio disattivato
Arancione (lampeggiante)	1 volta/sec	Ripristino delle impostazioni di fabbrica; attivazione della funzione HDMI/funzione DisplayLink/Bluetooth
Blu (lampeggiante)	1 volta/sec	Accoppiamento con il telecomando o dispositivo smart
Blu (acceso)	3 secondi	Notifica completamento dell'accoppiamento del controllo remoto
Verde (lampeggiante)	2 volte/sec	Ricezione di una chiamata
Rosso (lampeggiante)	2,5 volte/sec	Errore hardware

④ Altoparlante

Pannello posteriore



① Pulsante [FUNCTION]

Utilizzabile per accoppiare il dispositivo con il telecomando (pagina 112) o per ripristinare le impostazioni di fabbrica del dispositivo (pagina 121).

② Presa [DC-IN]

Collegare qui l'adattatore CA. Collegato l'adattatore CA alla presa [DC-IN] sul pannello posteriore, inserire lo spinotto d'alimentazione in una presa elettrica.

Collegando l'adattatore CA, si accende il dispositivo.

③ Porta [USB] (tipo C)

Questa porta serve a collegare il dispositivo a un computer.

Consente di visualizzare lo schermo del computer e a configurare il dispositivo.

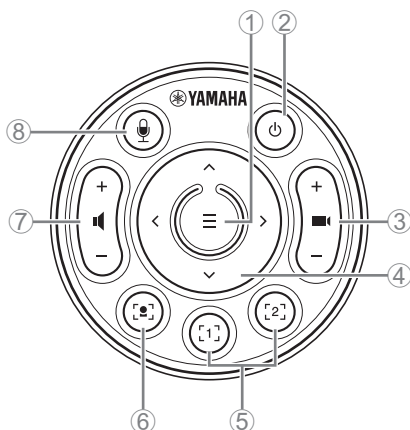
Utilizzare il cavo USB incluso (tipo C-A) per questa connessione. Per informazioni dettagliate sulle impostazioni del dispositivo, consultare la guida dell'utente del CS-800.

④ Porta [HDMI]

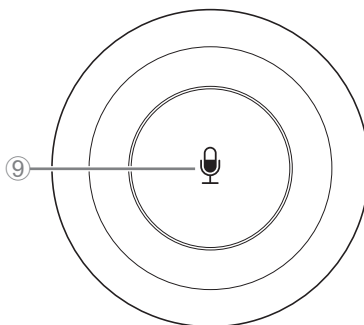
Questa porta serve a collegare il dispositivo a un televisore.

Consente al televisore di visualizzare lo schermo del computer connesso alla porta [USB] e l'OSD del dispositivo.

Telecomando



Lato superiore



Lato inferiore

① Pulsante Menu

Utilizzabile per visualizzare il menu sul televisore o per accoppiare il dispositivo con il telecomando (pagina 112).

② Pulsante di alimentazione

Usato per accendere o mettere in standby il CS-800.

③ Pulsante zoom videocamera

④ Pulsante panoramica/inclinazione

⑤ Pulsanti preimpostazioni 1 e 2

⑥ Pulsante inquadratura intelligente

⑦ Pulsanti volume altoparlante

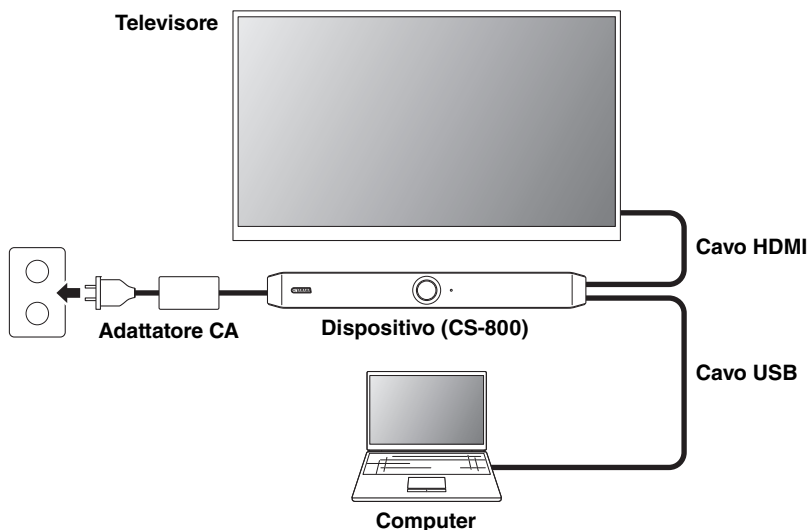
⑧ ⑨ Pulsante silenziamento microfono

Collegamenti e impostazione

Impostazioni d'esempio

■ In caso di utilizzo del proprio PC

Utilizzare questa impostazione in un ambiente dove un computer verrà portato sul luogo in cui è tenuta la videoconferenza.

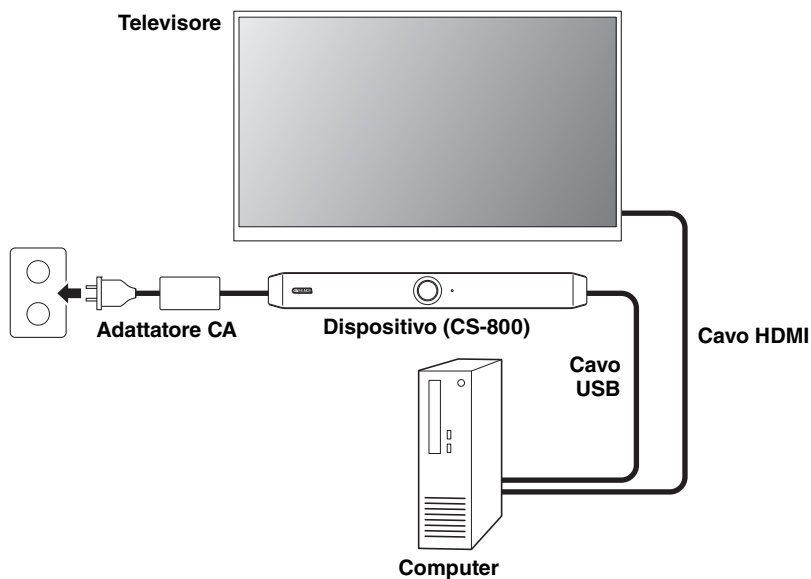


Collegare un'estremità del cavo HDMI incluso alla porta [HDMI] sul dispositivo, e collegare l'altra estremità al televisore.

Collegare un'estremità del cavo USB incluso alla porta [USB] sul dispositivo, e collegare l'altra estremità al computer.

■ In caso di utilizzo del PC della sala conferenze

Utilizzare questa impostazione in un ambiente dove un computer o tablet dedicato alla videoconferenza è configurato sul luogo in cui si tiene la stessa.

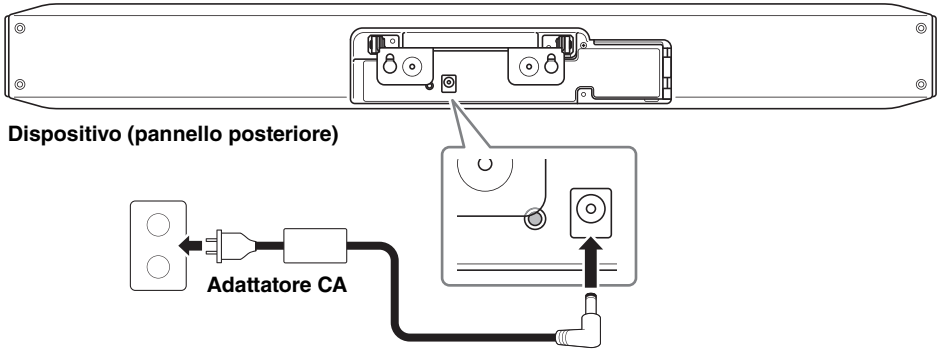


Collegare un'estremità del cavo HDMI incluso al computer, e collegare l'altra estremità al televisore.

Collegare un'estremità del cavo USB incluso alla porta [USB] sul dispositivo, e collegare l'altra estremità al computer.

Alimentazione

Collegare un'estremità dell'adattatore CA alla presa [DC-IN] del dispositivo, e collegare l'altra estremità a una presa elettrica.

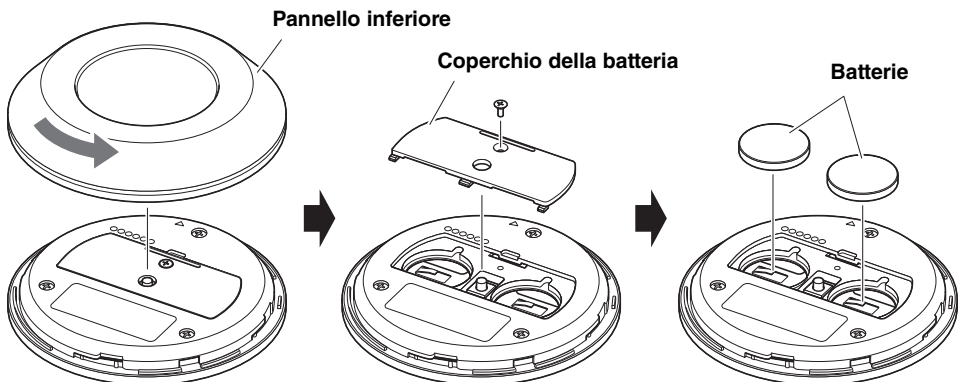


Collegando l'adattatore CA, si accende il dispositivo.

NOTA

Collegata l'alimentazione, è possibile accendere o impostare in standby il dispositivo premendo il pulsante d'alimentazione sul telecomando.

Inserimento/sostituzione delle batterie del telecomando

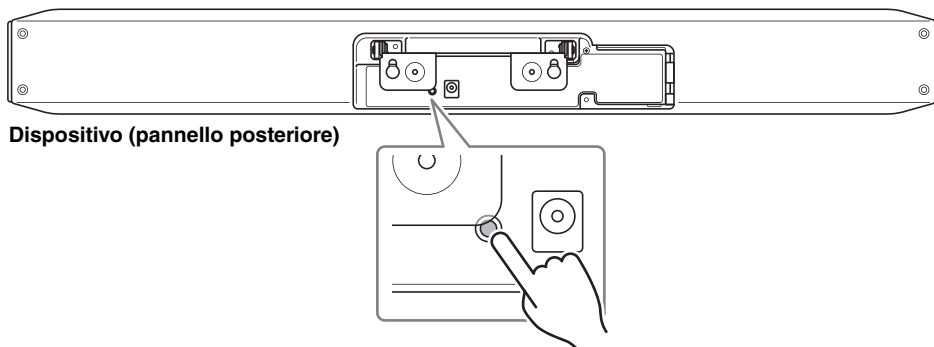


Rimuovere il pannello inferiore e il coperchio della batteria, quindi inserire le due batterie (CR2032).

Accoppiamento del dispositivo e del telecomando

Per poter operare il dispositivo con il telecomando, procedere come segue per accoppiarli.

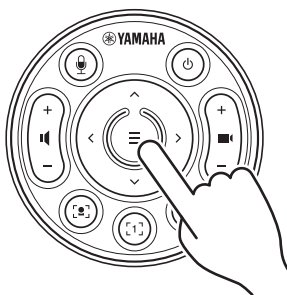
- 1. Tenere premuto a lungo il pulsante [FUNCTION] (sul pannello posteriore del dispositivo) per almeno 2 secondi.**



Dispositivo (pannello posteriore)

L'indicatore di stato sul pannello anteriore del dispositivo lampeggia in blu.

- 2. Tenere premuto a lungo il pulsante Menu sul telecomando per almeno 2 secondi.**

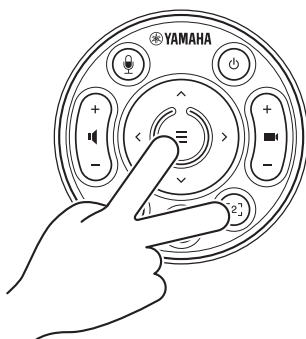


L'accoppiamento è terminato quando l'indicatore di stato sul pannello anteriore del dispositivo s'illumina in blu per 3 secondi.

Specifica delle impostazioni necessarie a utilizzare il proprio computer/dispositivo smart

È necessario attivare la funzione HDMI/funzione DisplayLink/Bluetooth per usare il proprio computer/dispositivo smart.

Tenere premuto a lungo il pulsante Menu e il pulsante preimpostazione videocamera 2 sul telecomando per almeno 3 secondi.



La configurazione è terminata una volta che l'indicatore di stato sul pannello anteriore del dispositivo lampeggia in arancione cinque volte a intervalli di mezzo secondo.

Italiano

Installazione del driver DisplayLink®

Quando si utilizza il proprio computer (pagina 109), potrebbe essere necessario installare il driver DisplayLink, a seconda del computer connesso.

Scaricare l'ultima versione del driver da displaylink.com/downloads.

Selezione del dispositivo sul computer

Sul computer, selezionare "Yamaha CS-800" come dispositivo di riproduzione/registrazione audio predefinito. Inoltre, nell'applicazione comunicazione unificata, selezionare CS-800 come dispositivo audio/video.

Configurazione del dispositivo dallo schermo televisivo (menu OSD)

Il menu OSD è una funzione che visualizza un elenco di impostazioni del dispositivo su uno schermo televisivo. È utilizzabile con il telecomando.

NOTA

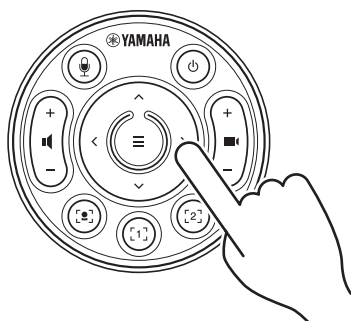
- Questa funzione è utilizzabile in una impostazione dove il televisore è collegato al CS-800 tramite cavo HDMI. Questa funzione non è utilizzabile in una impostazione dove il televisore è collegato al computer tramite cavo HDMI.
- Per usare questa funzione, procedere prima come descritto in “Specifiche delle impostazioni necessarie a utilizzare il proprio computer/dispositivo smart” (pagina 113).

Uso del menu di impostazioni

1. Premere il pulsante Menu sul telecomando.

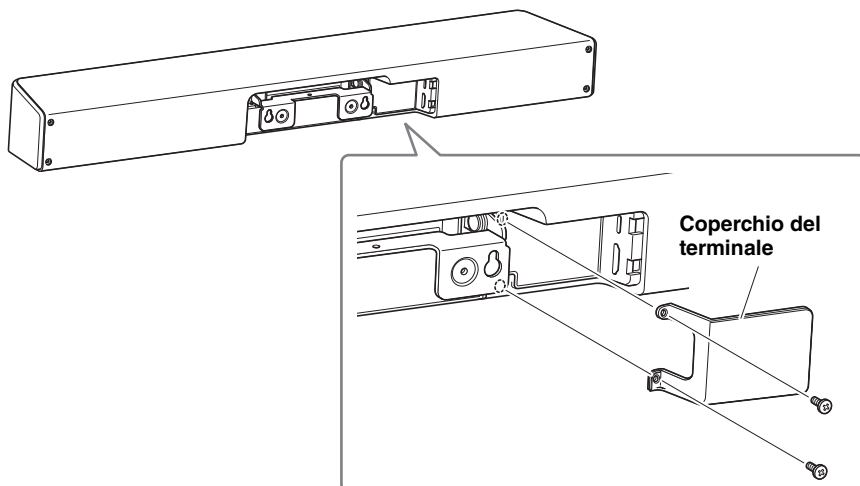
Il menu di impostazioni appare sul televisore.

2. Navigare con il pulsante di panoramica/inclinazione sul telecomando.



Installazione del coperchio del terminale

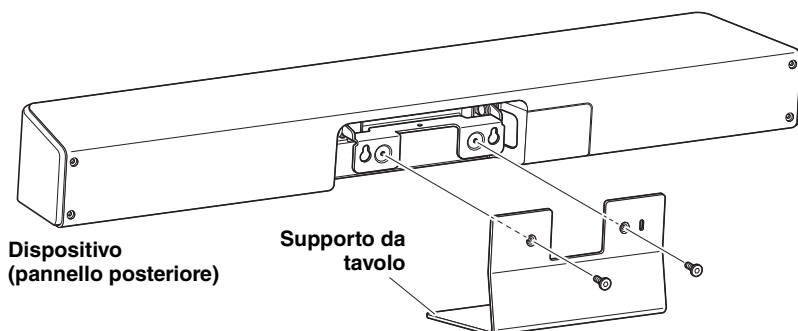
Fissare il coperchio del terminale al dispositivo tramite le viti incluse.



Installazione del supporto da tavolo

Fissare al dispositivo il supporto da tavolo incluso.

1. Fissare al dispositivo il supporto da tavolo tramite le viti incluse.



Installazione della staffa di montaggio su parete



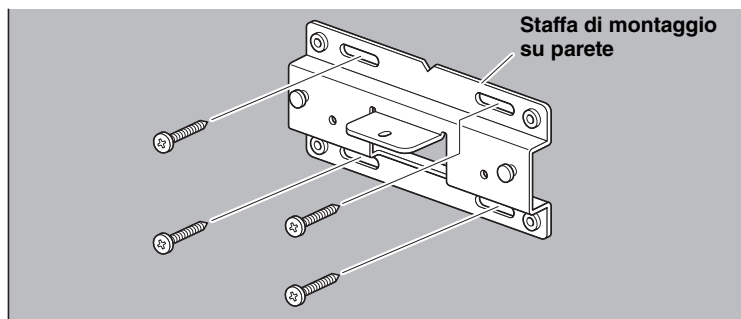
AVVERTENZA

- Assicurarsi di rivolgersi al rivenditore o a un professionista, per installare la staffa di montaggio.
- Dopo l'installazione, assicurarsi che il CS-800 sia fissato saldamente. Controllare periodicamente inoltre, che il dispositivo non possa cadere o ribaltarsi. Yamaha non si assume alcuna responsabilità causata da un'installazione errata.
- Dopo l'installazione, non appoggiarsi al CS-800 o applicarvi forza eccessiva dall'alto. La caduta del dispositivo potrebbe causare lesioni o danni.

Installazione su parete

Il dispositivo può essere montato su parete tramite la staffa di montaggio inclusa.

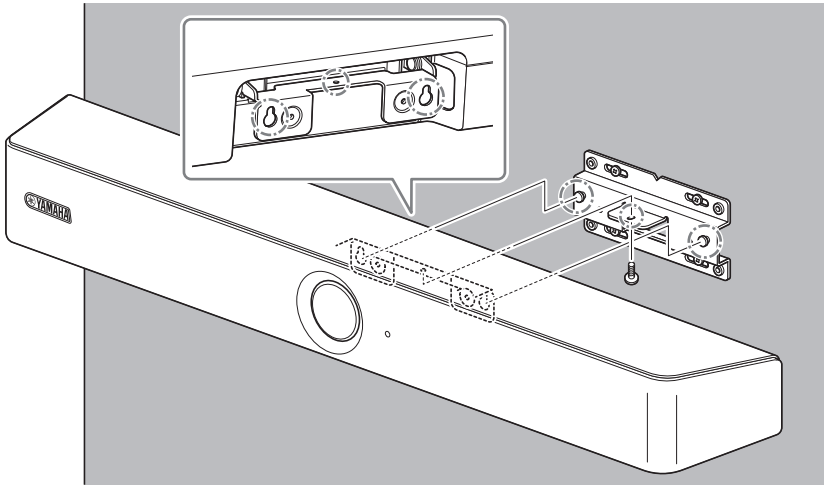
1. Fissare la staffa di montaggio alla parete.



IMPORTANTE

- Le viti per fissare la staffa di montaggio alla parete non sono incluse. Preparare viti sufficientemente robuste.
- Per dettagli sulle viti e l'installazione, rivolgersi al rivenditore da cui si è acquistato il prodotto o a un installatore professionista.

2. Appendere il dispositivo sulla staffa installata al punto 1.



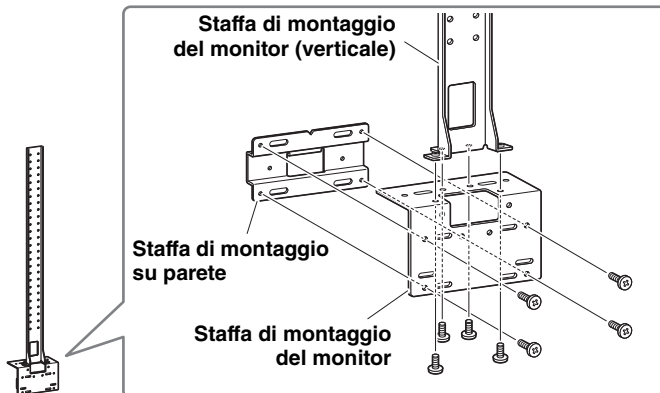
3. Fissare il lato inferiore della staffa sul dispositivo tramite le viti incluse.

Installazione della staffa di montaggio del monitor (VESA)

Fissare il dispositivo a un televisore tramite una staffa di montaggio del monitor BRK-TV1 (venduta separatamente). Segue un esempio di installazione che usa i fori delle viti nel televisore e nel relativo supporto.

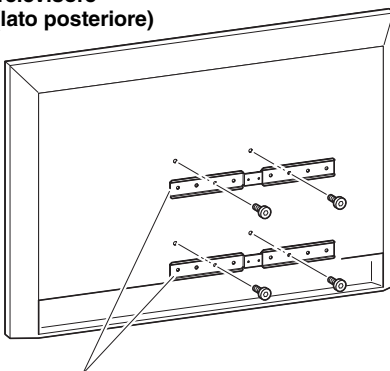
Italiano

1. Fissare la staffa di montaggio del monitor (verticale), la staffa di montaggio del monitor (per il montaggio su una staffa di montaggio su parete) e la staffa di montaggio su parete tramite le viti incluse con le stesse.



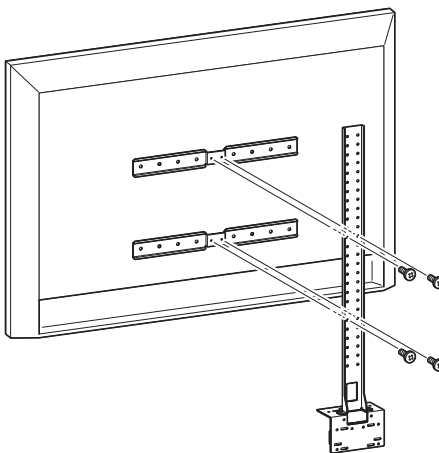
- 2. Fissare le due staffe di montaggio del monitor (orizzontali) al televisore tramite le viti incluse.**

Televisore
(lato posteriore)



Staffa di montaggio del monitor (orizzontale)

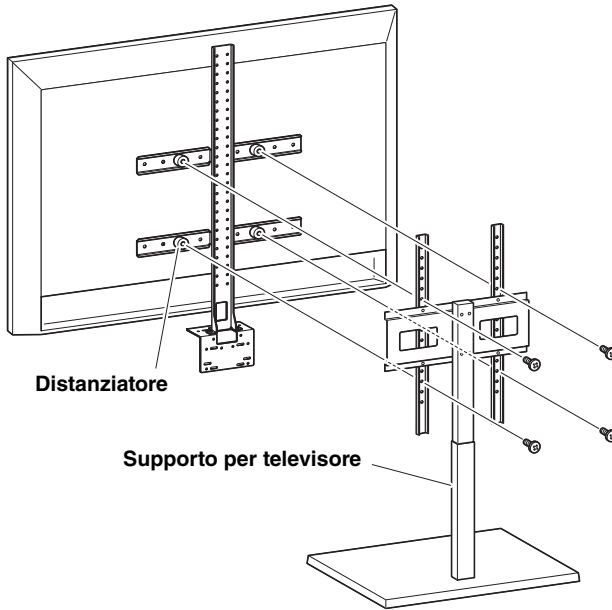
- 3. Fissare le staffe montate al punto 1 a quelle installate al punto 2.**



IMPORTANTE

Scegliere la corretta posizione di montaggio per il televisore.

4. Fissare a un supporto per televisore.



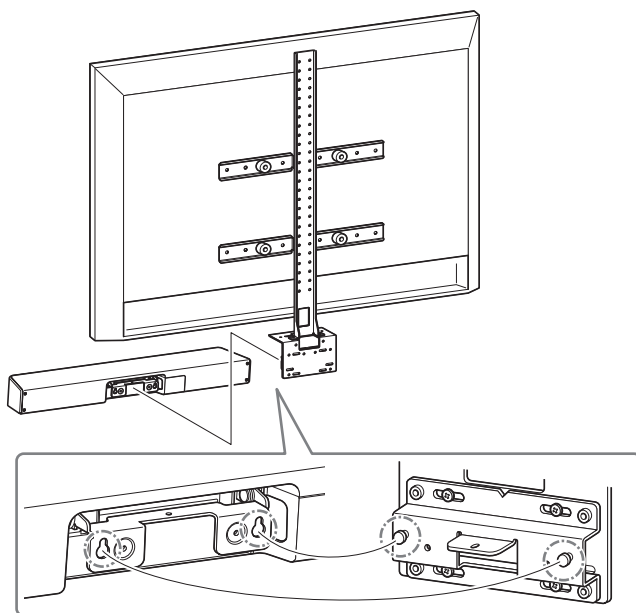
Distanziatore

Supporto per televisore

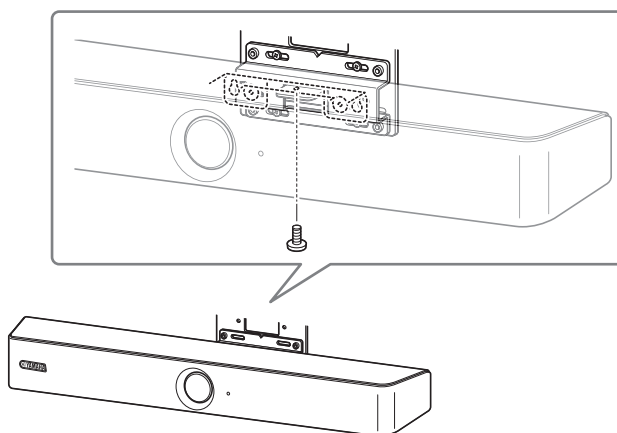
IMPORTANTE

A seconda della configurazione del supporto per televisore, fissare saldamente anche i distanziatori inclusi con la staffa di montaggio del monitor BRK-TV1 (venduta separatamente).

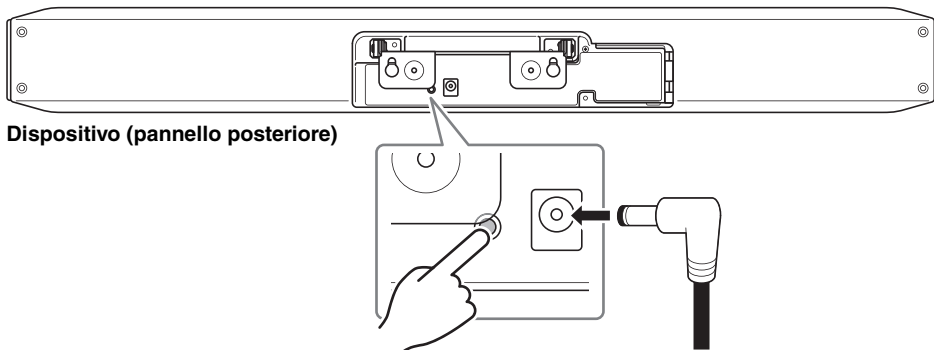
5. Appendere il dispositivo sulla staffa di montaggio per monitor installata al punto 1.



6. Fissare il lato inferiore del dispositivo tramite la vite inclusa.




Ripristino delle impostazioni predefinite di fabbrica (ripristino dei valori di fabbrica)



Dispositivo (pannello posteriore)

Per ripristinare le impostazioni predefinite di fabbrica del dispositivo, avviarlo collegando il cavo d'alimentazione mentre si tiene premuto il pulsante [FUNCTION]. Collegato il cavo di alimentazione, mantenere premuto il pulsante [FUNCTION] per almeno 5 secondi. Quando l'indicatore di stato sul pannello anteriore del dispositivo passa da lampeggiante arancione a bianco fisso, il dispositivo è stato ripristinato ai valori di fabbrica.

Specifiche principali

Dimensioni		620 mm (L) × 90 mm (P) × 70 mm (A)
Peso		1,7 kg
Alimentazione		20 V CC/2,1 A, CW2002100 (100 V – 240 V, 50 Hz/60 Hz) 
Consumo massimo		42 W
Temperatura	Operativa	0 °C – 40 °C
	Conservazione	-20 °C – 60 °C
Umidità	Operativa	20% – 85% (senza condensa)
	Conservazione	20% – 85% (senza condensa)
Elementi inclusi		CS-800 (dispositivo), Leggi prima, Guida alla sicurezza, Guida rapida (questo manuale), cavo USB 2.0 (tipo C-A), cavo HDMI, coperchio dell'obiettivo, coperchio del terminale, telecomando, batteria a pastiglia (CR2032) × 2, adattatore CA con cavo d'alimentazione (CW2002100), supporto da tavolo, staffa di montaggio su parete, viti di montaggio, chiave esagonale
Elementi venduti separatamente		Staffa di montaggio del monitor (accessorio per il montaggio VESA) BRK-TV1, cavi USB fibra ottica CBL-L10AC e CBL-L25AC

Содержание



Введение	123
О данном руководстве.....	123
Элементы, входящие в комплект	124
Элементы, продаваемые отдельно	124
Доступные руководства.....	125
Доступные утилиты	125
Обновление встроенного ПО	125
Элементы управления и разъемы	126
Передняя панель	126
Задняя панель	127
Пульт ДУ	128
Подключения и настройка	129
Настройка эталонных параметров	129
Источник питания.....	131
Установка и замена батареек в пульте ДУ.....	131
Сопряжение устройства и пульта ДУ	132
Настройка необходимых параметров для использования собственного ПК или интеллектуального устройства	133
Установка драйвера DisplayLink®	133
Выбор устройства на компьютере	133
Конфигурация устройства с экрана телевизора (экранное меню).....	134
Использование меню настроек	134
Установка крышки разъема	135
Установка настольного штатива	135
Установка кронштейна для монтажа на стене	136
Установка на стене	136
Установка монтажного кронштейна для монитора (VESA)	137
Восстановление заводских настроек по умолчанию (аппаратный сброс)	141
Основные технические характеристики	141

Введение

Благодарим за покупку продукта Yamaha CS-800. Данный продукт представляет собой систему видеоконференц-связи для проведения дистанционных конференций в помещениях и переговорных комнатах, где собираются вместе много людей. Ее можно использовать в качестве аудио или видео устройства в сочетании с настройкой вашей системы унифицированных коммуникаций. Для обеспечения комфортной совместной работы в дистанционном режиме данное устройство оснащено высококачественной камерой, микрофоном и динамиком.

О данном руководстве

- В данном руководстве используются следующие сигнальные слова для обозначения важной информации.

 ПРЕДУПРЕЖДЕНИЕ	Данная информация предупреждает о риске гибели или получения серьезных травм.
 ВНИМАНИЕ	Данная информация предупреждает о риске получения травмы.
УВЕДОМЛЕНИЕ	Указания, которые необходимо соблюдать во избежание неисправности, повреждения или нарушения работы продукта, а также потери данных.
ВАЖНО	С данной информацией необходимо ознакомиться, чтобы использовать продукт надлежащим образом.
ПРИМЕЧАНИЕ	Данная информация связана с использованием продукта. Ознакомьтесь с ней для справки.

- Иллюстрации в данном руководстве приведены только в качестве примеров.
- Названия компаний и изделий в данном руководстве являются товарными знаками или зарегистрированными товарными знаками соответствующих компаний.
- Компания Yamaha постоянно выпускает усовершенствования и обновления программного обеспечения, прилагаемого к данному продукту. Последнюю версию программного обеспечения можно загрузить с веб-сайта Yamaha.
- В содержании данного руководства приведены последние на момент публикации технические характеристики. Для получения последней версии руководства посетите веб-сайт Yamaha и загрузите файл с руководством.

Элементы, входящие в комплект

- CS-800 (устройство)
- Прочтите это в первую очередь
- Руководство по безопасности
- Краткое руководство (настоящий документ)
- Кабель USB 2.0 (тип C-A, 5 м)
- Кабель HDMI (2 м)
- Пульт ДУ
- Колпачок объектива
- Крышка разъема
- Аккумулятор таблеточного типа (CR2032) × 2
- Адаптер переменного тока с кабелем питания (CW2002100)
- Настольный штатив
- Кронштейн для монтажа на стене
- Винты
 - Винт крышки разъема (2,5 мм × 8 мм) × 2
 - Шестигранный винт (M3 × 6 мм) для настольного штатива × 2
 - Шестигранный винт (M3 × 8 мм) для кронштейна для монтажа на стене × 1
- Шестигранный гаечный ключ

Элементы, продаваемые отдельно

- Монтажный кронштейн для монитора (монтажное приспособление) BRK-TV1
Он требуется для установки устройства на крепление VESA для телевизора.
- USB-кабели: CBL-L10AC (10 метров), CBL-L25AC (25 метров)
Это оптоволоконные USB-кабели. Они используются, когда устройство и компьютер находятся в разных местах. Они поддерживают стандарт USB 3.2 Gen2 (Super Speed Plus) и позволяют устанавливать соединение на высокой скорости до 10 Гбит/с.

ПРИМЕЧАНИЕ

Стандарты VESA – это международные стандарты, которые определяют расстояние между отверстиями для винтов, которые используются при креплении видео оборудования, например, телевизоров, на настенных кронштейнах и стойках для телевизора.

Доступные руководства

Руководства для данного продукта можно загрузить в формате PDF со следующего веб-сайта.

США и Канада

<https://uc.yamaha.com/support/>

Другие страны

<https://download.yamaha.com/>

- Прочтите в первую очередь (прилагается)
В этом документе описываются действия, которые необходимо выполнить сразу после приобретения продукта.
- Руководство по безопасности для CS-800 (прилагается)
В этом документе изложены меры предосторожности для безопасного использования данного продукта.
- Краткое руководство для CS-800 (настоящий документ, прилагается)
В этом документе представлена основная информация по использованию продукта, в частности, названия компонентов, процедуры установки и операции по настройке, а также подробные сведения о том, где можно получить другую сопутствующую информацию.
- Руководство пользователя для CS-800
Этот документ содержит подробную информацию по использованию данного продукта. В нем также объясняется, как использовать Yamaha CS Manager на компьютере для настройки устройства и управления им.

Доступные утилиты

Для данного продукта доступны дополнительные утилиты. Подробнее об этих программах см. в руководстве пользователя для CS-800.

- Yamaha CS Manager
Данная программа позволяет настраивать устройство и управлять им с компьютера.

Обновление встроенного ПО

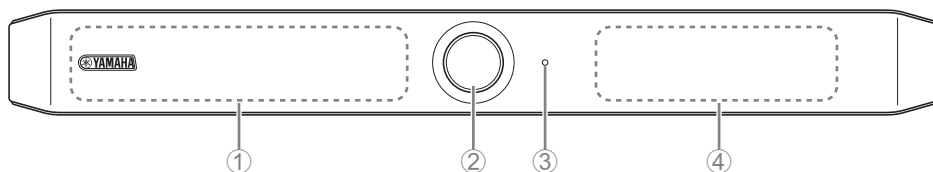
Данный продукт предусматривает обновление встроенного ПО устройства с целью улучшения производительности, добавления функций и устранения проблем.

Информация по обновлению встроенного ПО представлена на веб-сайте Yamaha.

Подробнее о процедуре обновления и настройках устройства см. в руководстве пользователя для CS-800.

Элементы управления и разъемы

Передняя панель



① Микрофон

② Камера

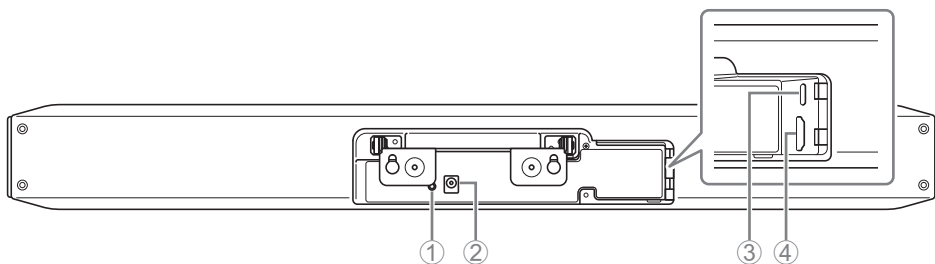
③ Индикатор состояния

Показывает состояние устройства.

Состояние индикатора		Состояние устройства
Белый (горит)		Режим ожидания
Голубой (горит)		Камера включена
Зеленый (горит)		Во время вызова
Красный (горит)		Микрофон отключен
Белый (мигает)	0,361 раз/сек	Запуск устройства
Не горит		Устройство выключено, энергосберегающий режим ожидания
Белый (мигает)	0,3 раз/сек	Мониторинг выключен
Оранжевый (мигает)	1 раз/сек	Восстановление заводских настроек, активация функции HDMI/функции DisplayLink/Bluetooth
Синий (мигает)	1 раз/сек	Сопряжение с пультом ДУ или интеллектуальным устройством
Синий (горит)	3 секунды	Уведомление о завершении сопряжения с пультом ДУ
Зеленый (мигает)	2 раза/сек	Получение вызова
Красный (мигает)	2,5 раза/сек	Аппаратная ошибка

④ Динамик

Задняя панель



① Кнопка [FUNCTION]

Может использоваться для сопряжения устройства с пультом ДУ (стр. 132) или для возврата устройства к заводским настройкам по умолчанию (стр. 141).

② Гнездо [DC-IN]

Подключите сюда адаптер переменного тока. После подключения адаптера переменного тока к гнезду [DC-IN] на задней панели, вставьте штепсель питания в электрическую розетку.

При подключении адаптера переменного тока произойдет включение устройства.

③ Порт [USB] (тип C)

Данный порт предназначен для подключения устройства к компьютеру.

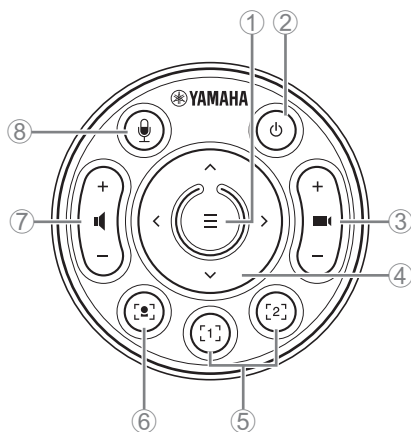
Это позволяет выводить изображение на экран компьютера и настраивать устройство. Для данного подключения используйте прилагаемый кабель USB (тип C-A). Подробнее о настройках устройства см. в руководстве пользователя для CS-800.

④ Порт [HDMI]

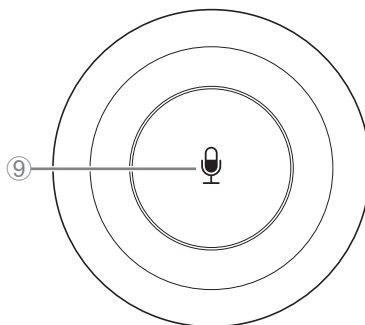
Данный порт предназначен для подключения устройства к телевизору.

Это позволяет выводить на экран телевизора изображение с компьютера, подключенного к порту [USB], и экранное меню устройства.

Пульт ДУ



Верхняя сторона



Нижняя сторона

① Кнопка меню

Может использоваться для вывода меню на экран телевизора или сопряжения устройства с пультом ДУ (стр. 132).

② Кнопка питания

Используется для включения CS-800 и перевода его в режим ожидания.

③ Кнопка масштабирования камеры

④ Кнопка панорамирования и наклона

⑤ Кнопки предварительной настройки камеры 1 и 2

⑥ Кнопка интеллектуального кадрирования

⑦ Кнопки регулировки громкости динамика

⑧ ⑨ Кнопка отключения микрофона

Подключения и настройка

Настройка эталонных параметров

■ Использование собственного ПК

Используйте данный вариант настройки, когда компьютер переносится на место проведения видеоконференции.

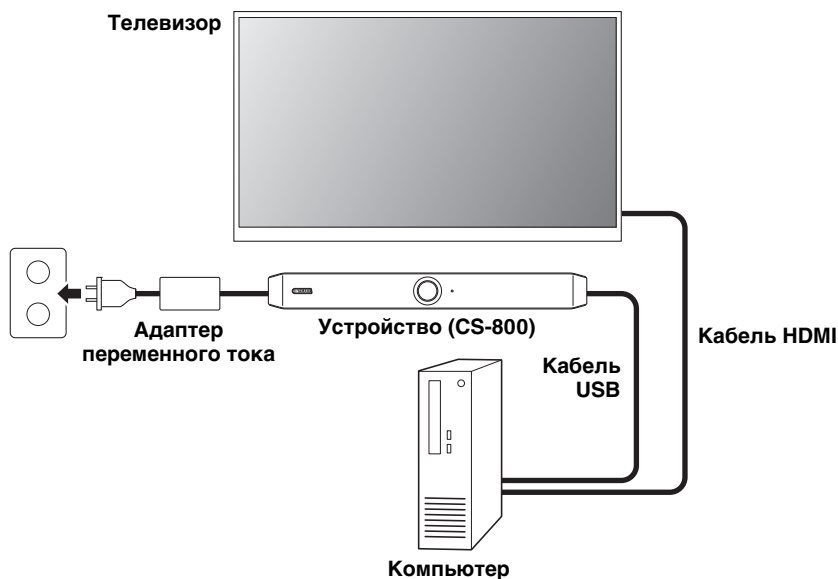


Подключите один конец прилагаемого кабеля HDMI к порту [HDMI] на устройстве, а второй конец кабеля к телевизору.

Подключите один конец прилагаемого кабеля USB к порту [USB] на устройстве, а второй конец кабеля к компьютеру.

■ Использование ПК, установленного в комнате для переговоров

Используйте данный вариант настройки, когда компьютер или планшет, выделенный для видеоконференции, установлен на месте проведения видеоконференции.

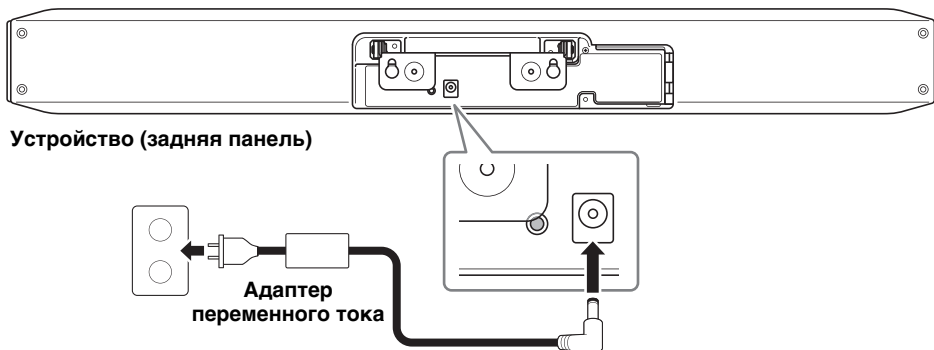


Подключите один конец прилагаемого кабеля HDMI к компьютеру, а второй конец кабеля к телевизору.

Подключите один конец прилагаемого кабеля USB к порту [USB] на устройстве, а второй конец кабеля к компьютеру.

Источник питания

Подключите один конец адаптера переменного тока к гнезду [DC-IN] на устройстве, а второй конец адаптера к электрической розетке.

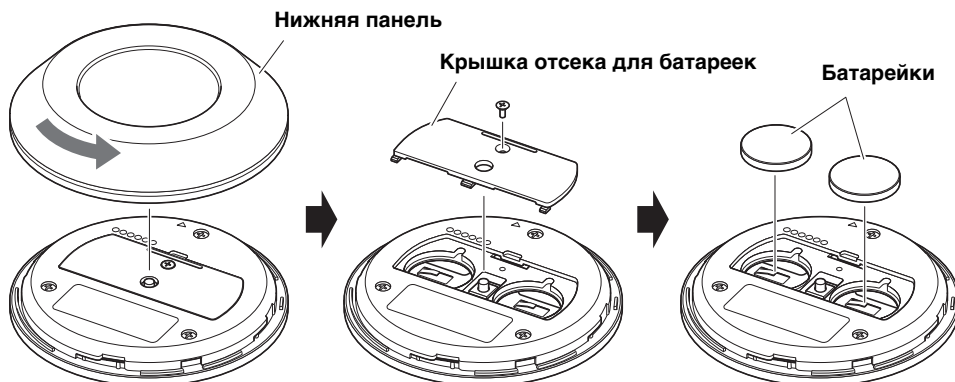


При подключении адаптера переменного тока произойдет включение устройства.

ПРИМЕЧАНИЕ

После подключения источника питания устройство можно включить или перевести в режим ожидания с помощью кнопки питания на пульте ДУ.

Установка и замена батареек в пульте ДУ

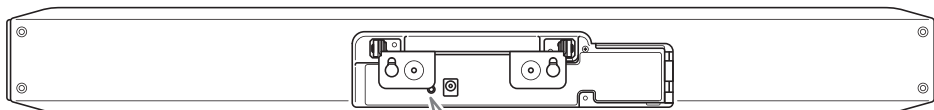


Снимите нижнюю панель и крышку отсека для батареек, затем вставьте две батарейки (CR2032).

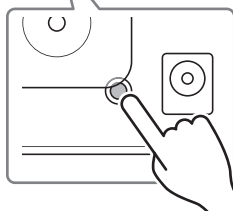
Сопряжение устройства и пульта ДУ

Для управления устройством с помощью пульта ДУ выполните описанные ниже действия, чтобы установить сопряжение между ними.

- 1. Длительно удерживайте кнопку [FUNCTION] (на задней панели устройства) не менее 2 секунд.**

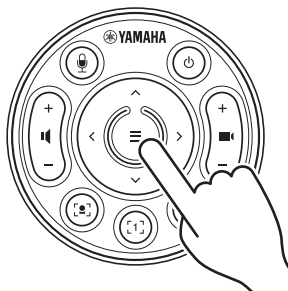


Устройство (задняя панель)



Индикатор состояния на передней панели устройства будет мигать синим.

- 2. Длительно удерживайте кнопку меню на пульте ДУ не менее 2 секунд.**

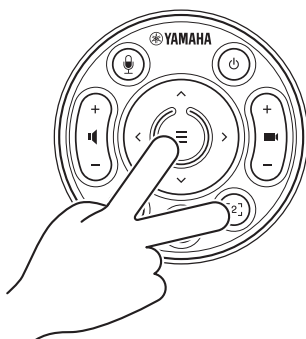


Сопряжение завершено, когда индикатор состояния на передней панели устройства загорится синим на 3 секунды.

Настройка необходимых параметров для использования собственного ПК или интеллектуального устройства

Активация функции HDMI/функции DisplayLink/Bluetooth необходима для того, чтобы использовать собственный ПК или интеллектуальное устройство.

Длительно удерживайте кнопку меню и кнопку предварительной настройки камеры 2 на пульте ДУ не менее 3 секунд.



Конфигурация завершена, когда индикатор состояния на передней панели устройства мигает оранжевым пять раз с интервалом 0,5 секунды.

Установка драйвера DisplayLink®

При использовании собственного компьютера (стр. 129), может потребоваться установка драйвера DisplayLink, в зависимости от подключенного компьютера. Загрузите последнюю версию драйвера с веб-сайта displaylink.com/downloads.

Выбор устройства на компьютере

На компьютере выберите значение «Yamaha CS-800» в качестве аудио устройства для воспроизведения и записи по умолчанию. Также в настройках вашей системы унифицированных коммуникаций выберите CS-800 в качестве аудио и видео устройства.

Конфигурация устройства с экрана телевизора (экранное меню)

Экранное меню – это функция, которая позволяет отображать меню настроек устройства на экране телевизора. Ею можно управлять с помощью пульта ДУ.

ПРИМЕЧАНИЕ

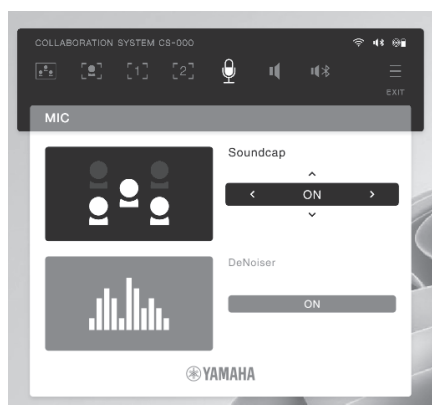
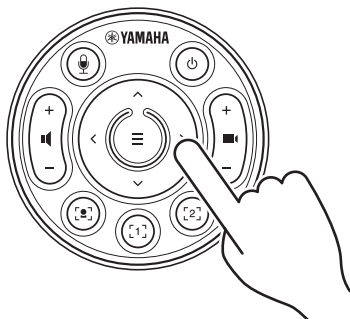
- Данная функция может использоваться при варианте настройки, когда телевизор подключен к CS-800 с помощью кабеля HDMI. Она не может использоваться в том случае, когда телевизор подключен к компьютеру с помощью кабеля HDMI.
- Для использования данной функции сначала выполните процедуру, описанную в разделе “Настройка необходимых параметров для использования собственного ПК или интеллектуального устройства” (стр. 133).

Использование меню настроек

1. Нажмите кнопку меню на пульте ДУ.

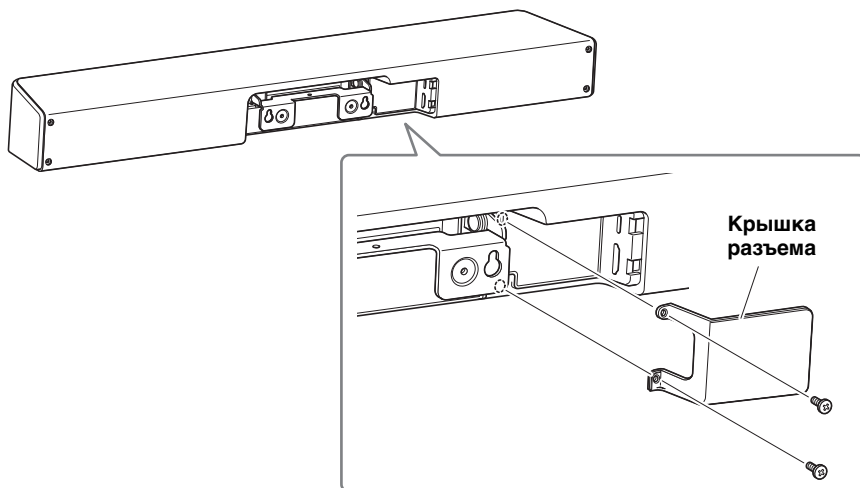
На экране телевизора появится меню настроек.

2. Перемещайтесь по меню с помощью кнопки панорамирования и наклона на пульте ДУ.



Установка крышки разъема

Прикрепите крышку разъема к устройству с помощью прилагаемых винтов.



Установка настольного штатива

Прикрепите прилагаемый настольный штатив к устройству.

- 1. Прикрепите настольный штатив к устройству с помощью прилагаемых винтов.**

Русский



Установка кронштейна для монтажа на стене



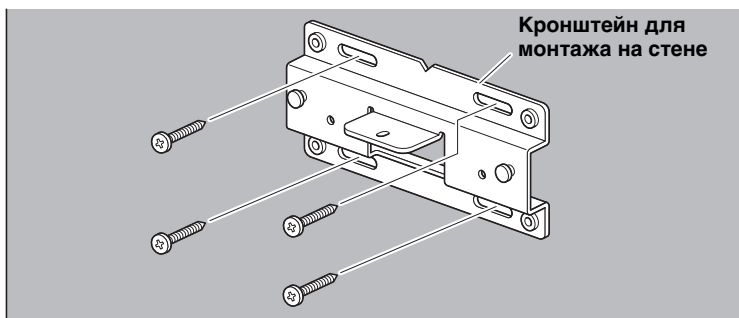
ПРЕДУПРЕЖДЕНИЕ

- Для установки монтажного кронштейна обратитесь к дилеру, у которого вы приобрели продукт, или в профессиональную подрядную организацию.
- После установки убедитесь, что CS-800 надежно зафиксировано. Регулярно проверяйте положение устройства, чтобы исключить возможность его падения или опрокидывания. Мы не несем ответственность за несчастные случаи, вызванные неправильной установкой.
- После установки не облакачивайтесь на CS-800 и не прилагайте к нему чрезмерных усилий сверху. Падение устройства может привести к травмам или повреждению.

Установка на стене

Данное устройство можно установить на стене с помощью прилагаемого монтажного кронштейна.

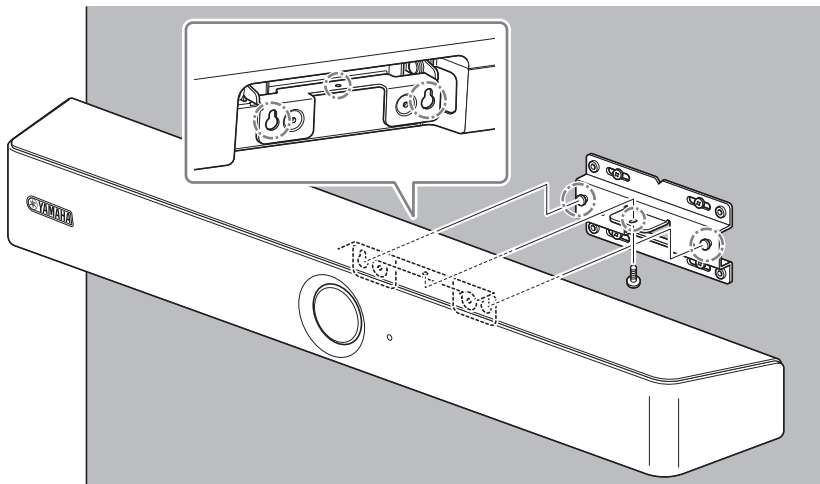
1. Прикрепите монтажный кронштейн к стене.



ВАЖНО

- Винты для крепления монтажного кронштейна к стене не прилагаются. Подготовьте достаточно прочные винты.
- Подробнее о винтах и процедуре установки вы можете узнать у дилера, у которого вы приобрели продукт, или обратитесь в профессиональную подрядную организацию.

2. Повесьте устройство на кронштейн, установленный в шаге 1.



3. С нижней стороны кронштейна для монтажа на стене зафиксируйте устройство с помощью прилагаемого винта.

Установка монтажного кронштейна для монитора (VESA)

Прикрепите устройство к телевизору с помощью монтажного кронштейна для монитора BRK-TV1 (продается отдельно). Ниже представлен пример установки, когда используются отверстия для винтов в телевизоре и стойке для телевизора.

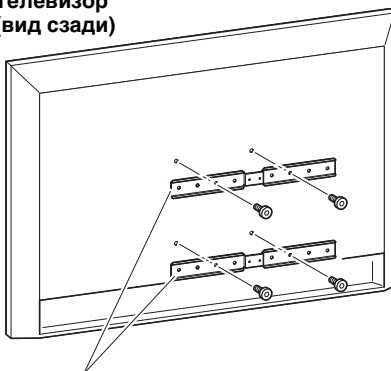
1. Прикрепите монтажный кронштейн для монитора (вертикальный), монтажный кронштейн для монитора (для установки на кронштейне для монтажа на стене) и кронштейн для монтажа на стене с помощью прилагаемых к ним винтов.



Русский

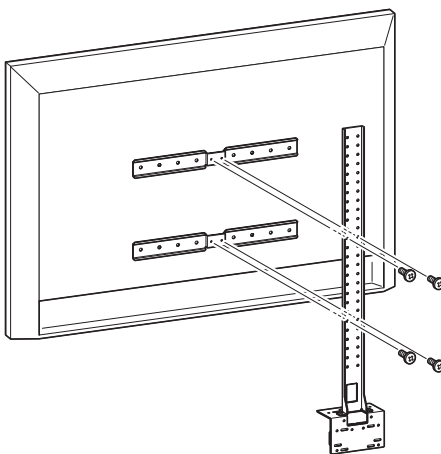
- 2.** Прикрепите два монтажных кронштейна для монитора (горизонтальных) к телевизору с помощью прилагаемых винтов.

Телевизор
(вид сзади)



Монтажный кронштейн для монитора (горизонтальный)

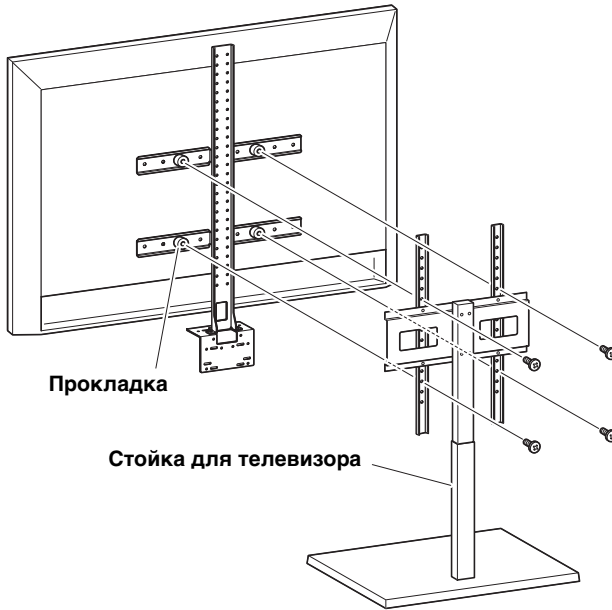
- 3.** Прикрепите кронштейны, собранные в шаге 1, к кронштейнам, установленным в шаге 2.



ВАЖНО

Выберите соответствующее монтажное положение для телевизора.

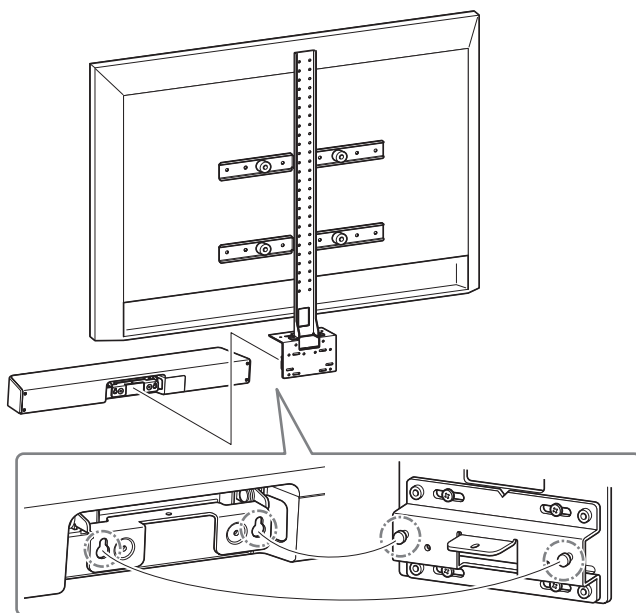
4. Прикрепите к стойке для телевизора.



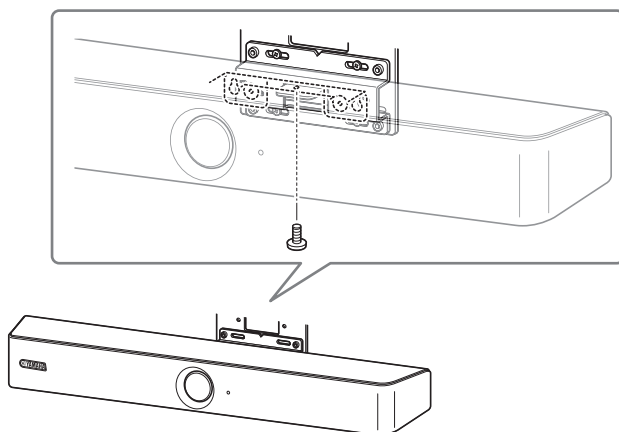
ВАЖНО

В зависимости от конфигурации стойки для телевизора плотно зафиксируйте прокладки, прилагаемые к монтажному кронштейну для монитора BRK-TV1 (продается отдельно).

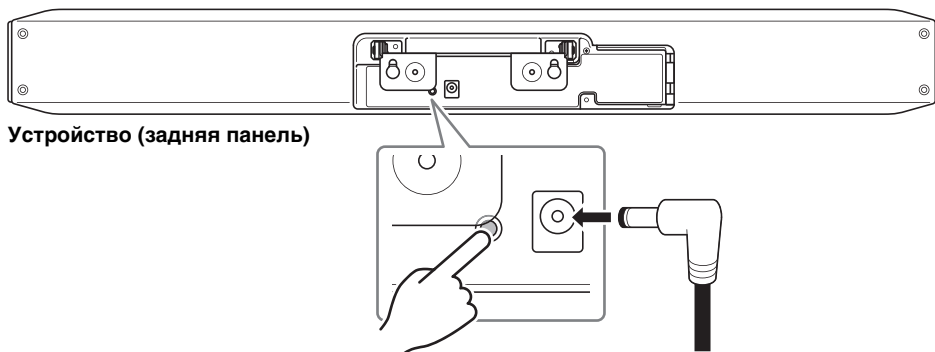
5. Повесьте устройство на кронштейн для монтажа на стене, установленный в шаге 1.



6. С нижней стороны устройства зафиксируйте его с помощью прилагаемого винта.




Восстановление заводских настроек по умолчанию (аппаратный сброс)



Для возврата устройства к заводским настройкам по умолчанию включите устройство, подключив кабель питания и удерживая при этом кнопку [FUNCTION]. После подключения кабеля питания удерживайте нажатой кнопку [FUNCTION] не менее 5 секунд. Когда индикатор состояния на передней панели устройства перестанет мигать оранжевым и начнет гореть белым постоянно, возврат устройства к заводским настройкам по умолчанию завершен.

Основные технические характеристики

Размеры		620 мм (Ш) × 90 мм (Г) × 70 мм (В)
Вес		1,7 кг
Источник питания		20 В постоянного тока/2,1 А, CW2002100 (100 В – 240 В, 50 Гц/60 Гц) 
Максимальная потребляемая мощность		42 Вт
Температура	Рабочая	0 °С – 40 °С
	Хранение	–20 °С – 60 °С
Влажность	Рабочая	20% – 85% (без конденсации)
	Хранение	20% – 85% (без конденсации)
Элементы, входящие в комплект		CS-800 (устройство), Прочтите это в первую очередь, Руководство по безопасности, Краткое руководство (настоящий документ), кабель USB 2.0 (тип C-A), кабель HDMI, колпачок объектива, крышка разъема, пульт ДУ, аккумулятор таблеточного типа (CR2032) × 2, адаптер переменного тока с кабелем питания (CW2002100), настольный штатив, кронштейн для монтажа на стене, монтажные винты, шестигранный гаечный ключ
Элементы, продаваемые отдельно		Монтажный кронштейн для монитора (монтажное приспособление VESA) BRK-TV1, оптоволоконные USB-кабели CBL-L10AC и CBL-L25AC

目录



简介	143
关于本说明书	143
随附物品	144
单独出售的物品	144
现有说明书.....	145
现有实用软件	145
更新固件	145
控件和接头	146
前面板	146
后面板	147
遥控器	148
连接和设置	149
设置示例	149
电源.....	151
插入 / 更换遥控器电池.....	151
将设备与遥控器配对	152
指定使用您自己的电脑 / 智能设备的必要设置	153
安装 DisplayLink® 驱动	153
选择电脑上的设备	153
通过电视屏幕配置设备（屏幕上的显示菜单）	154
使用设置菜单	154
安装端子盖	155
安装桌面底座	155
安装壁式安装支架	156
壁式安装	156
安装显示器的安装支架 (VESA)	157
恢复出厂默认设置（出厂重置）	161
主要规格	161

简介

感谢您购买 Yamaha CS-800。本产品是一种视频会议系统，用于在小型空间和会议室中举行远程会议。本产品可用作音频 / 视频设备，与您的统一通信设置结合使用。为实现舒适的远程协作，此设备配备了高质量的摄像头、麦克风和扬声器。

关于本说明书

· 本说明书使用以下信号词表示重要信息：

 警告	本内容表示 “有重伤或死亡的风险”。
 注意	本内容表示 “有受伤的风险”。
须知	表示为防止产品发生故障、损坏或操作不当以及数据丢失而必须遵守的内容。
重要事项	表示为正确操作和使用产品而必须知道的内容。
注	表示与操作和使用有关的信息。阅读以供参考。

- 本说明书中出现的插图仅用于说明目的。
- 本使用说明书中所使用的公司名和产品名都是各自公司的商标或注册商标。
- Yamaha 不断改进和更新本产品中包含的软件。您可以从 Yamaha 网站下载最新软件。
- 本使用说明书的内容为出版时最新的技术规格。要获取最新的说明书，请访问 Yamaha 网站，然后下载说明书文件。

随附物品

- CS-800 (设备)
- 请先阅读
- 安全须知
- 快速指南 (本说明书)
- USB 2.0 线缆 (Type C-A, 5 米)
- HDMI 线缆 (2 米)
- 遥控器
- 镜头盖
- 端子盖
- 纽扣电池 (CR2032) × 2
- 配有电源线的交流适配器 (CW2002100)
- 桌面底座
- 壁式安装支架
- 螺钉
 - 端子盖螺钉 (2.5 毫米 × 8 毫米) × 2
 - 用于桌面底座的六角螺丝 (M3 × 6 毫米) × 2
 - 用于壁式安装支架的六角螺丝 (M3 × 8 毫米) × 1
- 六角扳手

单独出售的物品

- 显示器安装支架 (安装配件) BRK-TV1
要将设备安装到电视的 VESA 支架, 必须使用此产品。
- USB 线缆: CBL-L10AC (10 米)、CBL-L25AC (25 米)
有一种光纤 USB 线缆, 可在设备和电脑分开时使用。这些线缆支持 USB 3.2 Gen2 (超高速 Plus), 能够以高达 10 Gbps 的超高速通信。

注

VESA 标准是国际标准, 定义了将视频设备 (如电视) 添加到壁挂支架和电视柜时, 所用螺丝孔之间的间隔。

现有说明书

本产品说明书可从下列网站中以 PDF 格式下载。

美国和加拿大

<https://uc.yamaha.com/support/>

其他国家和地区

<https://download.yamaha.com/>

- 请先阅读（随附）
以下内容描述了购买产品后首先要做的事情。
- CS-800 安全须知（随附）
包含了安全使用本产品的注意事项。
- CS-800 快速指南（本说明书，随附）
主要提供了使用本产品的基本信息，例如部件名称、安装程序和设置操作，以及从何处获取其他相关信息的详情。
- CS-800 用户指南
这一指南提供了使用本产品的详细信息。还介绍了如何在您的电脑上使用 Yamaha CS Manager 以配置和操作设备。

现有实用软件

适用于本产品的可用实用软件。如需有关本软件的详细信息，请参阅 CS-800 用户指南。

- Yamaha CS Manager
这是一款可让您从电脑上配置和操作设备的软件。

更新固件

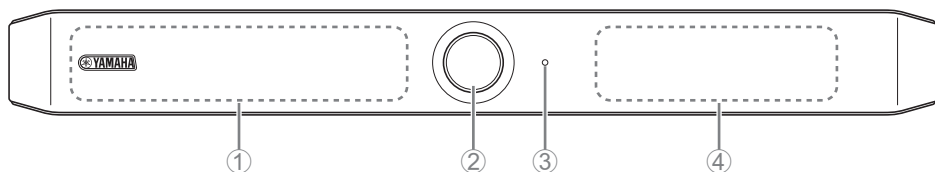
本产品旨在更新设备上的固件，以便提高可操作性、添加功能和修复问题。

Yamaha 网站提供了更新固件的信息。

有关更新步骤和设备设置的详情，请参阅 CS-800 用户指南。

控件和接头

前面板



① 麦克风

② 摄像头

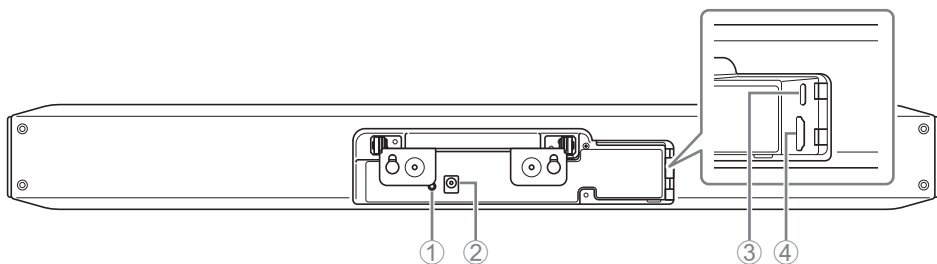
③ 状态指示灯

指示设备的状态。

指示灯状态		设备状态
白色 (亮起)		待机
浅蓝 (亮起)		摄像头正在使用中
绿色 (亮起)		通话中
红色 (亮起)		麦克风已静音
白色 (闪烁)	0.361 次 / 秒	正在启动
未亮起		已关闭; 省电待机模式
白色 (闪烁)	0.3 次 / 秒	监控关闭
橙色 (闪烁)	1 次 / 秒	出厂重置; 激活 HDMI 功能 / DisplayLink 功能 / 蓝牙
蓝色 (闪烁)	1 次 / 秒	与遥控器或智能设备配对
蓝色 (亮起)	3 秒	遥控配对完成通知
绿色 (闪烁)	2 次 / 秒	接听电话
红色 (闪烁)	2.5 次 / 秒	硬件错误

④ 扬声器

后面板



① [FUNCTION] 按钮

可用于将设备与遥控器配对（第 152 页），或让设备恢复出厂默认设置（第 161 页）。

② [DC-IN] 插孔

在此处连接交流适配器。将交流适配器连接到后面板上的 [DC-IN] 插孔后，请将电源插头插入电源插座。

插入交流适配器即可打开设备。

③ [USB] 端口 (Type C)

此端口用于将设备连接到电脑。

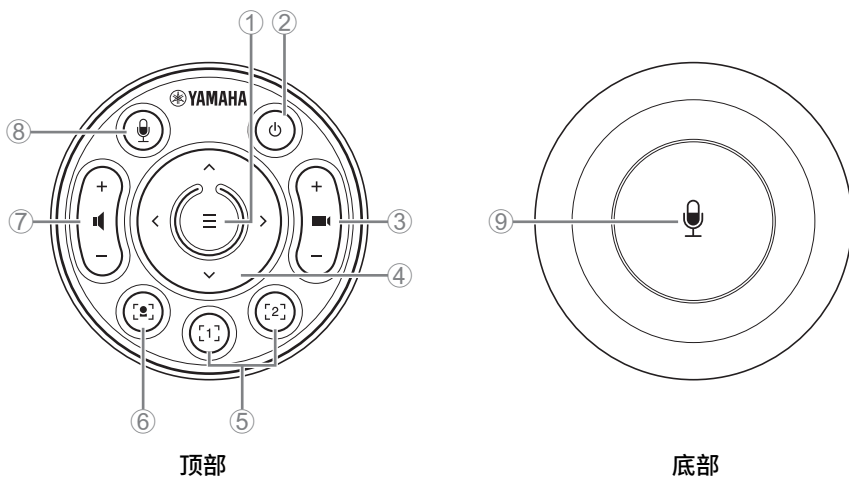
这样可显示电脑屏幕并配置设备。使用随附的 USB 线缆 (Type C-A) 进行连接。有关设备配置的详细信息，请参阅 CS-800 用户指南。

④ [HDMI] 端口

此端口用于将设备连接到电视。

这可使电视展示已连接 [USB] 端口的电脑屏幕和设备的屏幕显示。

遥控器



① 菜单按钮

可用于展示电视上的菜单，或将设备与遥控器配对（第 152 页）。

② 电源按钮

用于打开 CS-800/ 待机。

③ 摄像头变焦按钮

④ 水平 / 倾斜按钮

⑤ 摄像头预设按钮 1 和 2

⑥ 智能取景按钮

⑦ 扬声器音量按钮

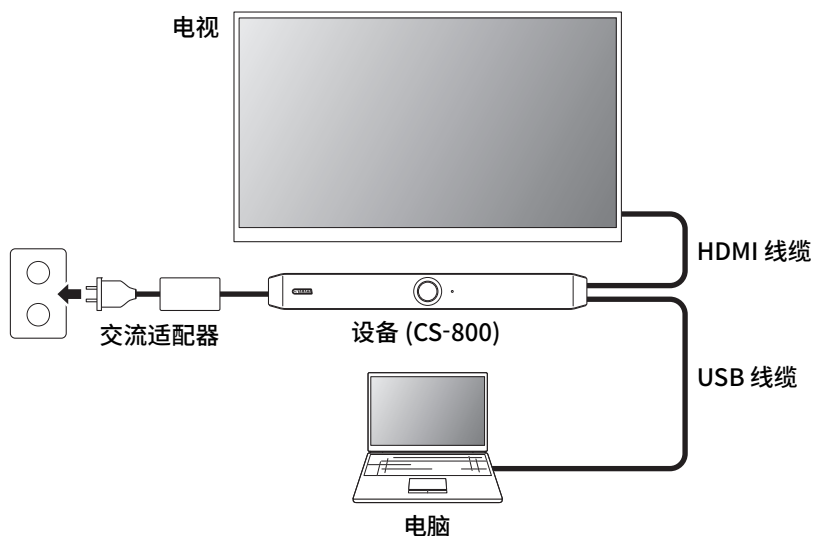
⑧ ⑨ 麦克风静音按钮

连接和设置

设置示例

■ 携带您自己的 PC 时

如果要将电脑带至举行视频会议的地点，使用此安装步骤。

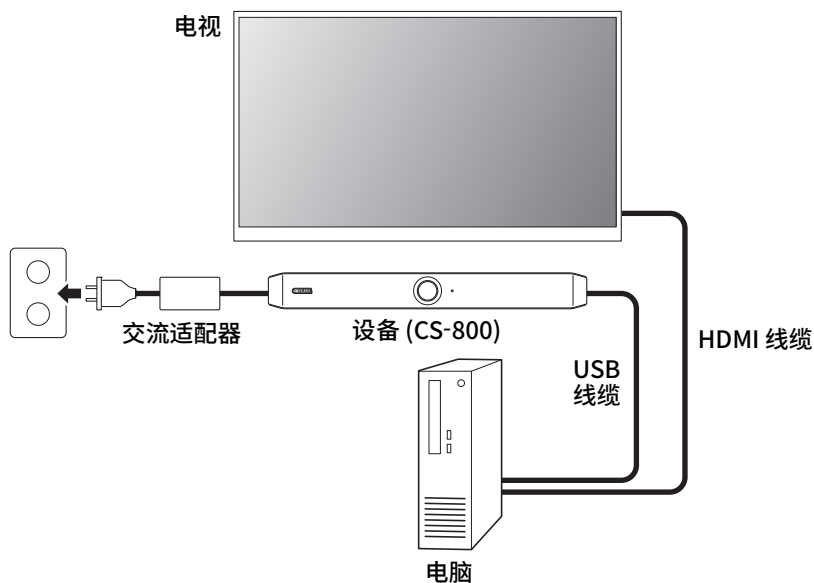


将随附的 HDMI 线缆的一端连接至设备上的 [HDMI] 端口，然后再将另一端连接至电视。
将随附的 USB 线缆的一端连接至设备上的 [USB] 端口，然后再将另一端连接至电脑。

连接和设置

■ 使用会议室 PC 时

如果视频会议专用的电脑或平板电脑安装在举行视频会议的位置，则使用此安装步骤。

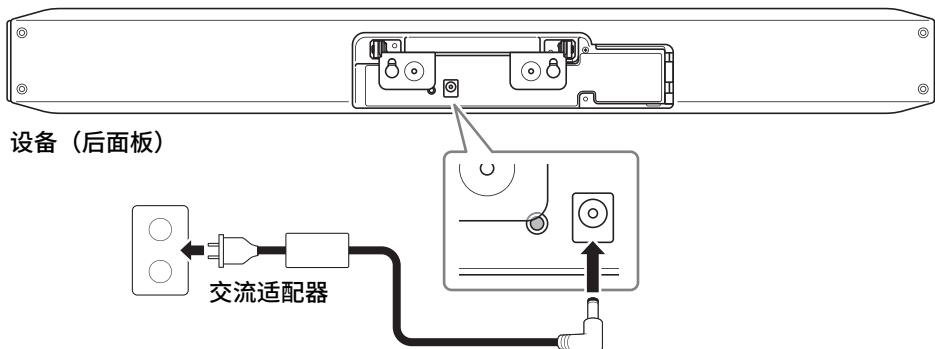


将随附的 HDMI 线缆的一端连接至电脑，然后再将另一端连接至电视。

将随附的 USB 线缆的一端连接至设备上的 [USB] 端口，然后再将另一端连接至电脑。

电源

将交流适配器的一端插入设备上的 [DC-IN] 插孔，然后再将另一端插入电源插座。

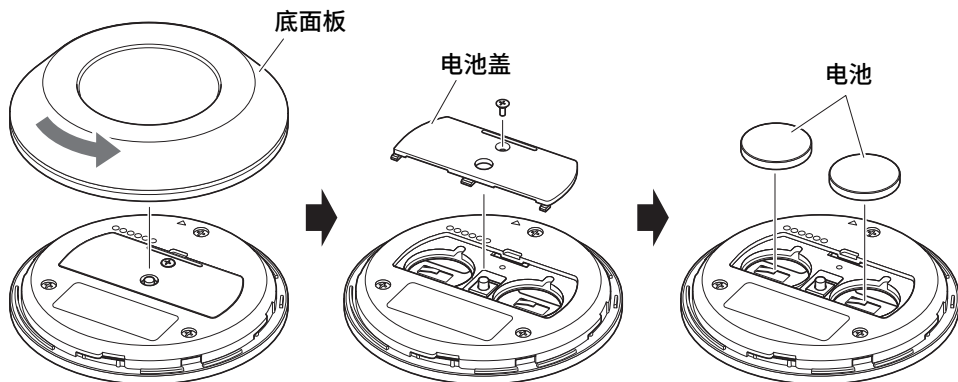


插入交流适配器即可打开设备。

注

在连接电源后，此设备可通过遥控器上的电源按钮打开或设置为待机。

插入 / 更换遥控器电池

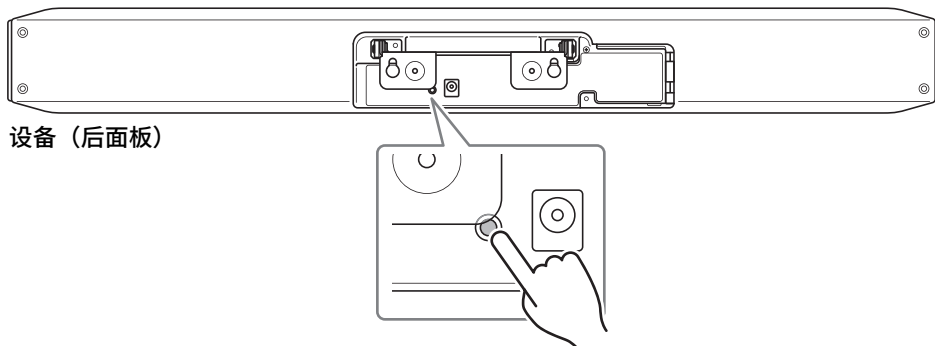


移除底面板和电池盖，然后插入两节电池 (CR2032)。

将设备与遥控器配对

为使用遥控器操控设备，请按照以下步骤对它们进行配对。

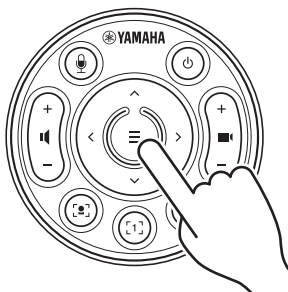
1. 长按 [FUNCTION] 按钮（在设备的后面板上）至少 2 秒。



设备（后面板）

设备前面板上的状态指示灯呈蓝色闪烁。

2. 在遥控器上长按菜单按钮至少 2 秒。



设备前面板上的状态指示灯呈蓝色亮起 3 秒后，即表示配对完成。

指定使用您自己的电脑 / 智能设备的必要设置

要使用您自己的电脑 / 智能设备，需要激活 HDMI 功能 / DisplayLink 功能 / 蓝牙。

在遥控器上长按菜单按钮和摄像头预设按钮 2 按钮至少 3 秒。



设备前面板上的状态指示灯每隔 0.5 秒呈橙色闪烁 5 次，即表示配置完成。

安装 DisplayLink® 驱动

在使用您自己的电脑 (第 149 页) 时，根据连接的电脑安装 DisplayLink 驱动是至关重要的。通过 displaylink.com/downloads 下载最新的驱动。

选择电脑上的设备

在电脑上，选择“Yamaha CS-800”作为默认的音频播放 / 录制设备。此外，在您的统一通信应用程序中，选择 CS-800 作为视频 / 音频设备。

通过电视屏幕配置设备（屏幕上的显示菜单）

屏幕上的显示菜单是用于在电视屏幕上显示设备的设置菜单的功能。该功能可以通过遥控器进行操作。

注

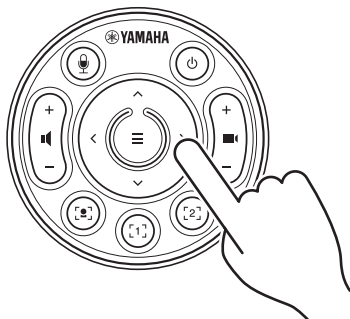
- 如果电视通过 HDMI 线缆连接至 CS-800，则可在设置中使用此功能。如果电视通过 HDMI 线缆连接至电脑，则无法在设置中使用此功能。
- 为了使用此功能，请先按照“指定使用您自己的电脑 / 智能设备的必要设置”（第 153 页）中的步骤操作。

使用设置菜单

1. 在遥控器上按下菜单按钮。

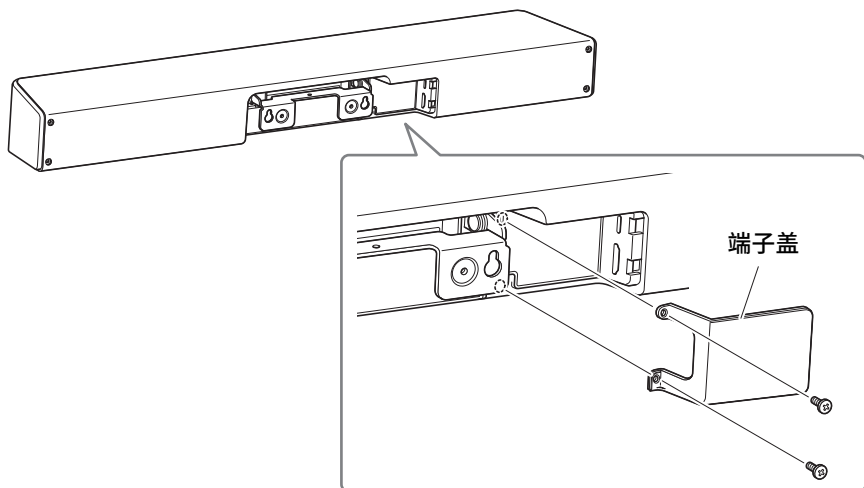
电视上将显示设置菜单。

2. 使用遥控器上的水平 / 倾斜按钮进行导航。



安装端子盖

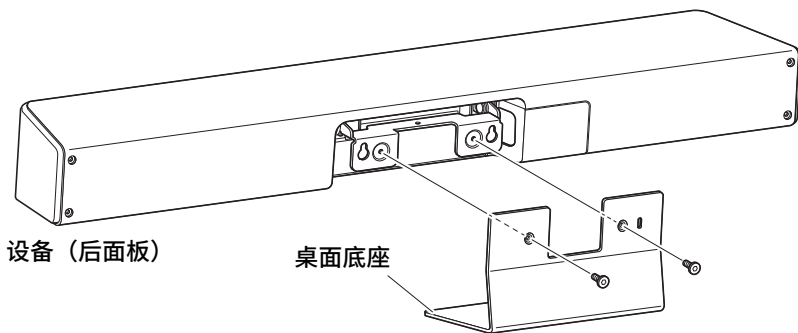
使用随附的螺钉，将端子盖固定到设备上。



安装桌面底座

将随附的桌面底座固定到设备上。

1. 使用随附的螺钉，将桌面底座固定到设备上。



安装壁式安装支架



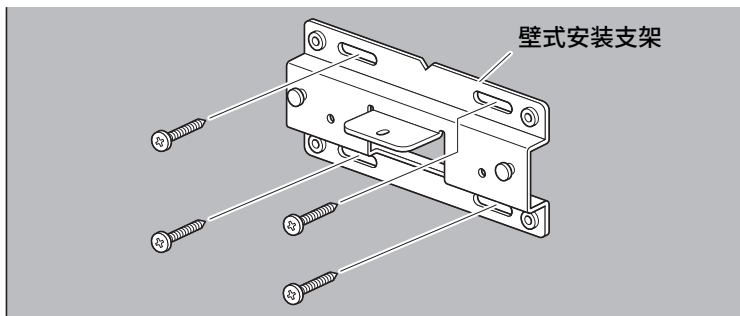
警告

- 通过您购买产品的经销商或专业承包商，确保已安装了安装支架。
- 安装后，确保已将 CS-800 牢牢固定。此外，经常检查以防止设备掉落或翻倒。对于因安装不当而导致的事故，我们不承担负责。
- 安装后，请不要斜靠在 CS-800 上，也不要从上面对其施加强压。如果设备掉落，可能会导致人身伤害或产品损坏。

壁式安装

通过随附的壁式安装支架，此设备可以安装到墙上。

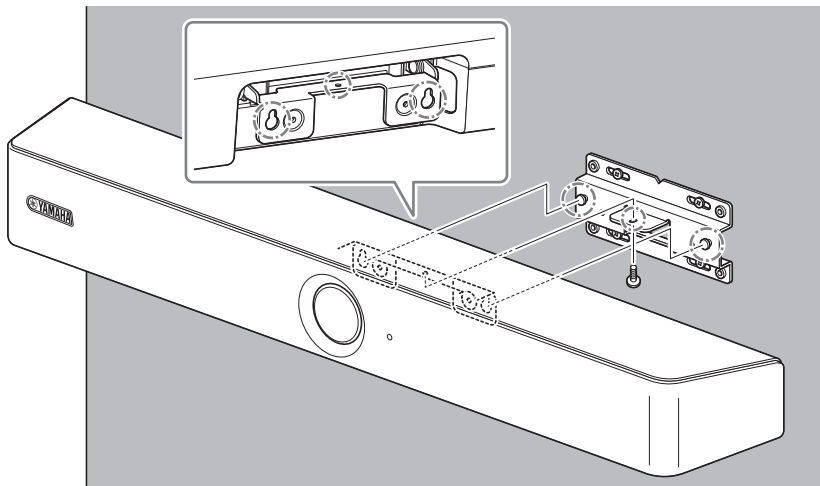
1. 将壁式安装支架安装在墙上。



重要事项

- 不随附将壁式安装支架安装在墙上的螺钉。准备足够坚固的螺钉。
- 有关螺钉和安装的详细信息，请确保联系购买本产品的经销商或专业承包商。

2. 将设备悬挂于步骤 1 中安装的支架上。

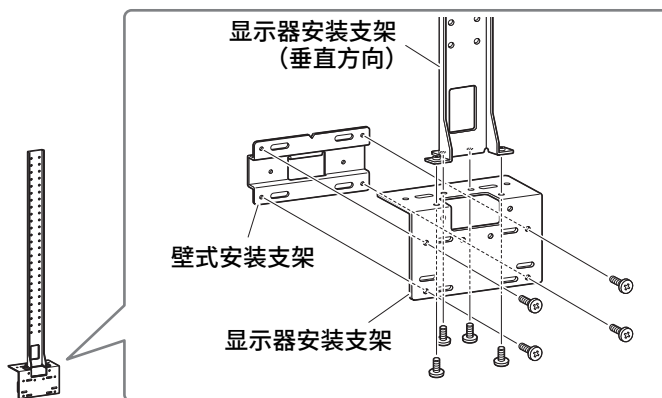


3. 在壁式安装支架的底部，使用随附的螺钉固定设备。

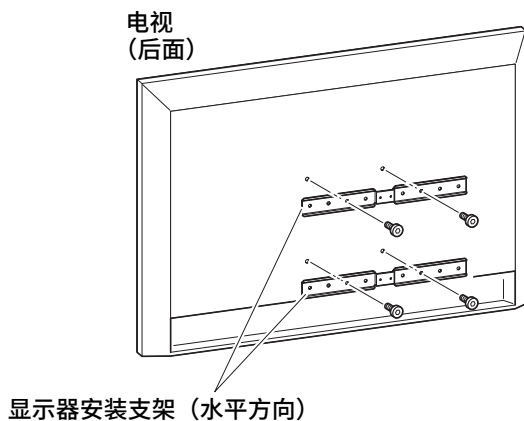
安装显示器的安装支架 (VESA)

使用显示器安装支架 BRK-TV1 (单独出售)，将设备连接到电视上。以下是使用电视螺孔和电视柜的安装示例。

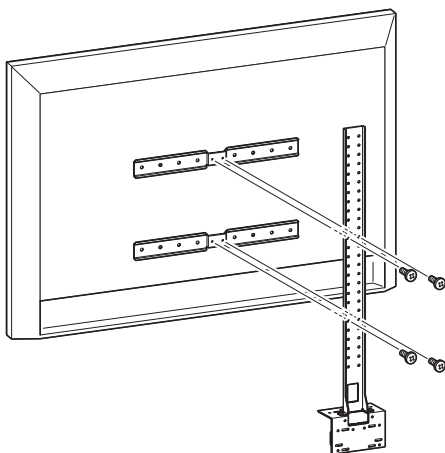
1. 使用随附的螺钉，安装固定显示器安装支架 (垂直方向)、显示器安装支架 (用于安装到壁式安装支架) 以及壁式安装支架。



2. 通过使用随附螺钉，将两个显示器安装支架（垂直方向）安装到电视上。



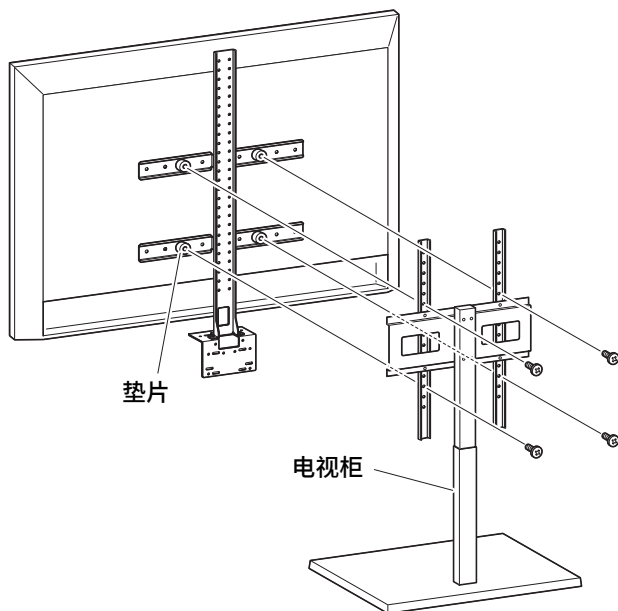
3. 将步骤 1 中组装的支架安装到步骤 2 中安装的支架上。



重要事项

为电视选择合适的安装位置。

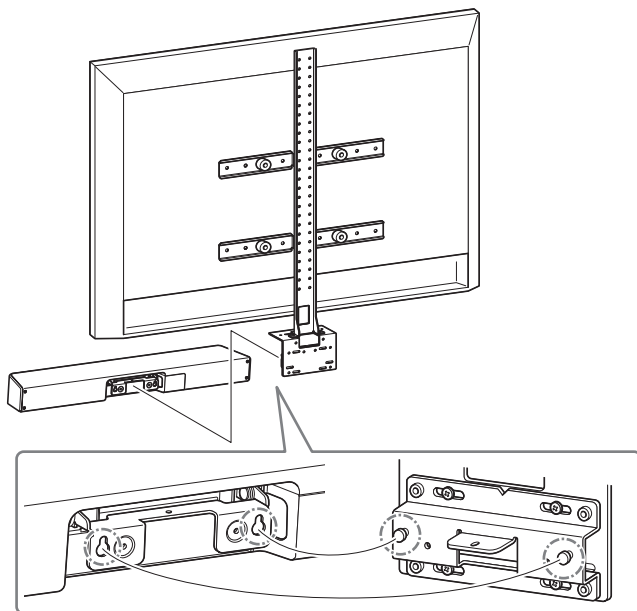
4. 安装到电视柜上。



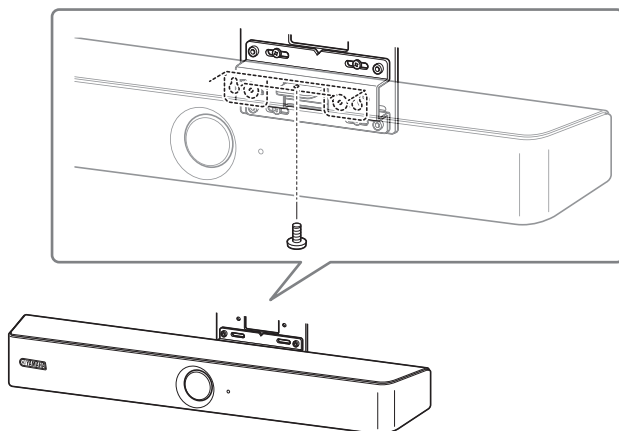
重要事项

根据电视柜的配置，牢牢固定显示器安装支架 BRK-TV1（单独出售）随附的垫片。

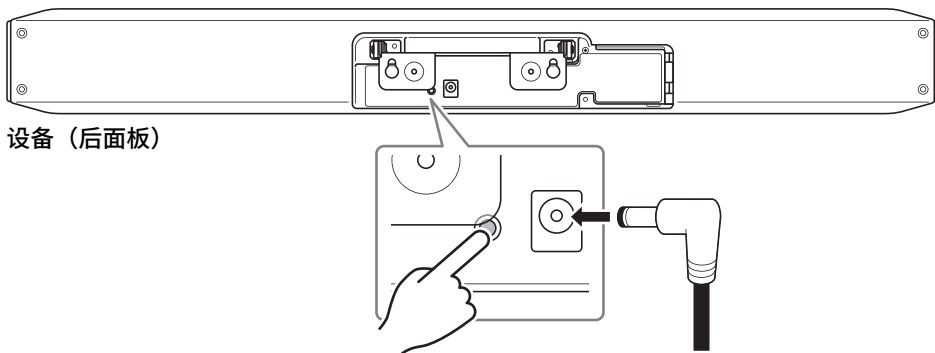
5. 将设备悬挂于步骤 1 中安装的壁式安装支架。



6. 使用随附的螺钉在设备底部牢牢固定。



恢复出厂默认设置（出厂重置）



要恢复设备的出厂默认设置，请在按住 [FUNCTION] 按钮时通过连接电源线来启动设备。连接电源线后，按住 [FUNCTION] 按钮至少 5 秒。设备前面板的状态指示灯从橙色闪烁改为白色亮起，则此设备恢复了出厂默认设置。

主要规格

尺寸	620 毫米（宽）× 90 毫米（长）× 70 毫米（高）	
重量	1.7 千克	
电源	20 V 直流 / 2.1 A, CW2002100 (100 V - 240 V, 50 Hz/60 Hz)	
最大功耗	42 W	
温度	工作	0 °C - 40 °C
	存储	-20 °C - 60 °C
湿度	工作	20% - 85% (非冷凝)
	存储	20% - 85% (非冷凝)
随附物品	CS-800 (设备), 请先阅读, 安全须知, 快速指南 (关于本说明书), USB 2.0 线缆 (Type C-A), HDMI 线缆, 镜头盖, 端子盖, 遥控器, 纽扣电池 (CR2032) × 2, 配有电源线的交流适配器 (CW2002100), 桌面底座, 壁式安装支架, 安装螺钉, 六角扳手	
单独出售的物品	显示器安装支架 (VESA 安装配件) BRK-TV1、光纤 USB 线缆 CBL-L10AC 和 CBL-L25AC	

目錄



簡介	163
關於本手冊	163
隨附物品	164
另售物品	164
可用的手冊.....	165
可用的公用程式軟體	165
更新韌體	165
控制項與接頭	166
前面板	166
後面板	167
遙控器	168
連接與設置	169
設置範例	169
電源.....	171
插入 / 更換遙控器電池	171
配對裝置與遙控器	172
指定使用自己的電腦／智慧型裝置的必要設定	173
安裝 DisplayLink® 驅動程式	173
在電腦上選擇裝置	173
從電視螢幕（螢幕顯示選單）設定裝置	174
使用設定選單	174
安裝端子蓋	175
安裝桌架	175
安裝壁掛架	176
牆壁安裝	176
安裝顯示器固定架 (VESA)	177
恢復為出廠預設設定（出廠重設）	181
主要規格	181

簡介

感謝您購買 Yamaha CS-800。本產品為視訊會議系統，方便您在擁擠的空間及會議室內舉行遠端會議。本產品可搭配您的整合通訊裝置，作為音訊 / 視訊裝置使用。本裝置配備高品質的攝影機、麥克風及喇叭，協助您舒適地進行遠端協作。

關於本手冊

- 本手冊使用以下警示語來表示重要資訊：

 警告	此內容表示「有嚴重受傷或死亡的危險」。
 注意	此內容表示「有受傷的危險」。
須知	表示您應當遵守的內容，以免產品發生故障、損壞或運作異常及資料遺失。
重要	表示您應該知道的內容，確保正確操作及使用產品。
註	表示有關操作及使用的資訊。請閱讀此資訊以供參考。

- 本手冊中所示的插圖僅用於說明目的。
- 本手冊中的公司名稱及產品名稱是其各自公司的商標或註冊商標。
- Yamaha 持續對本產品中含有的軟體進行改善和更新。您可以從 Yamaha 網站下載最新軟體。
- 本手冊的內容為截至印製日期的最新規格。若要取得最新手冊，請瀏覽 Yamaha 網站並下載手冊檔案。

隨附物品

- CS-800 (本裝置)
- 請先閱讀
- 安全須知
- 快速指南 (本手冊)
- USB 2.0 纜線 (Type C-A, 5 m)
- HDMI 纜線 (2 m)
- 遙控器
- 鏡頭蓋
- 端子蓋
- 鈕扣型電池 (CR2032) × 2
- 交流電變壓器附電源線 (CW2002100)
- 桌架
- 壁掛架
- 螺絲
 - 端子蓋螺絲 (2.5 mm × 8 mm) × 2
 - 桌架用六角螺絲 (M3 × 6 mm) × 2
 - 壁掛架用六角螺絲 (M3 × 8 mm) × 1
- 六角扳手

另售物品

- BRK-TV1 顯示器固定架 (安裝配件)
將裝置安裝至電視的 VESA 固定架時需要用到。
- USB 纜線：CBL-L10AC (10 公尺)、CBL-L25AC (25 公尺)
這些是光纖 USB 纜線。在裝置與電腦分開時使用。支援 USB 3.2 Gen2 (Super Speed Plus)，能以高達 10 Gbps 的速度通訊。

註

VESA 標準是定義將電視等視訊設備安裝到壁掛架及電視架時所使用之螺絲孔間隔的國際標準。

可用的手冊

您可從以下網站下載 PDF 格式的產品手冊。

美國和加拿大

<https://uc.yamaha.com/support/>

其他國家

<https://download.yamaha.com/>

- 請先閱讀（隨附）
這說明購買產品後首先要做的工作。
- CS-800 安全須知（隨附）
這說明安全使用本產品的注意事項。
- CS-800 快速指南（本手冊，隨附）
這主要提供使用本產品的基本資訊，例如零件名稱、安裝程序和設定操作，以及可在哪裡取得其他相關資訊的詳細資料。
- CS-800 使用指南
這提供使用本產品的詳細資訊。此外，還有說明如何在電腦上使用 Yamaha CS Manager 設定及操作裝置。

可用的公用程式軟體

本產品有提供選購的公用程式軟體。如需此軟體的詳細資訊，請參閱 CS-800 使用指南。

- Yamaha CS Manager
此軟體可讓您從電腦上設定及操作裝置。

更新韌體

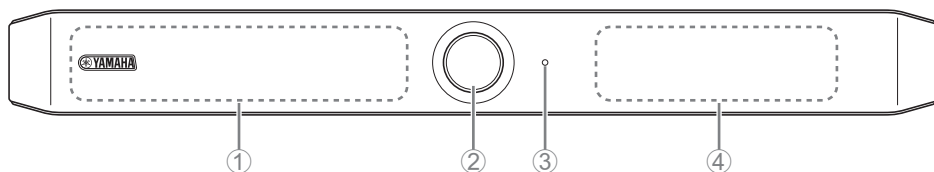
本產品在設計上允許更新裝置的韌體，用以改善操作性、新增功能及修正問題。

Yamaha 網站上有提供韌體更新的資訊。

如需更新程序及裝置設定的詳細資訊，請參閱 CS-800 使用指南。

控制項與接頭

前面板



① 麥克風

② 攝影機

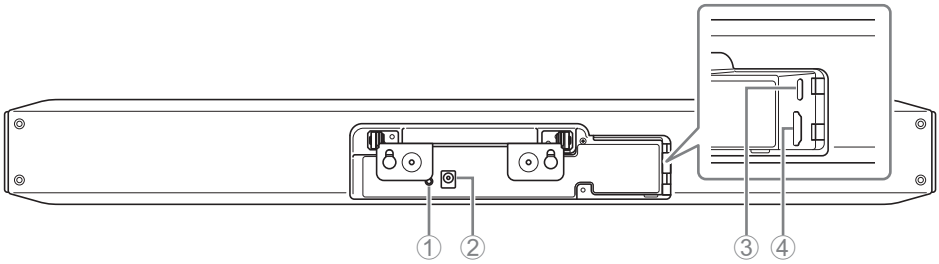
③ 狀態指示燈

指示裝置的狀態。

指示燈狀態		裝置狀態
白色 (亮起)		待機
淺藍色 (亮起)		攝影機運作中
綠色 (亮起)		通話中
紅色 (亮起)		麥克風靜音
白色 (閃爍)	每秒 0.361 次	啟動
熄滅		關閉；省電待機
白色 (閃爍)	每秒 0.3 次	監控關閉
橘色 (閃爍)	每秒 1 次	出廠重設；啟用 HDMI 功能／ DisplayLink 功能／ Bluetooth
藍色 (閃爍)	每秒 1 次	正在與遙控器或智慧型裝置配對
藍色 (亮起)	3 秒	遙控器配對完成通知
綠色 (閃爍)	每秒 2 次	正在接聽通話
紅色 (閃爍)	每秒 2.5 次	硬體錯誤

④ 喇叭

後面板



① [FUNCTION] 按鈕

可用來配對裝置與遙控器（第 172 頁），或將裝置恢復為出廠預設設定（第 181 頁）。

② [DC-IN] 插孔

在此處連接交流電變壓器。將交流電變壓器連接至後面板上的 [DC-IN] 插孔後，將電源插頭插入電源插座。

連接交流電變壓器會開啟裝置。

③ [USB] 連接埠 (Type C)

此連接埠用於將裝置連接至電腦。

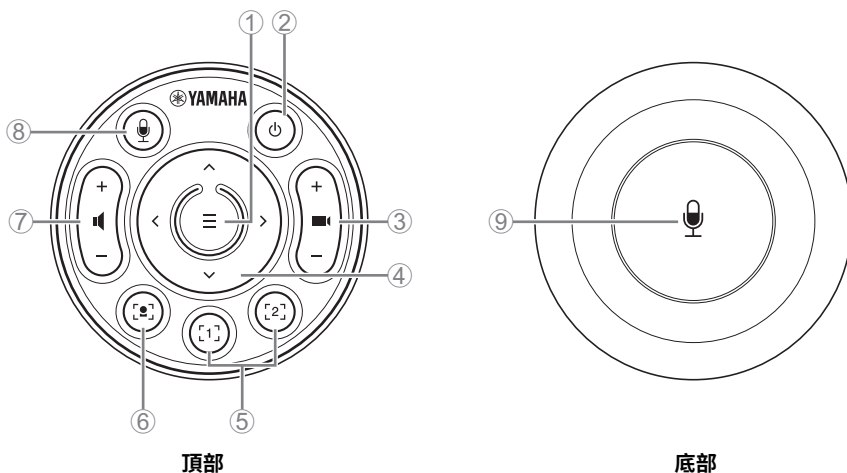
這可顯示電腦畫面及設定裝置。使用隨附的 USB 纜線 (Type C-A) 進行此連接。如需裝置設定的詳細資訊，請參閱 CS-800 使用指南。

④ [HDMI] 連接埠

此連接埠用於將裝置連接至電視。

這可讓電視顯示已連接至 [USB] 連接埠的電腦畫面，以及裝置的螢幕顯示選單。

遙控器



① 選單按鈕

可在電視上顯示選單，或配對裝置與遙控器（第 172 頁）。

② 電源按鈕

用於將 CS-800 設為開啟 / 待機狀態。

③ 攝影機縮放按鈕

④ 平移 / 傾斜按鈕

⑤ 攝影機預設 1 和 2 按鈕

⑥ 智慧取景按鈕

⑦ 喇叭音量按鈕

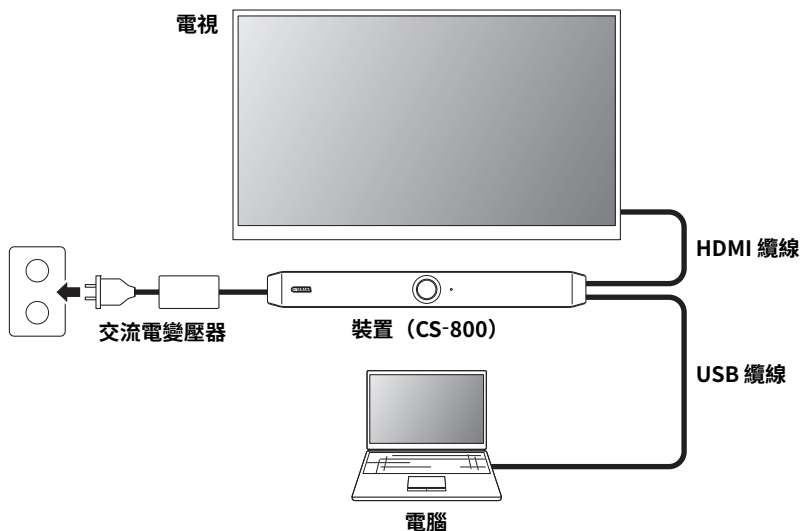
⑧ ⑨ 麥克風靜音按鈕

連接與設置

設置範例

■ 自帶電腦時

對於會將電腦帶到視訊會議舉行地點的環境，請使用此設置。

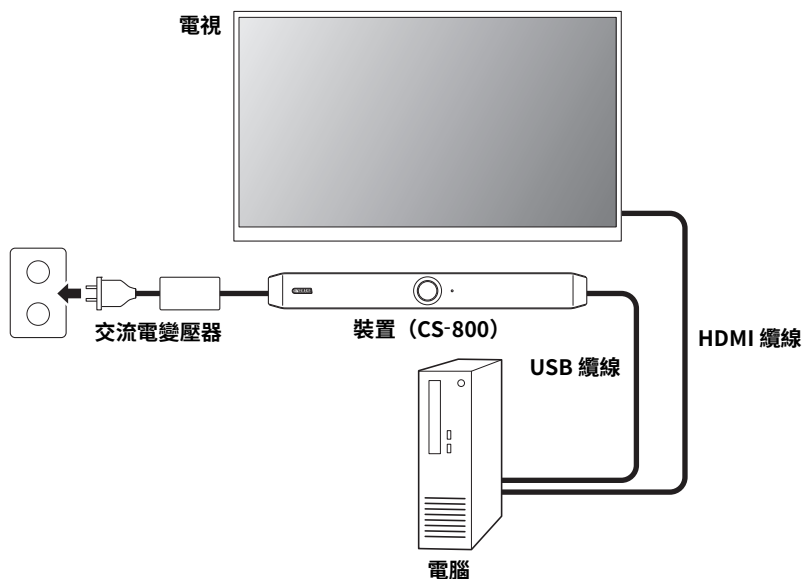


將隨附 HDMI 纜線的一端連接到裝置上的 [HDMI] 連接埠，然後將另一端連接到電視。

將隨附 USB 纜線的一端連接到裝置上的 [USB] 連接埠，然後將另一端連接到電腦。

■ 使用會議室電腦時

對於視訊會議專用的電腦或平板電腦已裝設在視訊會議舉行地點的環境，請使用此設置。

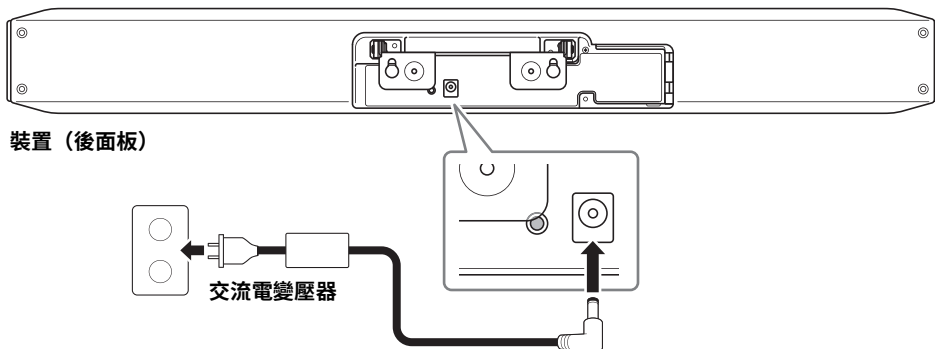


將隨附 HDMI 纜線的一端連接到電腦，然後將另一端連接到電視。

將隨附 USB 纜線的一端連接到裝置上的 [USB] 連接埠，然後將另一端連接到電腦。

電源

將交流電變壓器的一端連接到裝置上的 [DC-IN] 插孔，然後將另一端連接到電源插座。

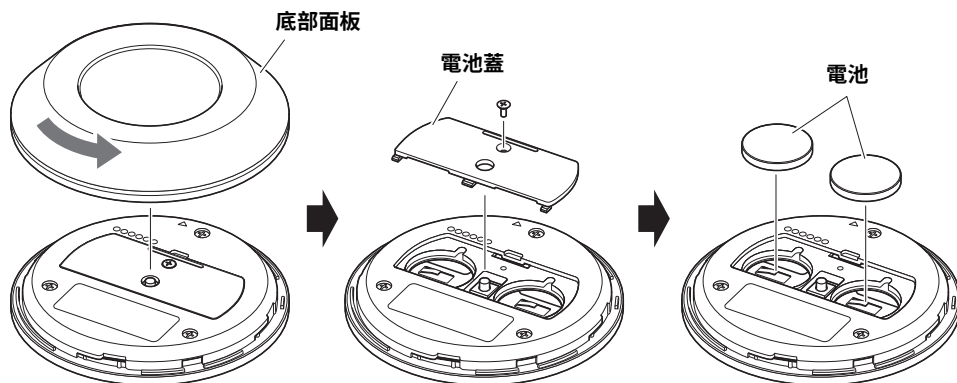


連接交流電變壓器會開啟裝置。

註

連接電源後，可使用遙控器上的電源按鈕開啟裝置或將其設為待機狀態。

插入 / 更換遙控器電池

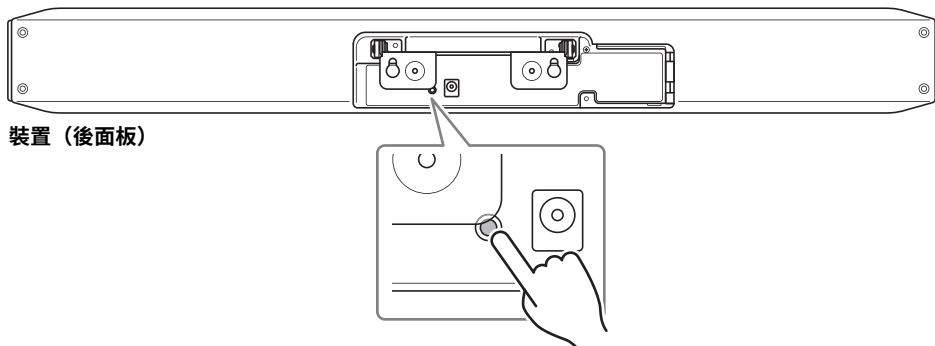


拆下底部面板和電池蓋，然後插入兩顆電池（CR2032）。

配對裝置與遙控器

若要使用遙控器操作裝置，請依照下列程序進行配對。

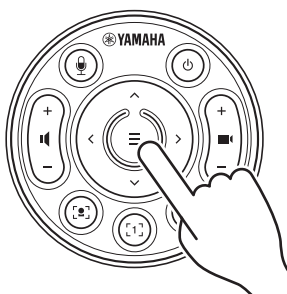
1. 長按 [FUNCTION] 按鈕 (裝置的後面板) 至少 2 秒。



裝置 (後面板)

裝置前面板上的狀態指示燈會閃爍藍色。

2. 長按遙控器上的選單按鈕至少 2 秒。



裝置前面板上的狀態指示燈亮藍燈 3 秒後，即完成配對。

指定使用自己的電腦／智慧型裝置的必要設定

必須啟用 HDMI 功能／ DisplayLink 功能／ Bluetooth，才能使用自己的電腦／智慧型裝置。

長按遙控器上的選單按鈕和攝影機預設 2 按鈕至少 3 秒。



裝置前面板上的狀態指示燈以 0.5 秒為間隔閃爍橘燈五次後，即完成設定。

安裝 DisplayLink® 驅動程式

使用自己的電腦時 (第 169 頁)，可能要安裝 DisplayLink 驅動程式，視連接的電腦而定。
請從 displaylink.com/downloads 下載最新的驅動程式。

在電腦上選擇裝置

在電腦上，選擇「Yamaha CS-800」作為預設的音訊播放 / 錄製裝置。此外，在您的整合式通訊應用程式中，選擇 CS-800 作為視訊 / 音訊裝置。

從電視螢幕（螢幕顯示選單）設定裝置

螢幕顯示選單是在電視螢幕上顯示裝置設定選單的功能。可使用遙控器操作。

註

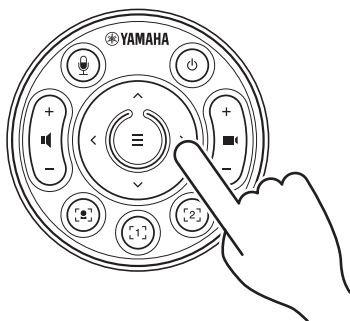
- 對於使用 HDMI 纜線連接電視與 CS-800 的設置環境，可使用此功能。對於使用 HDMI 纜線連接電視與電腦的設置環境，無法使用此功能。
- 若要使用此功能，請先執行「指定使用自己的電腦／智慧型裝置的必要設定」（第 173 頁）中的程序。

使用設定選單

1. 按下遙控器上的選單按鈕。

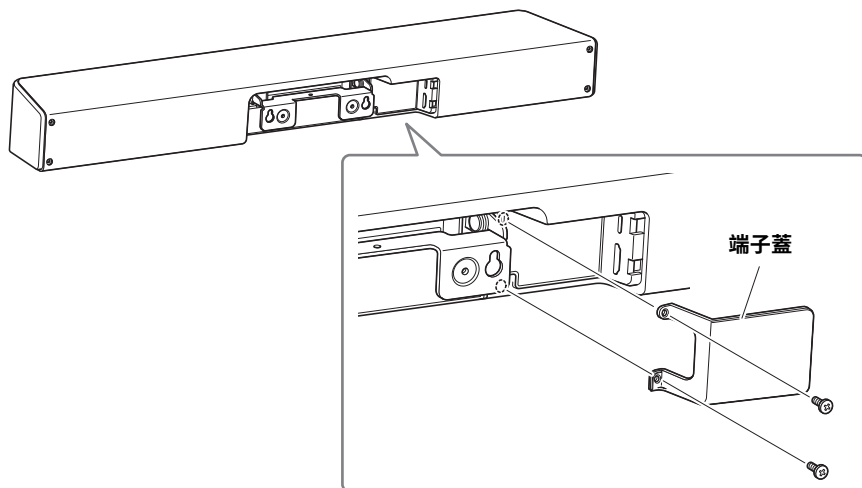
設定選單會顯示在電視上。

2. 使用遙控器上的平移 / 傾斜按鈕進行瀏覽。



安裝端子蓋

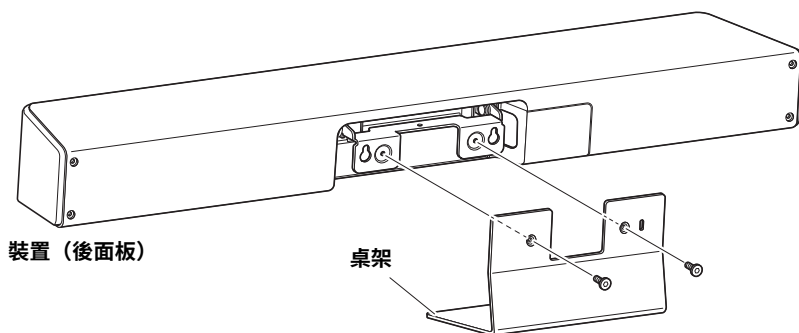
使用隨附的螺絲將端子蓋裝到裝置。



安裝桌架

將隨附的桌架安裝到裝置。

1. 使用隨附的螺絲將桌架裝到裝置。



安裝壁掛架



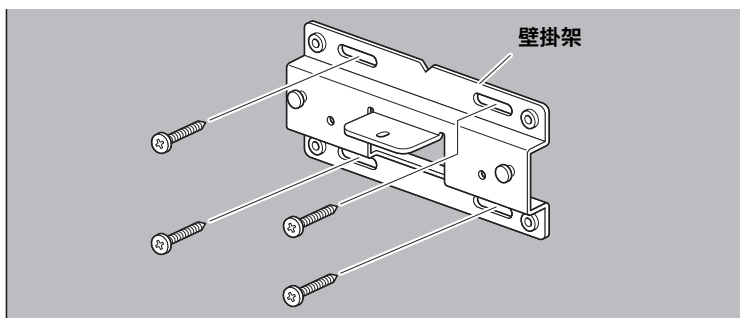
警告

- 務必由您購買產品的經銷商或專業技術人員安裝固定架。
- 完成安裝後，務必確定 CS-800 有牢牢固定。此外，請定期檢查以確保裝置不會掉落或傾倒。對於錯誤安裝所造成的任何意外，本公司恕不承擔任何責任。
- 完成安裝後，請勿讓身體倚靠在 CS-800 或從上方對其用力施力。如果裝置掉落，可能會導致受傷或損壞。

牆壁安裝

本裝置可使用隨附的壁掛架安裝到牆壁上。

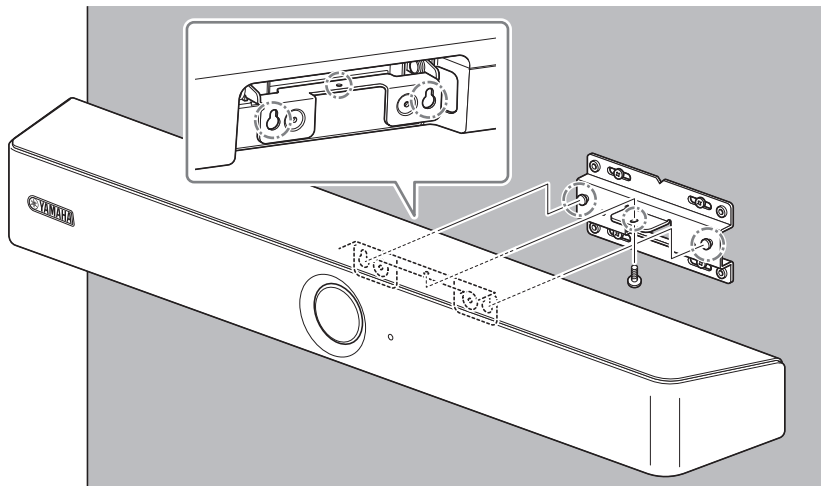
1. 將壁掛架安裝到牆壁。



重要

- 本產品未隨附將壁掛架安裝至牆壁的螺絲。請備妥具有足夠強度的螺絲。
- 如需螺絲及安裝的詳細資訊，務必聯絡您購買產品的經銷商或專業技術人員。

2. 將裝置懸掛於在步驟 1 安裝的支架上。

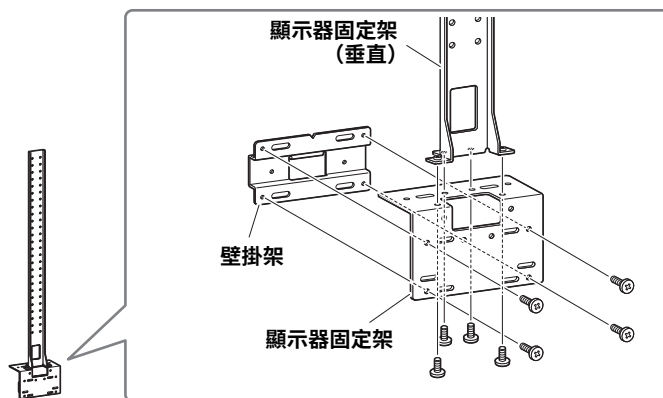


3. 從壁掛架的下側，使用隨附的螺絲固定裝置。

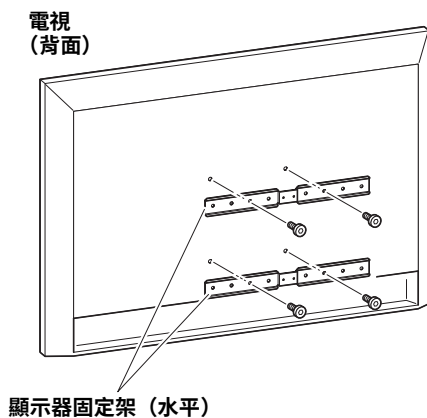
安裝顯示器固定架 (VESA)

使用 BRK-TV1 顯示器固定架（另售），將裝置安裝至電視。以下為使用電視和電視架中的螺絲孔的安裝範例。

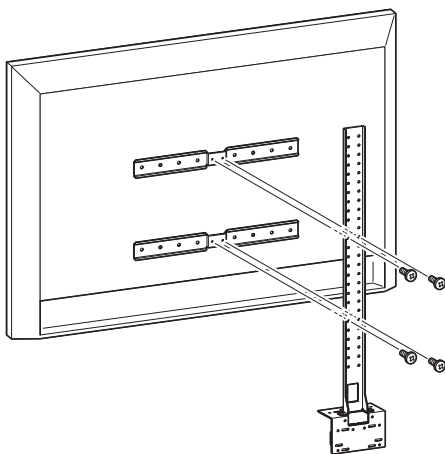
1. 使用隨附的螺絲，安裝顯示器安裝架（垂直）、顯示器安裝架（用於固定到壁掛架）及壁掛架。



2. 使用隨附的螺絲，將兩個顯示器固定架（水平）安裝至電視。



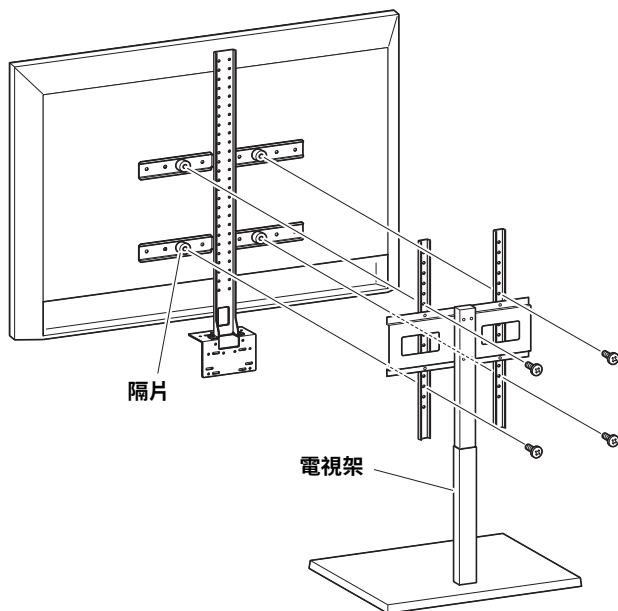
3. 將在步驟 1 組裝的支架安裝到在步驟 2 安裝的支架。



重要

請選擇適合安裝電視的位置。

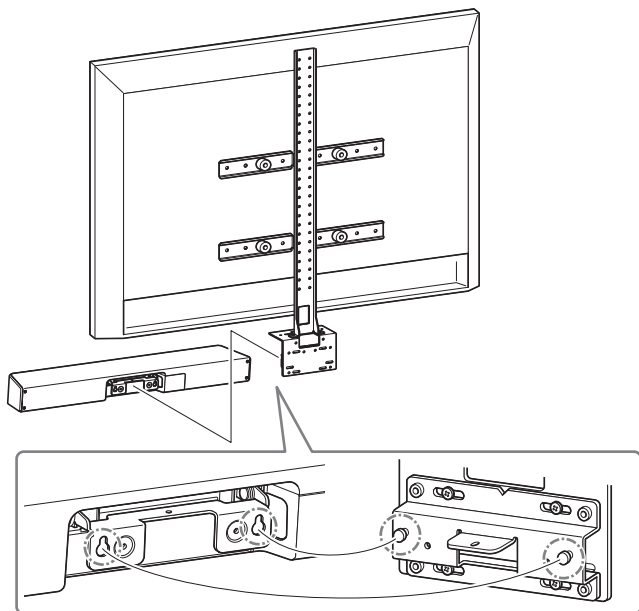
4. 安裝至電視架。



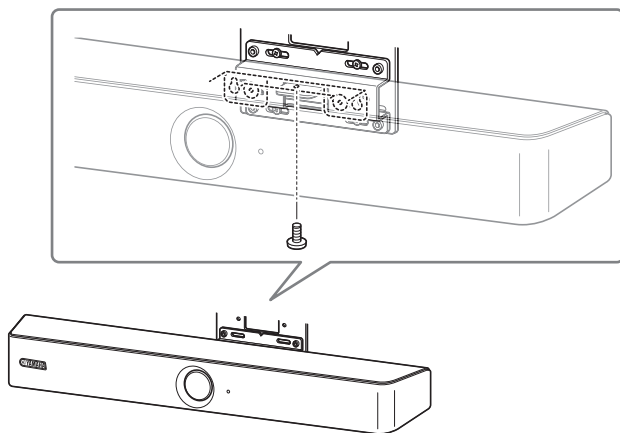
重要

根據電視架的配置，請同時鎖緊 BRK-TV1 顯示器固定架（另售）隨附的隔片。

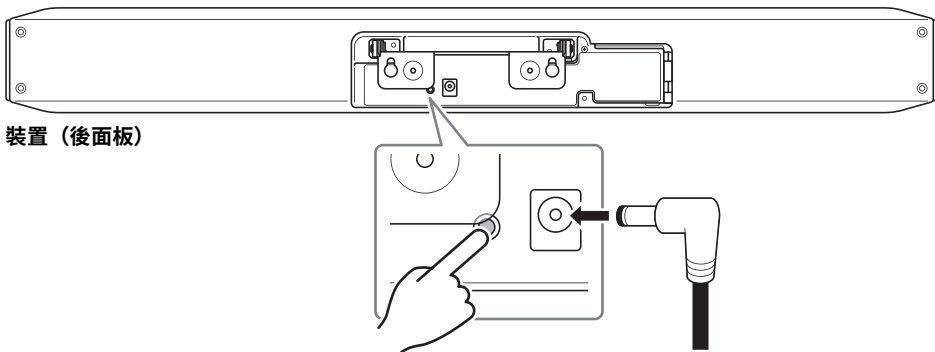
5. 將裝置懸掛於在步驟 1 安裝的壁掛架上。



6. 從裝置的下側，使用隨附的螺絲加以固定。



恢復為出廠預設設定（出廠重設）



若要將裝置恢復為出廠預設設定，請在連接電源線的同時按住 [FUNCTION] 按鈕以啟動裝置。連接電源線後，持續按住 [FUNCTION] 按鈕至少 5 秒。當裝置前面板上的狀態指示燈從閃爍橘色變為白色恆亮時，表示裝置已恢復為出廠預設設定。

主要規格

尺寸	620 mm (寬) × 90 mm (深) × 70 mm (高)	
重量	1.7 kg	
電源	20 V 直流電 /2.1 A, CW2002100 (100 V - 240 V, 50 Hz/60 Hz)	
最大功耗	42 W	
溫度	操作中	0 °C - 40 °C
	存放	-20 °C - 60 °C
溼度	操作中	20% - 85% (非凝結)
	存放	20% - 85% (非凝結)
隨附物品	CS-800 (本裝置)、請先閱讀、安全須知、快速指南 (本手冊)、USB 2.0 纜線 (Type C-A)、HDMI 纜線、鏡頭蓋、端子蓋、遙控器、鈕扣型電池 (CR2032) × 2、交流電變壓器附電源線 (CW2002100)、桌架、壁掛架、固定螺絲、六角扳手	
另售物品	顯示器安裝托架 (VESA 安裝配件) BRK-TV1、光纖 USB 纜線 CBL-L10AC 和 CBL-L25AC	

목차



소개	183
본 설명서에 관해서	183
부속품	184
별매 항목	184
다운로드 가능한 설명서	185
사용 가능한 유틸리티 소프트웨어	185
펌웨어 업데이트	185
컨트롤 및 커넥터	186
전면 패널	186
후면 패널	187
리모컨	188
연결 및 설정	189
샘플 설정	189
전원 공급 장치	191
리모컨 배터리 삽입 / 교체	191
기기와 리모컨 페어링하기	192
자신의 컴퓨터 / 스마트 기기를 사용하기 위해 필요한 설정 지정하기	193
DisplayLink® 드라이버 설치	193
컴퓨터에서 장치 선택	193
TV 화면으로부터 기기 구성하기 (온스크린 표시 메뉴)	194
설정 메뉴 사용	194
단자 커버 설치	195
테이블 스탠드 설치	195
벽면 장착 브래킷 설치	196
벽면에 설치하기	196
모니터 장착 브래킷 (VESA) 설치	197
공장 초기 설정으로 돌아가기 (공장 초기화)	201
주요 사양	201

소개

Yamaha CS-800을 구입해 주셔서 감사합니다. 이 제품은 허들 공간 및 회의실에서 원격 회의를 열기 위한 화상 회의 시스템입니다. 통합 커뮤니케이션 시스템과 함께 오디오 / 비디오 장치로 사용할 수 있습니다. 편안한 원격 협업을 위해 이 기기는 고품질 카메라, 마이크 및 스피커를 갖추고 있습니다.

본 설명서에 관해서

- 본 사용설명서는 중요한 정보에 대해 다음과 같은 표시 단어를 사용합니다:

 경고	이 사항은 “중상 또는 사망의 위험”을 의미합니다.
 주의	이 사항은 “부상의 위험”을 의미합니다.
주의사항	제품 고장, 손상, 오작동 방지 및 데이터 손실을 피하기 위해 준수해야 하는 사항을 나타냅니다.
중요	제품을 올바르게 조작하고 사용하기 위해 알아야 하는 사항을 나타냅니다.
주	조작과 사용에 관련된 정보를 나타냅니다. 참고용으로 읽어 주십시오.

- 본 사용설명서에 수록된 그림은 설명 용도로만 사용됩니다.
- 본 사용설명서에 기재된 회사명과 제품명은 각 회사의 상표 또는 등록 상표입니다.
- Yamaha는 본 제품에 포함된 소프트웨어를 지속적으로 개선하고 업데이트합니다. Yamaha 웹사이트에서 최신 소프트웨어를 다운로드할 수 있습니다.
- 본 설명서의 내용은 발행일 현재 최신 사양을 기준으로 하고 있습니다. 최신 설명서를 얻으려면 Yamaha 웹사이트에 액세스한 후 설명서 파일을 다운로드해 주십시오.

부속품

- CS-800 (기기)
- 먼저 읽어주세요
- 안전 가이드
- 빠른 가이드 (본 설명서)
- USB 2.0 케이블 (C-A 타입 , 5 m)
- HDMI 케이블 (2 m)
- 리모컨
- 렌즈 캡
- 단자 커버
- 코인 배터리 (CR2032) × 2
- AC 어댑터와 전원 코드 (CW2002100)
- 테이블 스탠드
- 벽면 장착 브라킷
- 나사
 - 단자 커버 나사 (2.5 mm × 8 mm) × 2
 - 테이블 스탠드용 육각 나사 (M3 × 6 mm) × 2
 - 벽면 장착 브라킷용 육각 나사 (M3 × 8 mm) × 1
- 육각 렌치

별매 항목

- 모니터 장착 브라킷 (장착 액세서리) BRK-TV1
이 브라킷은 TV 의 VESA 마운트에 기기를 설치하는 데 필요합니다 .
- USB 케이블 : CBL-L10AC (10 미터) , CBL-L25AC (25 미터)
이것은 광섬유 USB 케이블입니다 . 장치와 컴퓨터가 분리되어 있을 때 사용됩니다 . 이것은 USB 3.2 Gen2 (Super Speed Plus) 를 지원하며 , 최대 10 Gbps 의 고속으로 통신할 수 있습니다 .

주

VESA 표준은 TV 등의 영상기기를 벽걸이 , TV 스탠드에 부착할 때 사용하는 나사 구멍 사이의 간격을 규정한 국제규격입니다 .

다운로드 가능한 설명서

이 제품의 설명서는 다음 웹사이트에서 PDF 형식으로 다운로드할 수 있습니다 .

미국 및 캐나다

<https://uc.yamaha.com/support/>

기타 국가

<https://download.yamaha.com/>

- 먼저 읽어주세요 (포함)
제품 구매 후 가장 먼저 해야 할 일에 대해 설명합니다 .
- CS-800 안전 가이드 (포함)
본 제품을 안전하게 사용하기 위한 안전 주의사항이 포함되어 있습니다 .
- CS-800 빠른 가이드 (본 메뉴얼 , 포함)
부품 이름 , 설치 절차 , 설정 조작 등 제품 사용에 대한 기본 정보와 기타 관련 정보를 얻을 수 있는 위치에 대한 세부 정보를 제공합니다 .
- CS-800 사용자 가이드
제품 사용에 대한 자세한 정보를 제공합니다 . 또한 컴퓨터에서 Yamaha CS Manager 를 사용하여 장치를 구성하고 작동하는 방법에 대해서도 설명합니다 .

사용 가능한 유틸리티 소프트웨어

이 제품에 사용할 수 있는 옵션 유틸리티 소프트웨어가 있습니다 . 이 소프트웨어에 대한 자세한 내용은 CS-800 사용자 가이드를 참조하십시오 .

- Yamaha CS Manager
이 소프트웨어는 컴퓨터에서 장치를 구성하고 작동할 수 있게 해줍니다 .

펌웨어 업데이트

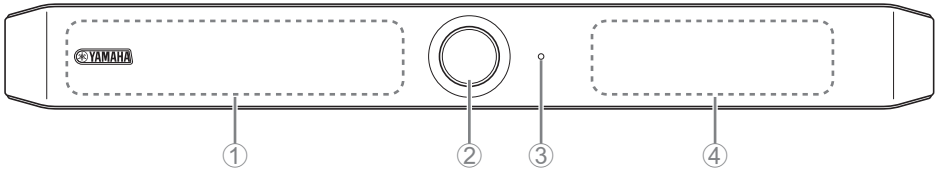
본 제품은 운용성 향상 , 기능 추가 및 문제 해결을 위해 장치의 펌웨어를 업데이트 할 수 있도록 설계되었습니다 .

펌웨어 업데이트에 대한 정보는 Yamaha 웹사이트에서 확인할 수 있습니다 .

업데이트 절차 및 장치 설정에 대한 자세한 내용은 CS-800 사용자 가이드를 참조하십시오 .

컨트롤 및 커넥터

전면 패널



① 마이크

② 카메라

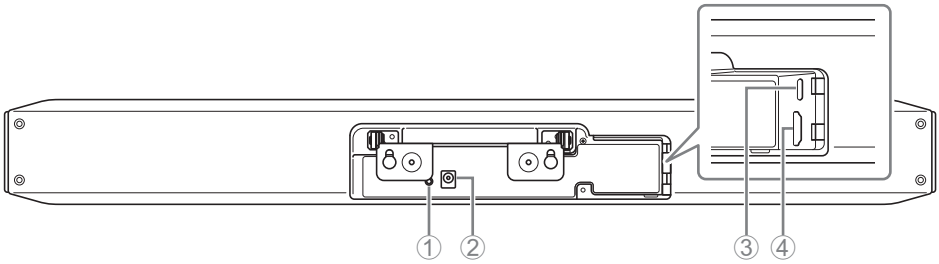
③ 상태 표시등

기기의 상태를 나타냅니다.

표시등 상태		기기 상태
흰색 (점등)		대기
밝은 청색 (점등)		카메라 작동
녹색 (점등)		통화 중
빨간색 (점등)		마이크 음소거
흰색 (깜빡임)	0.361 회 / 초	시작
꺼짐		꺼짐 ; 절전 대기
흰색 (깜빡임)	0.3 회 / 초	모니터링 꺼짐
주황색 (깜빡임)	1 회 / 초	출고 시 설정 복원 ; HDMI 기능 활성화 / DisplayLink 기능 / Bluetooth
파란색 (깜빡임)	1 회 / 초	리모컨 또는 스마트 기기와 페어링
파란색 (점등)	3 초	리모컨 페어링의 완료 공지
녹색 (깜빡임)	2 회 / 초	전화 받기
빨간색 (깜빡임)	2.5 회 / 초	하드웨어 오류

④ 스피커

후면 패널



① [FUNCTION] 버튼

기기를 리모컨(192 페이지)과 페어링하거나 공장 초기 설정으로 되돌리는 데 사용할 수 있습니다 (201 페이지).

② [DC-IN] 잭

여기에 AC 어댑터를 연결합니다. AC 어댑터를 후면 패널의 [DC-IN] 잭에 연결한 후 전원 플러그를 콘센트에 꽂아 주십시오.

AC 어댑터를 연결하면 기기가 켜집니다.

③ [USB] 포트 (타입 C)

이 포트는 기기를 컴퓨터에 연결하기 위한 것입니다.

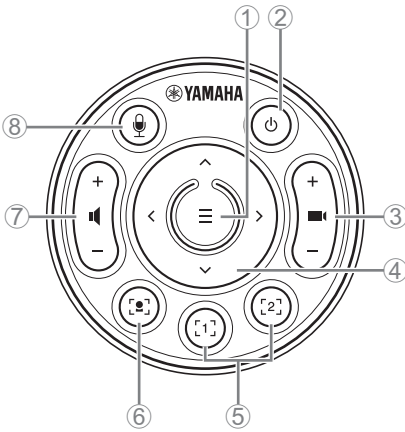
이를 통해 컴퓨터 화면을 표시하고 장치를 설정할 수 있습니다. 이 연결에는 포함된 USB 케이블 (C-A 타입)을 사용하십시오. 이 장치 설정에 대한 자세한 내용은 CS-800 사용자 가이드를 참조하십시오.

④ [HDMI] 포트

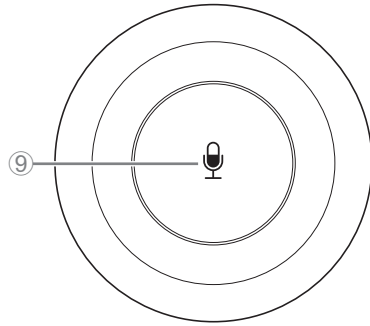
이 포트는 장치를 TV에 연결하기 위한 것입니다.

이렇게 하면 [USB] 포트에 연결된 컴퓨터의 화면과 기기의 온스크린 디스플레이를 TV에 표시할 수 있습니다.

리모컨



상단



바닥

① 메뉴 버튼

TV 에 메뉴를 표시하거나 장치를 리모컨 (192 페이지) 과 페어링하는데 사용할 수 있습니다 .

② 전원 버튼

CS-800 의 전원을 켜거나 대기시킬 때 사용합니다 .

③ 카메라 줌 버튼

④ 팬 / 틸트 버튼

⑤ 카메라 사전 설정 1 및 2 버튼

⑥ 스마트 프레이밍 버튼

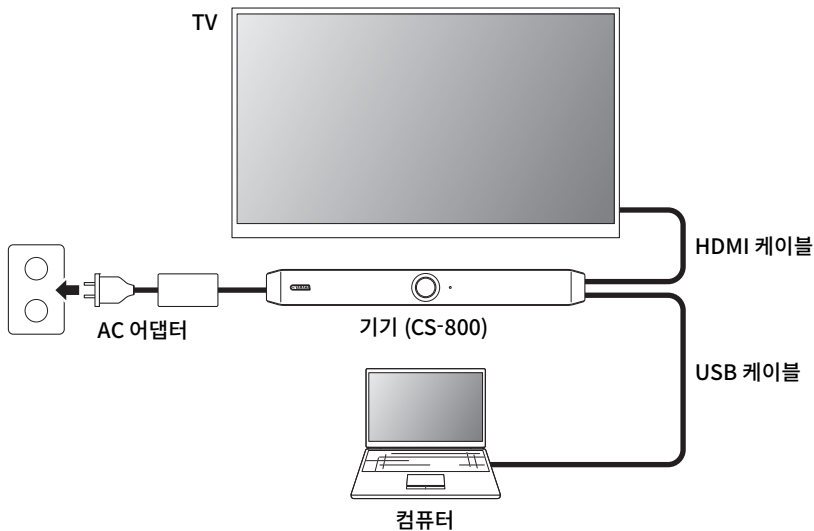
⑦ 스피커 볼륨 버튼

⑧ ⑨ 마이크 음소거 버튼

샘플 설정

■ 자신의 PC 를 지참하는 경우

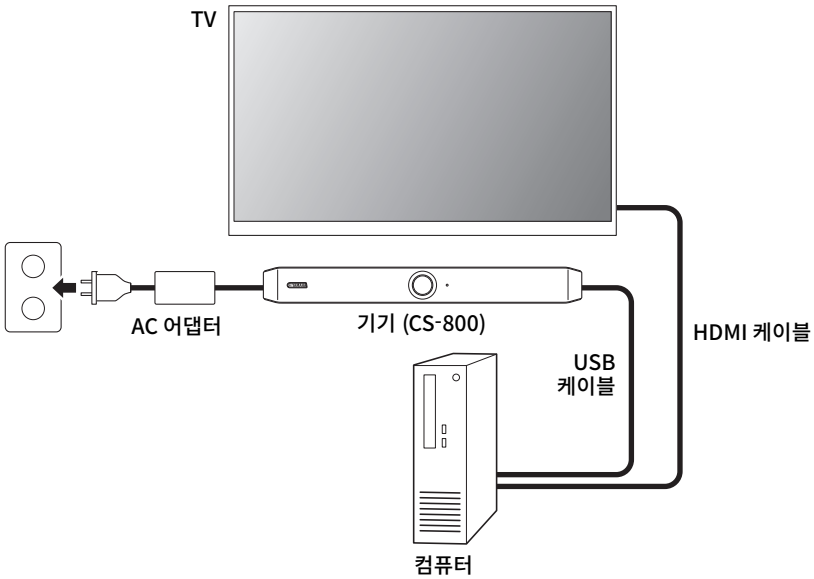
화상 회의가 열리는 장소로 컴퓨터를 가져가야 하는 환경에서 이 설정을 사용하십시오 .



포함된 HDMI 케이블의 한쪽 끝을 기기의 [HDMI] 포트에 연결하고 다른 쪽 끝을 TV에 연결하십시오 .
포함된 USB 케이블의 한쪽 끝을 기기의 [USB] 포트에 연결하고 다른 쪽 끝을 컴퓨터에 연결하십시오 .

■ 회의실 PC 를 사용하는 경우

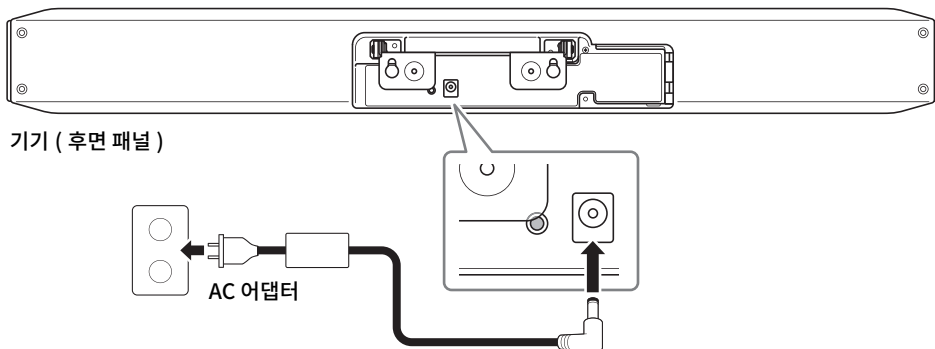
화상회의가 열리는 장소에 화상회의 전용 컴퓨터나 태블릿이 설치된 환경에서 이 설정을 사용하십시오 .



포함된 HDMI 케이블의 한쪽 끝을 컴퓨터에 연결하고 다른 쪽 끝을 TV 에 연결합니다 .
포함된 USB 케이블의 한쪽 끝을 기기의 [USB] 포트에 연결하고 다른 쪽 끝을 컴퓨터에 연결하십시오 .

전원 공급 장치

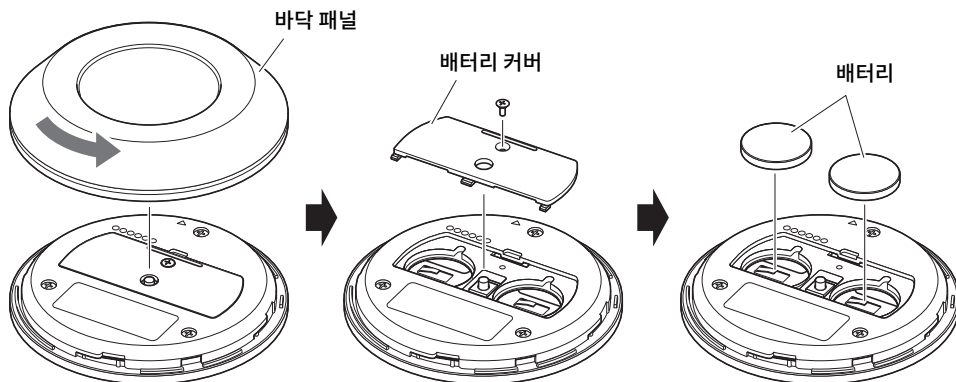
AC 어댑터의 한쪽 끝을 기기의 [DC-IN] 잭에 연결하고 다른 쪽 끝을 전기 콘센트에 연결하십시오.



AC 어댑터를 연결하면 기기가 켜집니다.

주
전원 공급 장치가 연결된 후 리모컨의 전원 버튼으로 장치를 켜거나 대기 모드로 설정할 수 있습니다.

리모컨 배터리 삽입 / 교체

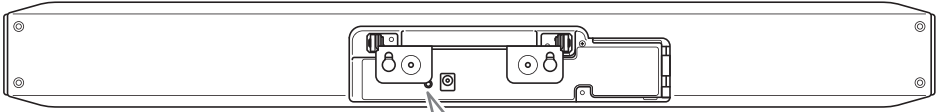


하단 패널과 배터리 커버를 제거한 후 배터리 (CR2032) 2 개를 삽입합니다.

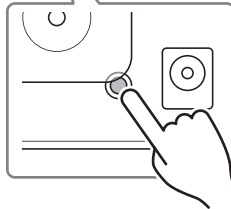
기기와 리모컨 페어링하기

리모컨으로 기기를 조작하려면 아래 절차에 따라 페어링하십시오 .

1. [FUNCTION] 버튼 (기기 후면 패널에 있음) 을 2 초 이상 길게 누릅니다 .

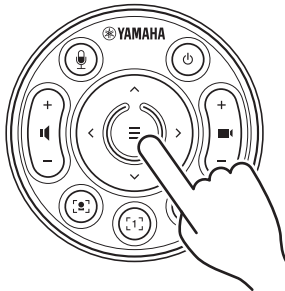


기기 (후면 패널)



기기 전면 패널의 상태 표시등이 파란색으로 깜박입니다 .

2. 리모컨의 메뉴 버튼을 2 초 이상 길게 누릅니다 .

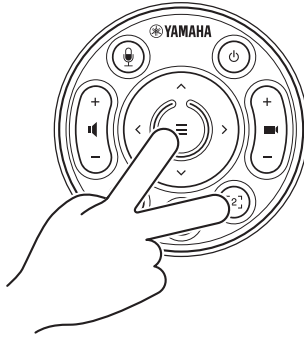


기기 전면 패널의 상태 표시등이 청색으로 3 초간 점등한 후 페어링이 완료됩니다 .

자신의 컴퓨터 / 스마트 기기를 사용하기 위해 필요한 설정 지정하기

자신의 컴퓨터 / 스마트 기기를 사용하기 위해서는 HDMI 기능 /DisplayLink 기능 /Bluetooth 의 활성화가 필요합니다 .

리모컨의 메뉴 버튼과 2 번 카메라 프리셋 버튼을 3 초 이상 길게 누릅니다 .



기기 전면 패널의 상태 표시등이 0.5 초 간격으로 주황색으로 5 회 점멸한 후에 구성이 종료됩니다 .

DisplayLink® 드라이버 설치

여러분 자신의 컴퓨터를 사용하는 경우 (189 페이지) 연결된 컴퓨터에 따라 DisplayLink 드라이버 설치가 필요할 수 있습니다 .

displaylink.com/downloads 에서 최신 드라이버를 다운로드합니다 .

컴퓨터에서 장치 선택

컴퓨터에서 “Yamaha CS-800” 를 기본 오디오 재생 / 녹음 장치로 선택하십시오 . 또한 , 통합 커뮤니케이션 애플리케이션에서 CS-800 을 비디오 / 오디오 장치로 선택하십시오 .

TV 화면으로부터 기기 구성하기 (온스크린 표시 메뉴)

온스크린 표시 메뉴는 기기의 설정 메뉴를 TV 화면에 표시하는 기능입니다 . 이것은 리모컨으로 조작할 수 있습니다 .

주

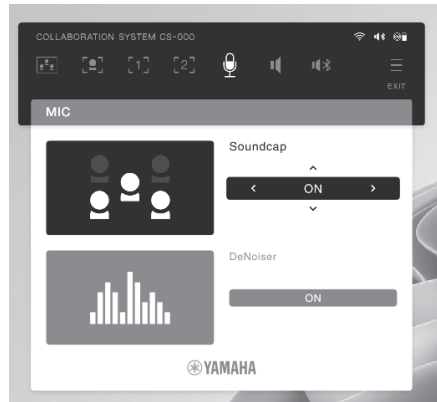
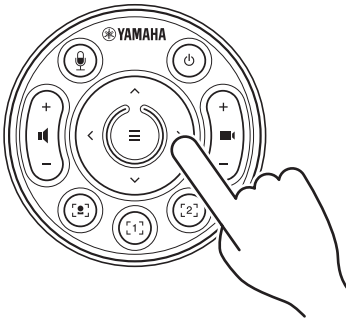
- 이 기능은 HDMI 케이블을 사용하여 TV와CS-800 을 연결한 설정에서 사용할 수 있습니다 . HDMI 케이블로 TV 와 컴퓨터를 연결한 설정에서는 사용할 수 없습니다 .
- 이 기능을 사용하려면 먼저 다음 절차를 따르십시오 .
“ 자신의 컴퓨터 / 스마트 기기를 사용하기 위해 필요한 설정 지정하기 ” (193 페이지) .

설정 메뉴 사용

1. 리모컨의 메뉴 버튼을 누르십시오 .

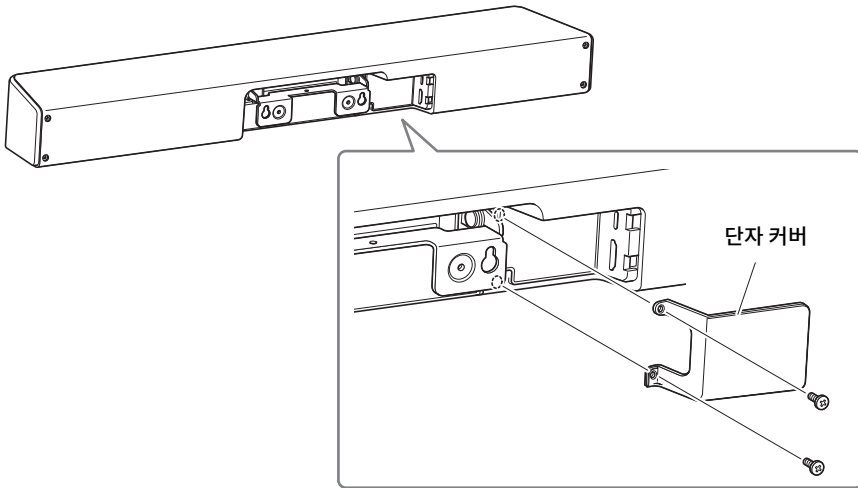
설정 메뉴가 TV 에 나타납니다 .

2. 리모컨의 팬 / 틸트 버튼으로 탐색합니다 .



단자 커버 설치

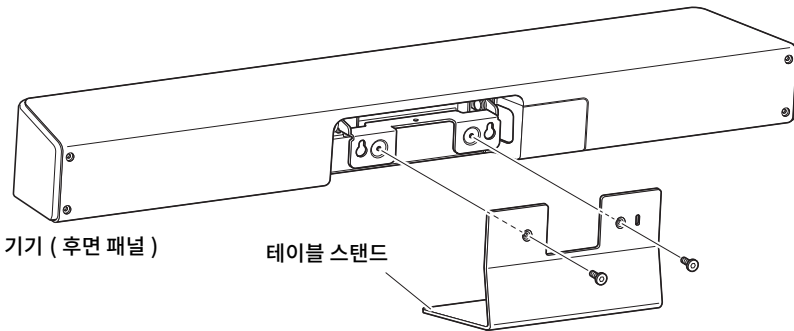
포함된 나사를 사용하여 장치에 단자 커버를 장착하십시오.



테이블 스탠드 설치

포함된 테이블 스탠드를 기기에 부착합니다.

1. 포함된 나사를 사용하여 테이블 스탠드를 장치에 부착합니다.



벽면 장착 브래킷 설치



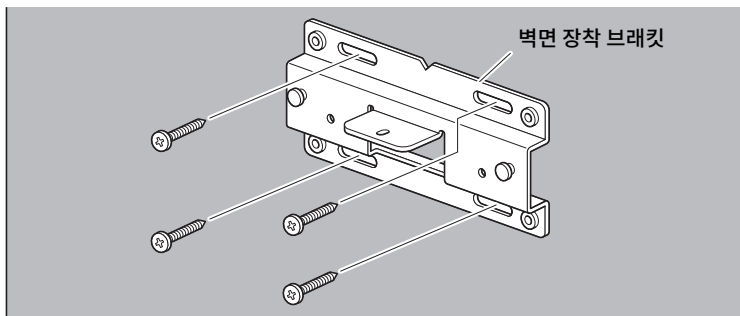
경고

- 반드시 제품을 구입한 판매점이나 전문 계약업체에서 장착 브래킷을 설치하도록 하십시오 .
- 설치 후 CS-800 이 단단히 고정되었는지 확인하십시오 . 또한 기기가 넘어지거나 넘어질 가능성이 없는지 정기적으로 확인하십시오 . 잘못된 설치로 인한 사고는 당사에서 책임지지 않습니다 .
- 설치 후 CS-800 에 기대거나 위에서 강한 힘을 가하지 마십시오 . 기기가 떨어지면 부상을 입거나 제품이 손상될 수 있습니다 .

벽면에 설치하기

이 장치는 포함된 벽면 장착 브래킷을 사용하여 벽면에 장착할 수 있습니다 .

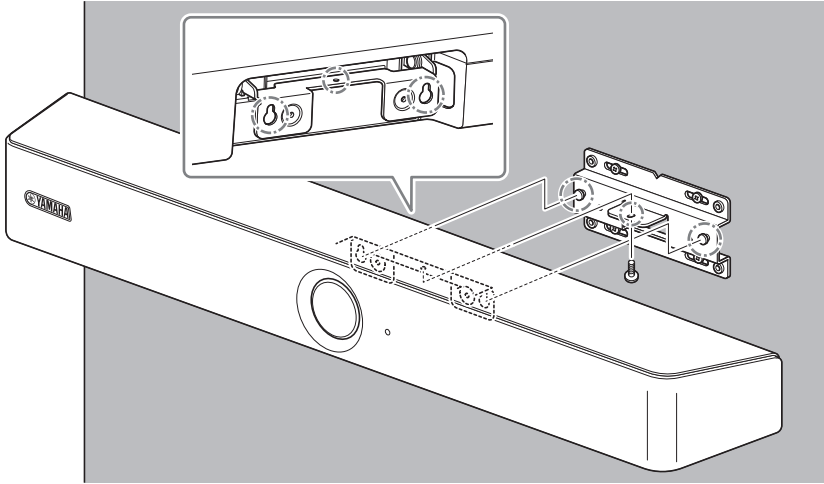
1. 벽면 장착 브래킷을 벽에 장착합니다 .



중요

- 벽면 장착 브래킷을 벽면에 고정하기 위한 나사는 포함되어 있지 않습니다 . 충분히 강한 나사를 준비하십시오 .
- 나사 및 설치에 관한 자세한 사항은 반드시 제품을 구입한 대리점이나 전문업체에 문의하십시오 .

2. 1 단계에서 설치한 브래킷에 장치를 걸어 놓습니다 .

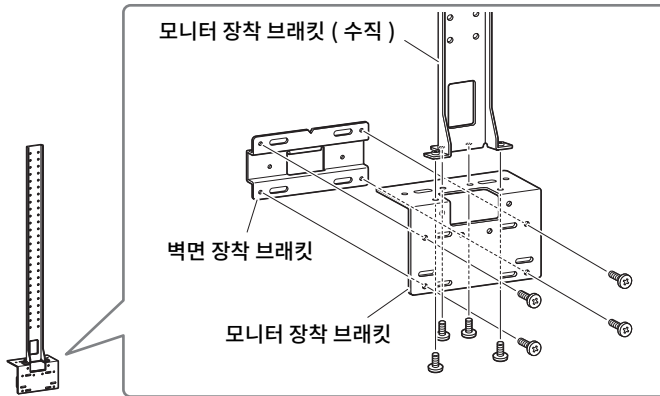


3. 벽걸이 브래킷의 밑면에서 포함된 나사를 사용하여 기기를 고정합니다 .

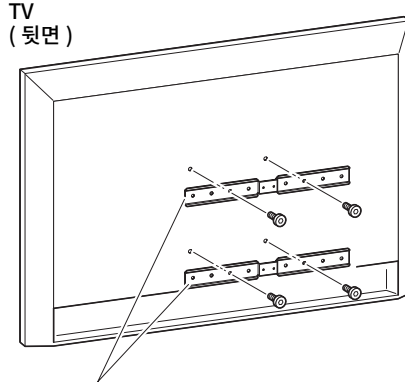
모니터 장착 브래킷 (VESA) 설치

모니터 장착 브래킷 BRK-TV1(별매)을 사용하여 장치를 TV에 부착합니다. 다음은 TV와 TV 스탠드의 나사 구멍을 사용하여 설치한 예입니다 .

1. 모니터 장착 브래킷 (수직), 모니터 장착 브래킷 (벽걸이 브래킷에 장착용) 및 벽걸이 브래킷에 포함된 나사를 사용하여 부착합니다 .

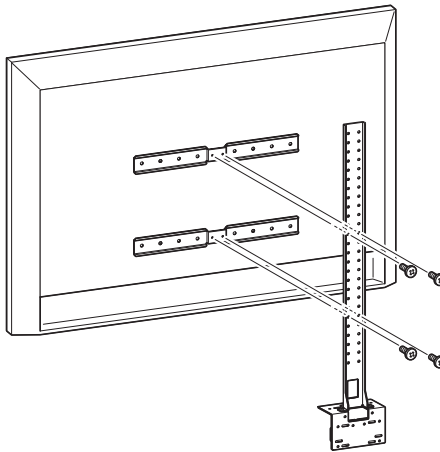


2. 포함된 나사를 사용하여 2 개의 모니터 장착 브래킷 (가로) 을 TV 에 부착하십시오 .



모니터 장착 브래킷 (수평)

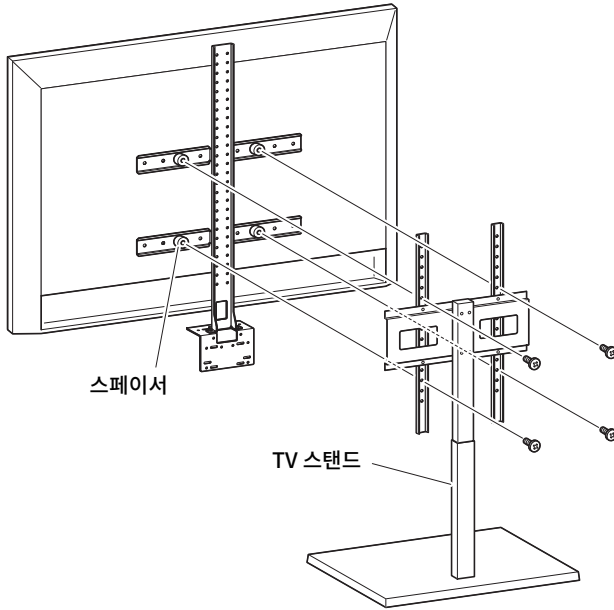
3. 1 단계에서 조립한 브래킷을 2 단계에서 설치한 브래킷에 부착합니다 .



중요

TV 에 적합한 장착 위치를 선택하십시오 .

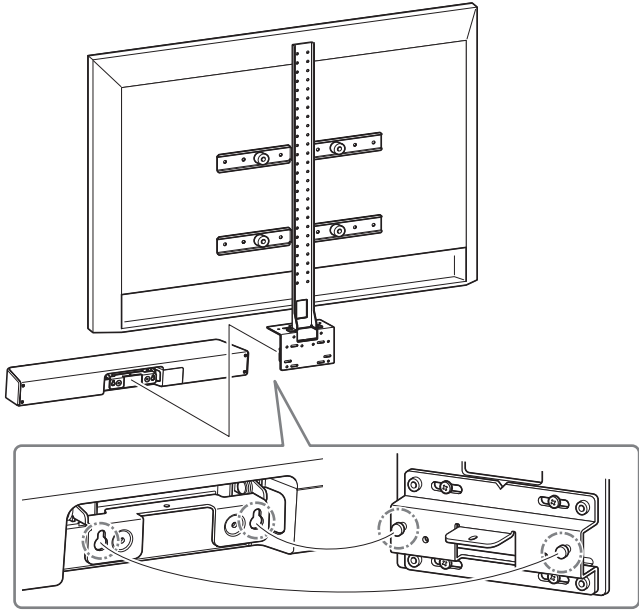
4. TV 스탠드에 부착합니다.



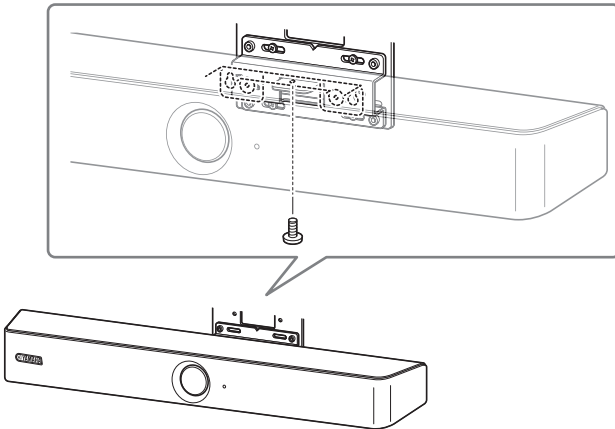
중요

TV 스탠드의 형태에 따라 모니터 장착 브래킷 BRK-TV1(별매) 에 포함된 스페이서도 단단히 고정하십시오 .

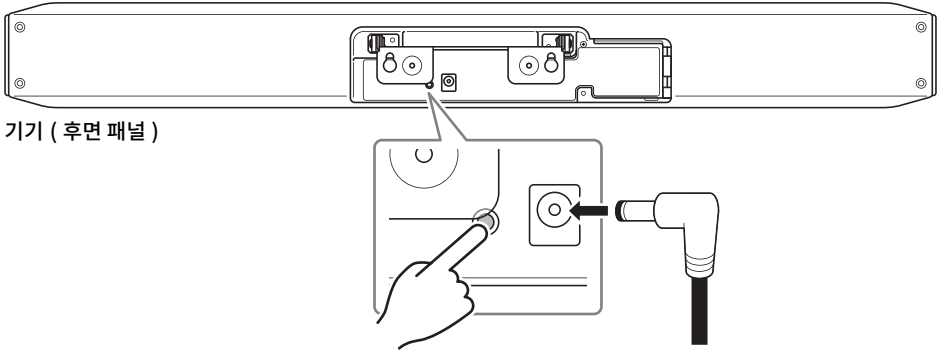
5. 1 단계에서 설치한 벽걸이 브래킷에 기기를 걸어 주십시오 .



6. 장치 밑면에서 포함된 나사를 사용하여 고정합니다 .




공장 초기 설정으로 돌아가기 (공장 초기화)



기기 (후면 패널)

기기를 공장 초기 설정으로 되돌리려면 [FUNCTION] 버튼을 누른 상태에서 전원 케이블을 연결하여 기기를 시작하십시오. 전원 케이블을 연결한 후 [FUNCTION] 버튼을 5 초 이상 길게 누릅니다. 기기 전면 패널의 상태 표시등이 깜박이는 오렌지색에서 흰색 점등 상태로 바뀌면 기기가 공장 초기 설정으로 돌아간 것입니다.

주요 사양

치수	620 mm (W) × 90 mm (D) × 70 mm (H)	
무게	1.7 kg	
전원 공급 장치	20 V DC/2.1 A, CW2002100 (100 V - 240 V, 50 Hz/60 Hz) 	
최대 소비 전력	42W	
온도	작동	0°C ~ 40°C
	보관	-20°C ~ 60°C
습도	작동	20% ~ 85% (비응결)
	보관	20% ~ 85% (비응결)
부속품	CS-800 (기기), 먼저 읽어주세요, 안전 가이드, 빠른 가이드 (본 설명서), USB 2.0 케이블 (C-A 타입), HDMI 케이블, 렌즈 캡, 단자 커버, 리모콘, 코인 배터리 (CR2032) × 2, AC 어댑터와 전원 코드 (CW2002100), 테이블 스탠드, 벽면걸이 브래킷, 장착 나사, 육각 렌치	
별매 항목	모니터 장착 브래킷 (VESA 장착 액세서리) BRK-TV1, 광섬유 USB 케이블 CBL-L10AC & CBL-L25AC	

目次



はじめに	203
本書の記載内容に関するお知らせ	203
同梱品	204
別売品	204
マニュアルの構成	205
ユーティリティソフトウェアの構成	205
ファームウェアのアップデート	205
各部の名称と機能	206
前面	206
背面	207
リモコン	208
接続と準備	209
接続例	209
電源	211
リモコンに電池を入れる / 交換する	211
リモコンと本体のペアリング	212
持ち込み PC / スマートデバイス使用時に必要な設定をする	213
DisplayLink® ドライバーをインストールする	213
コンピューターでデバイスを選択する	213
テレビ画面上で本体を設定する (OSD メニュー)	214
設定メニューの操作方法	214
端子カバーの取り付け	215
テーブルスタンドの取り付け	215
マウントブラケットの取り付け	216
壁への取り付け	216
スクリーンマウントブラケット (VESA) の取り付け	217
工場出荷時の状態に戻す (ファクトリーリセット)	221
主な仕様	221

はじめに

このたびは、ヤマハ CS-800 をお買い求めいただきまして、まことにありがとうございます。本製品は、ハドルスペースや会議室にて遠隔会議を行うためのビデオ会議システムです。ご使用のユニファイドコミュニケーションアプリケーションと組み合わせて、ビデオ/オーディオデバイスとして使用します。本製品は、高品位なカメラ、マイク、スピーカーを備えており、快適なリモートコラボレーションを実現します。

本書の記載内容に関するお知らせ

- ・ 本書に記載されている記号とその内容は以下のとおりです。

 警告	「死亡する可能性または重傷を負う可能性が想定される」内容です。
 注意	「傷害を負う可能性が想定される」内容です。
ご注意	製品の故障、損傷や誤動作、データの損失を防ぐため、お守りいただく内容です。
重要	製品を正しく操作、運用するために、必ず知っておいていただきたい内容です。
お知らせ	操作や運用に関連した情報です。参考にお読みください。

- ・ 本書に掲載されているイラストは、すべて説明のためのものです。
- ・ 本書に記載されている会社名および製品名等は、各社の登録商標または商標です。
- ・ 弊社では製品のソフトウェアを継続的に改善しています。最新のソフトウェアは、ヤマハウェブサイトからダウンロードできます。
- ・ 本書は、発行時点での最新仕様で説明しています。最新版は、ヤマハウェブサイトからダウンロードできます。

同梱品

- CS-800 本体
- はじめにお読みください
- セーフティーガイド
- クイックガイド（本書）
- 保証書
- USB 2.0 ケーブル（C-A タイプ、5m）
- HDMI ケーブル（2m）
- リモコン
- レンズキャップ
- 端子カバー
- コイン電池（CR2032、2 個）
- AC アダプター（CW2002100、電源コード含む）
- テーブルスタンド
- ウォールマウントブラケット
- 取り付けネジ
端子カバー用固定ネジ 2.5 mm × 8 mm、2 個
テーブルスタンド用六角固定ネジ M3 × 6 mm、2 個
ウォールマウントブラケット用本体固定ネジ M3 × 8 mm、1 個
- 六角レンチ

別売品

- スクリーンマウントブラケット（マウントアクセサリ）BRK-TV1
テレビの VESA マウントに取り付ける場合に必要です。
- USB ケーブル 「CBL-L10AC（10 メートル）」 「CBL-L25AC（25 メートル）」
光ファイバー製の USB ケーブルです。本体と PC が離れている場合に使用します。
USB 3.2 Gen2（Super Speed Plus）に対応し、最大 10 G ビット／秒で高速に通信できます。

お知らせ

VESA 規格とは、テレビなどの映像機器を、壁掛け金具やテレビスタンドに取り付ける際に使うネジ穴の間隔について定めた国際規格です。

マニュアルの構成

本製品のマニュアルは、以下のウェブサイトから PDF 形式でダウンロードできます。

<https://download.yamaha.com/>

- はじめにお読みください（同梱品）
ご購入後、はじめに必ず実施いただく内容を説明しています。
- CS-800 セーフティーガイド（同梱品）
本製品を安全にご使用いただくための注意点を説明しています。
- CS-800 クイックガイド（本書、同梱品）
主に各部の名称、セットアップ手順、設置方法など本製品の使い方の概要や、関連するその他の情報の入手先などについて説明しています。
- CS-800 ユーザーガイド
本製品の詳しい使い方を説明しています。また、本体の設定や操作をコンピューター上で行うヤマハ CS マネージャーについて説明しています。

ユーティリティーソフトウェアの構成

本製品には、オプションのユーティリティーソフトウェアが用意されています。ソフトウェアの詳しい情報については、CS-800 ユーザーガイドをご参照ください。

- ヤマハ CS マネージャー
本体の設定や操作をコンピューター上で行うソフトウェアです。

ファームウェアのアップデート

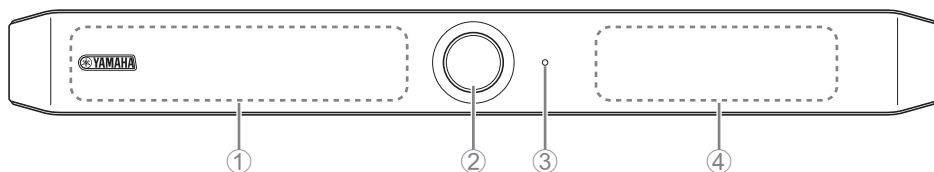
本製品は、操作性の向上や機能の追加、不具合の修正のために、本体のファームウェアをアップデートできる仕様になっています。

ファームウェアのアップデートに関する情報は、ヤマハ ウェブサイトに掲載されていません。

アップデートの手順や本体の設定については、CS-800 ユーザーガイドをご参照ください。

各部の名称と機能

前面



① マイク

② カメラ

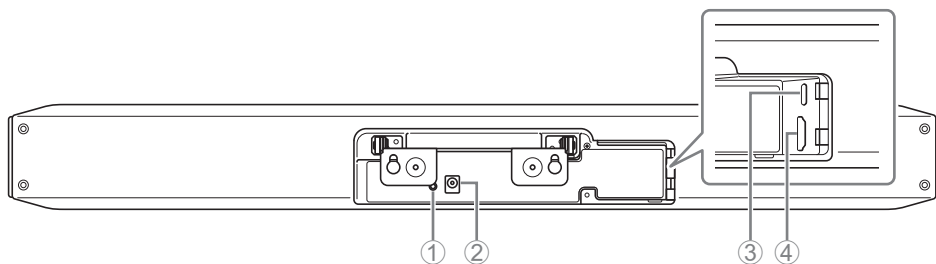
③ ステータスインジケータ

本体の状態を表示します。

インジケータの状態		本製品の状態
白（点灯）		スタンバイ状態
水色（点灯）		カメラ動作中
緑（点灯）		通話中
赤（点灯）		マイクミュート中
白（点滅）	0.361 回 / 秒	起動中
消灯		電源オフ / 省電力待機状態
白（点滅）	0.3 回 / 秒	モニターオフ状態
橙（点滅）	1 回 / 秒	ファクトリーリセット / HDMI 接続・ DisplayLink 機能・Bluetooth の有効化
青（点滅）	1 回 / 秒	リモコンまたはスマートデバイスのペアリング中
青（点灯）	3 秒間	リモコンのペアリング完了通知
緑（点滅）	2 回 / 秒	着信中
赤（点滅）	2.5 回 / 秒	ハードウェアエラー

④ スピーカー

背面



① [FUNCTION] ボタン

本体とリモコンをペアリングしたり（212 ページ）、本体を工場出荷時の状態に戻したり（221 ページ）するとき 사용합니다。

② [DC-IN] 端子

AC アダプターを接続します。背面の [DC-IN] 端子に接続してから、コンセントに接続します。

AC アダプターを接続すると本体の電源がオンになります。

③ [USB] 端子 (C タイプ)

本体とコンピューターを接続するための端子です。

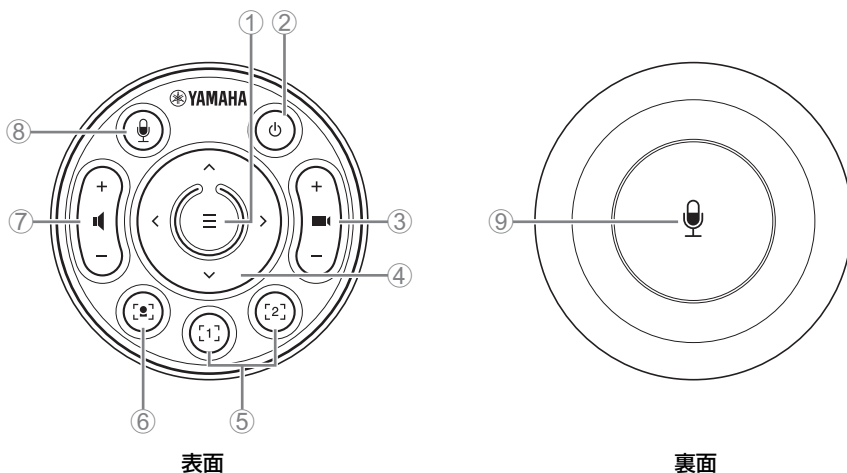
コンピューターの画面を表示したり、本体の設定をしたりするとき 사용합니다。接続には同梱の USB ケーブル (C-A タイプ) をご使用ください。本体の設定については、CS-800 ユーザーガイドをご参照ください。

④ [HDMI] 端子

本体とテレビを接続するための端子です。

[USB] 端子に接続したコンピューターの画面や、本体の操作ガイドをテレビに表示します。

リモコン



① メニューボタン

テレビにメニュー画面を表示したり、本体とリモコンをペアリング (212 ページ) したりするときに使用します。

② 電源ボタン

CS-800 の電源をオン / スタンバイします。

③ カメラ ズームボタン

④ パン / チルトボタン

⑤ カメラ プリセット 1/2 ボタン

⑥ スマートフレーミングボタン

⑦ スピーカー ボリュームボタン

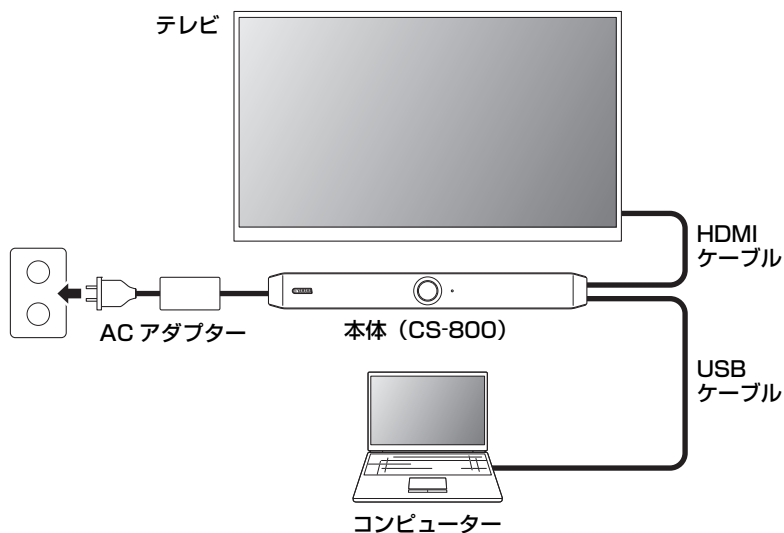
⑧ ⑨ マイク ミュートボタン

接続と準備

接続例

■ 持ち込み PC 使用時

ビデオ会議を行う場所に、その都度コンピューターを持ち込む環境で使用します。

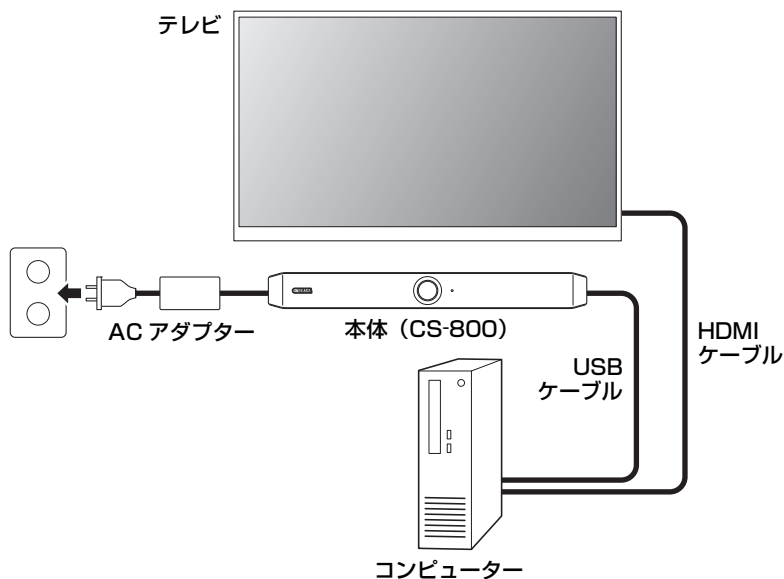


同梱の HDMI ケーブルの一端を本体の [HDMI] 端子に接続し、もう一端をテレビに接続します。

同梱の USB ケーブルの一端を本体の [USB] 端子に接続し、もう一端をコンピューターに接続します。

■ 常設 PC 使用時

ビデオ会議を行う場所に、ビデオ会議専用のコンピューターやタブレットが設置してある環境で使用します。

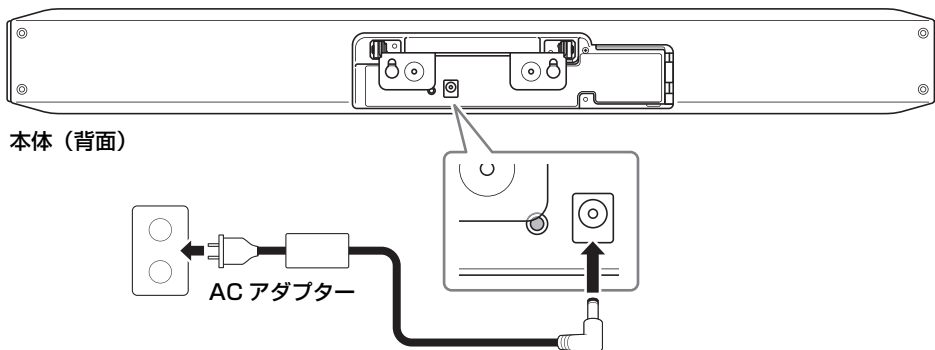


同梱の HDMI ケーブルの一端をコンピューターに接続し、もう一端をテレビに接続します。

同梱の USB ケーブルの一端を本体の [USB] 端子に接続し、もう一端をコンピューターに接続します。

電源

同梱の AC アダプターの一端を本体の [DC IN] 端子に接続し、もう一端をコンセントに差し込みます。

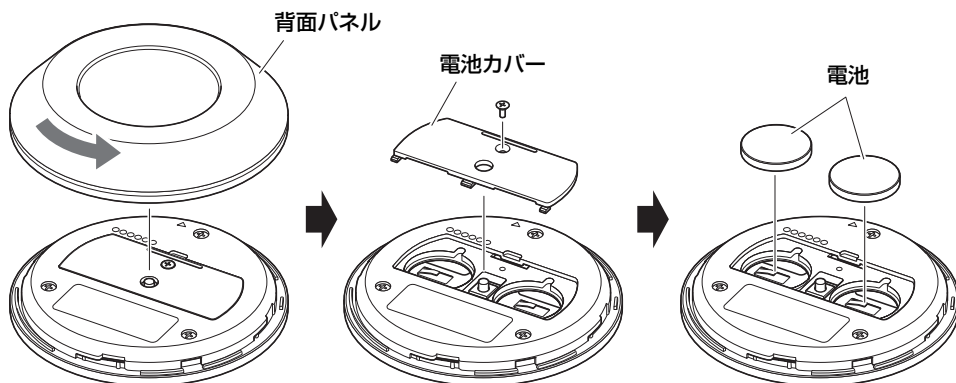


AC アダプターを接続すると本体の電源がオンになります。

お知らせ

電源の接続をしたあとは、リモコンの電源ボタンで本体の電源をオン / スタンバイできます。

リモコンに電池を入れる / 交換する

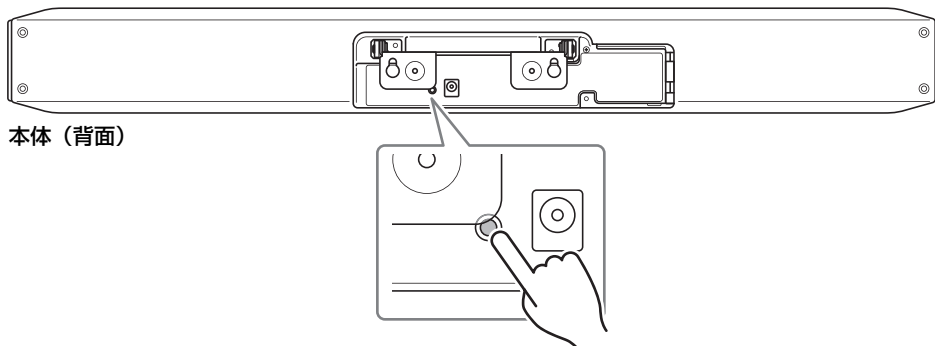


リモコン背面パネルと電池カバーを外し、電池（CR2032、2 個）を入れます。

リモコンと本体のペアリング

リモコンから操作できるようにするため、以下の手順で本体とペアリングしてください。

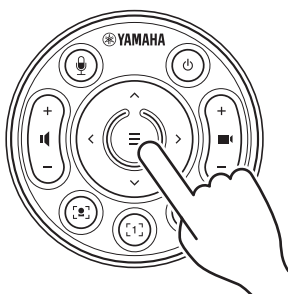
1. 本体の背面の [FUNCTION] ボタンを長押し（2秒以上）する



本体（背面）

本体の前面のステータスインジケータが青色で点滅します。

2. リモコンのメニューボタンを長押し（2秒以上）する



本体の前面のステータスインジケータが青色に3秒間点灯したら、ペアリング完了です。

持ち込みPC/スマートデバイス使用時に必要な設定をする

持ち込み PC/ スマートデバイス使用時には、HDMI 機能 /DisplayLink 機能 /Bluetooth を有効にする必要があります。

リモコンのメニューボタンとカメラ プリセット 2 ボタンを長押し（3秒以上）する



本体の前面のステータスインジケーターが、橙色に 0.5 秒間隔で 5 回点滅したら設定完了です。

DisplayLink® ドライバーをインストールする

持ち込み PC を使用する場合（209 ページ）、接続するコンピューターによっては、DisplayLink ドライバーのインストールが必要な場合があります。

最新のドライバーは、displaylink.com/downloads からダウンロードしてください。

コンピューターでデバイスを選択する

お使いのコンピューターで、既定のオーディオ再生・録音デバイスとして「Yamaha CS-800」を選択してください。また、お使いのユニファイドコミュニケーションアプリケーションで、ビデオデバイス／オーディオデバイスとして CS-800 を選択してください。

テレビ画面上で本体を設定する（OSDメニュー）

OSD（On-Screen Display）メニューは、本体の設定画面をテレビに表示する機能です。リモコンから操作できます。

お知らせ

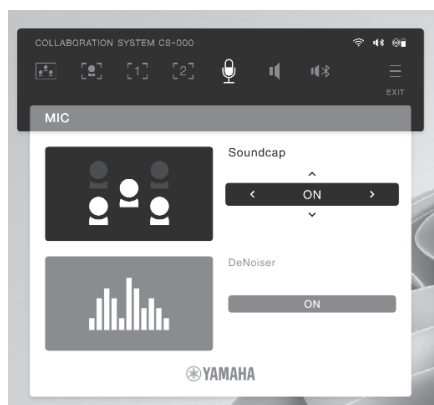
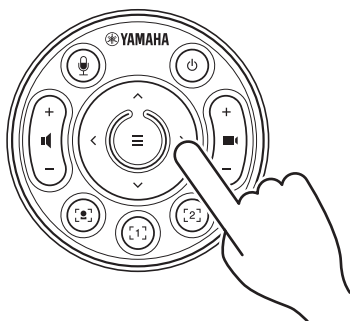
- ・ 本機能は、テレビと CS-800 が HDMI ケーブルで接続された環境で使用できます。テレビとコンピューターが HDMI ケーブルで接続された環境では使用できません。
- ・ 本機能を使用するには、「持ち込み PC/ スマートデバイス使用時に必要な設定をする」（213 ページ）を先に行ってください。

設定メニューの操作方法

1. リモコンのメニューボタンを押す

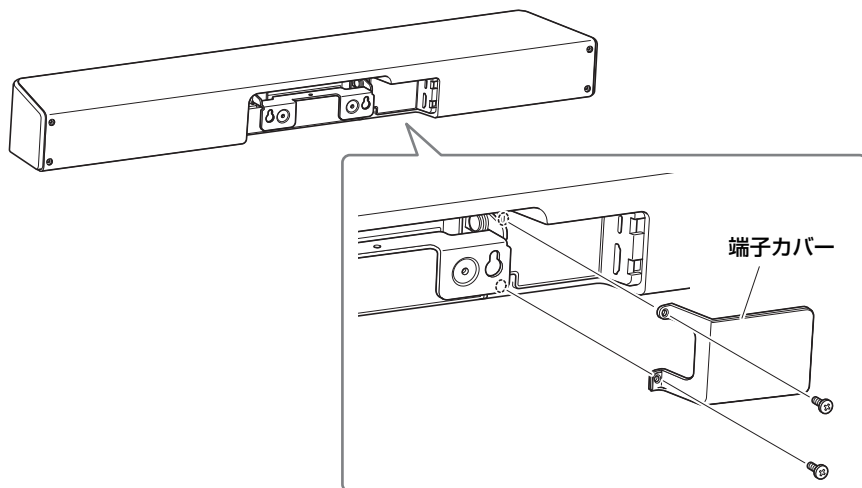
テレビに設定メニューが表示されます。

2. リモコンのパン / チルトボタンで操作する



端子カバーの取り付け

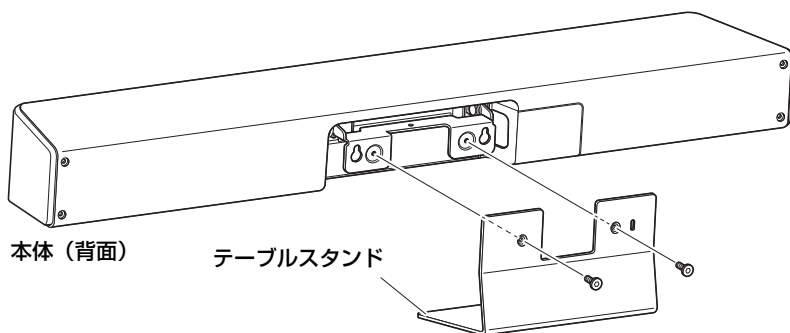
端子カバーを同梱のネジで本体に取り付けます。



テーブルスタンドの取り付け

同梱品のテーブルスタンドを本体に取り付けます。

1. テーブルスタンドを同梱のネジで本体に取り付ける



マウントブラケットの取り付け



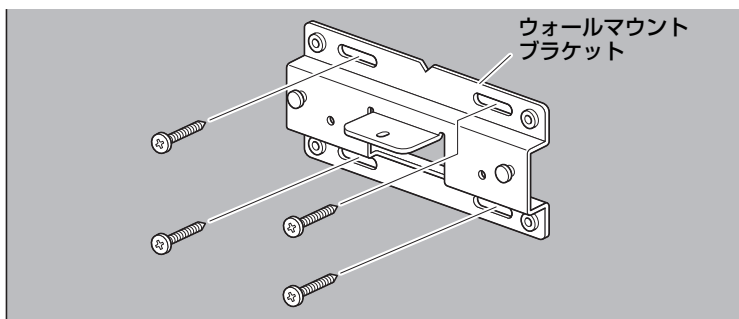
警告

- ・ マウントブラケットの取り付けは、必ずお買い上げの販売店または専門の施工業者に依頼してください。
- ・ 設置後、CS-800 がしっかりと固定されていることを確認してください。また、落下や転倒の可能性がないか定期的に点検してください。誤った設置により起きた事故について、責任を負いかねますのでご了承ください。
- ・ 設置後、CS-800 にもたれかかったり、上から強い力をかけたりしないでください。落下による、けがや破損の原因になります。

壁への取り付け

同梱品のウォールマウントブラケットを使用して、壁に本体を取り付けることができます。

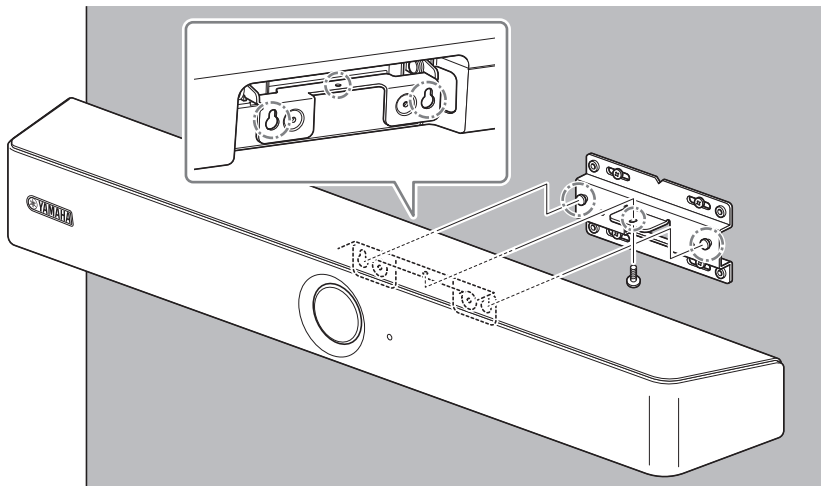
1. ウォールマウントブラケットを壁に取り付ける



重要

- ・ 壁に固定するネジは同梱品に含まれません。十分な強度を確保できるネジをご用意ください。
- ・ ネジや取り付けについては、必ずお買い上げの販売店または専門の施工業者にお問い合わせください。

2. 本体を 1 にひっかける

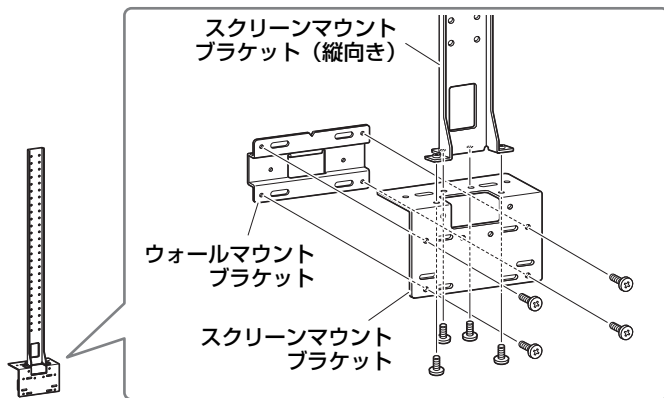


3. ウォールマウントブラケットの下側から、同梱のネジで本体を固定する

スクリーンマウントブラケット (VESA) の取り付け

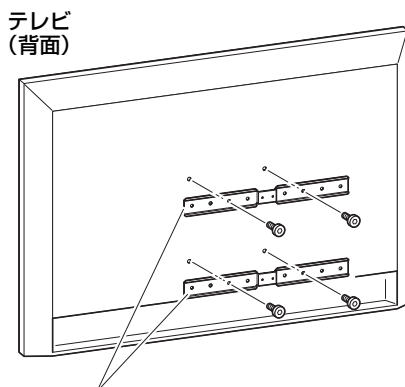
別売品のスクリーンマウントブラケット BRK-TV1 を使用してテレビに本体を取り付けます。下記は、テレビのネジ穴をテレビスタンドと一緒に使用する場合の例です。

1. スクリーンマウントブラケット (縦向き) とスクリーンマウントブラケット (ウォールマウントブラケット取り付け部品)、ウォールマウントブラケットを同梱のネジで取り付ける



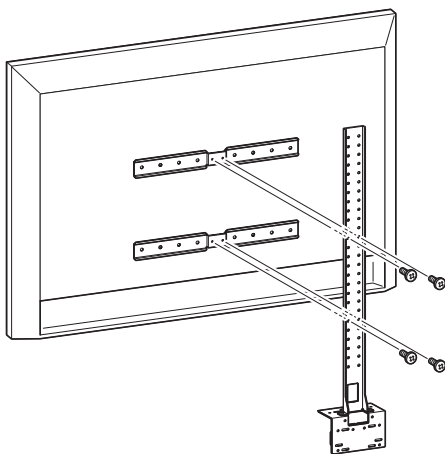
マウントブラケットの取り付け

2. スクリーンマウントブラケット（横向き）2本を、同梱のネジでテレビに取り付ける



スクリーンマウントブラケット（横向き）

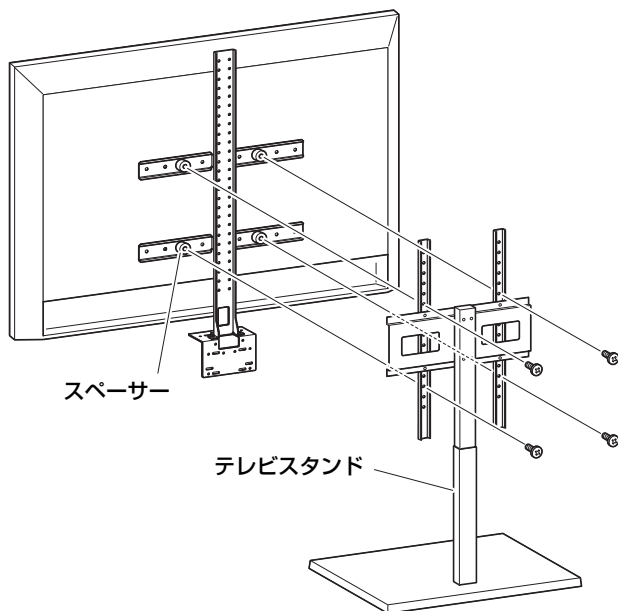
3. 2に1を取り付ける



重要

テレビに合わせて取り付け位置を調整してください。

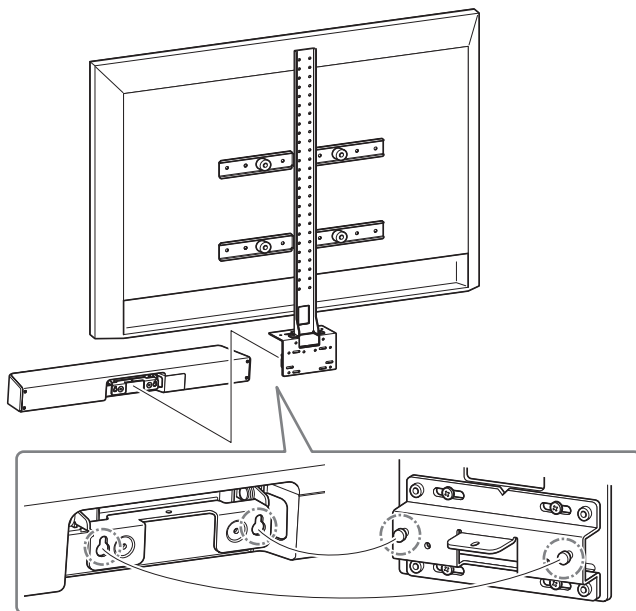
4. テレビスタンドに取り付ける



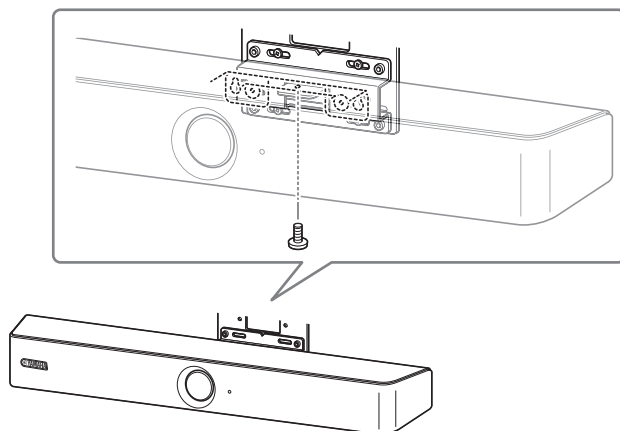
重要

テレビスタンドの形状によっては、別売品のスクリーンマウントブラケット BRK-TV1 に同梱されているスパーサーと一緒に重ねて締めてください。

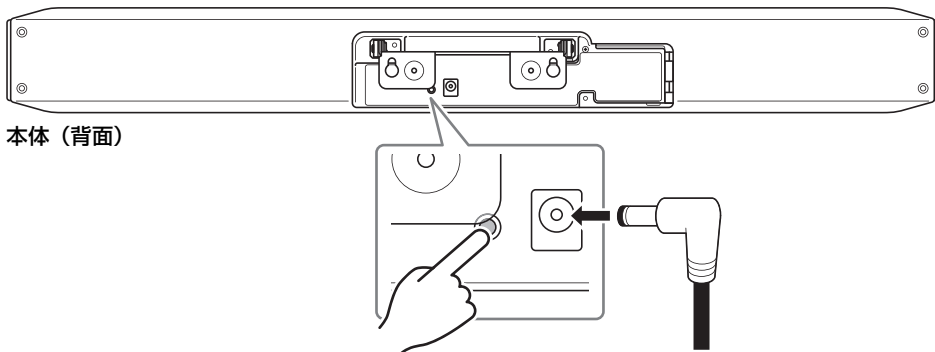
5.1 のウォールマウントブラケットに本体をひっかける



6. 本体の下側から同梱のネジで固定する



工場出荷時の状態に戻す（ファクトリーリセット）



本体（背面）

本体を工場出荷の状態に戻すには、[FUNCTION] ボタンを押したまま、電源ケーブルを接続して本体を起動します。電源ケーブル接続後も、[FUNCTION] ボタンを5秒以上押したままにします。本体正面のステータスインジケータが、橙色の点滅から白色の点灯に変わると工場出荷時の状態に戻ります。

主な仕様

寸法	W 620 mm × D 90 mm × H 70 mm	
質量	1.7 kg	
電源	DC 20 V/2.1 A、CW2002100 (100 V ~ 240 V、50 Hz/60 Hz) 	
最大消費電力	42 W	
温度	動作	0 °C ~ 40 °C
	保管	-20 °C ~ 60 °C
湿度	動作	20% ~ 85%（結露しないこと）
	保管	20% ~ 85%（結露しないこと）
同梱品	CS-800 本体、はじめにお読みください、セーフティーガイド、クイックガイド（本書）、保証書、USB 2.0 ケーブル（C-A タイプ）、HDMI ケーブル、レンズキャップ、端子カバー、リモコン、コイン電池（CR2032、2 個）、AC アダプター（CW2002100、電源コード含む）、テーブルスタンド、ウォールマウントブラケット、取り付けネジ、六角レンチ	
別売品	スクリーンマウントブラケット（VESA マウントアクセサリ）BRK-TV1、USB 光ケーブル「CBL-L10AC」「CBL-L25AC」	

Yamaha Global Site
U.S.A. and Canada
<https://uc.yamaha.com/>
Other Countries
<https://www.yamaha.com/>

Yamaha Downloads
U.S.A. and Canada
<https://uc.yamaha.com/support/>
Other Countries
<https://download.yamaha.com/>